

"THIS DRAWING AND THE SPECIFICATIONS CONTAINED HEREIN ARE CONFIDENTIAL AND PROPRIETARY. THEY ARE THE PROPERTY OF DIGITAL EQUIPMENT CORPORATION AND SHALL NOT BE REPRODUCED OR COPIED OR USED IN WHOLE OR IN PART AS THE BASIS FOR THE MANUFACTURE OR SALE OF ITEMS WITHOUT WRITTEN PERMISSION. THIS IS AN UNPUBLISHED WORK PROTECTED UNDER THE FEDERAL COPYRIGHT LAWS. 1985

FOR MODULE UTILIZATION SEE SHEET 4

14  
15 OR 16  
OR  
25

A  
(SH 3)

B  
(SH 3)

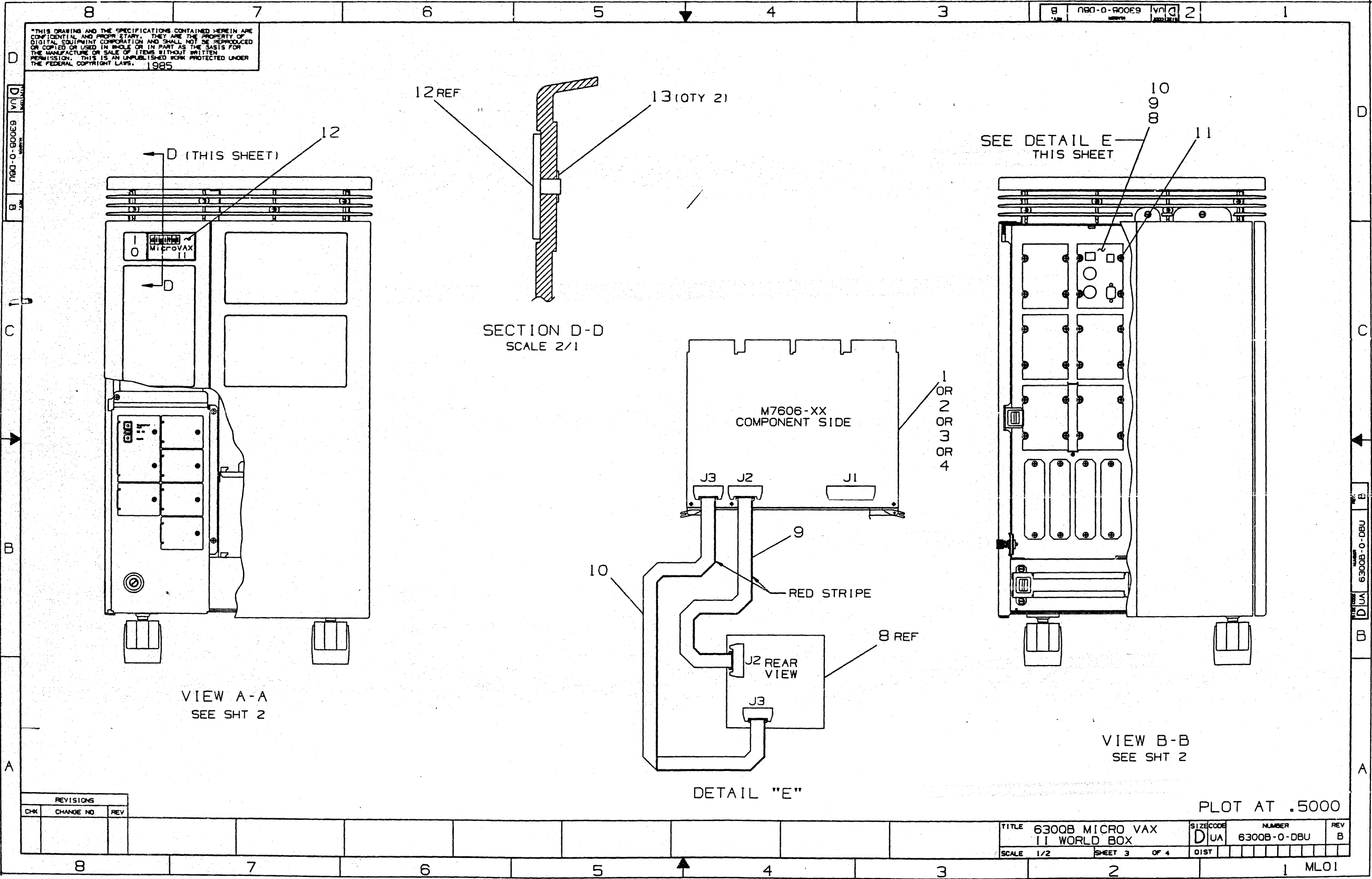
PLOT AT .50

REVISIONS		
CHK	CHANGE NO	REV

TITLE	6300B MICRO VAX II WORLD BOX	SIZE CODE	D UA	NUMBER	6300B-0-DBU	REV	B
SCALE	1/2	SHEET	2	OF	4	DIST	



\*THIS DRAWING AND THE SPECIFICATIONS CONTAINED HEREIN ARE CONFIDENTIAL AND PROPRIETARY. THEY ARE THE PROPERTY OF DIGITAL EQUIPMENT CORPORATION AND SHALL NOT BE REPRODUCED OR COPIED OR USED IN WHOLE OR IN PART AS THE BASIS FOR THE MANUFACTURE OR SALE OF ITEMS WITHOUT WRITTEN PERMISSION. THIS IS AN UNPUBLISHED WORK PROTECTED UNDER THE FEDERAL COPYRIGHT LAWS. 1985



REVISIONS		
CHK	CHANGE NO	REV

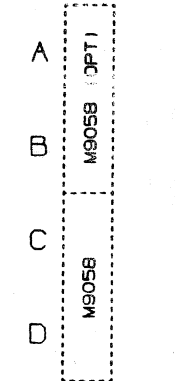
TITLE	6300B MICRO VAX II WORLD BOX	SIZE/CODE	D/UA	NUMBER	6300B-0-DBU	REV	B
SCALE	1/2	SHEET	3	OF	4	DIST	

PLOT AT .5000

MLO1

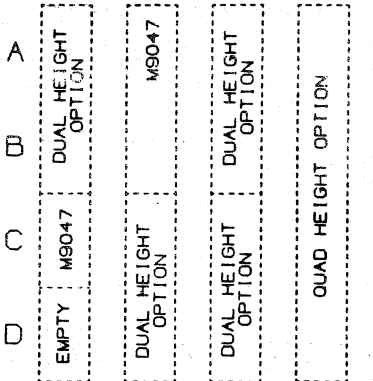
THIS DRAWING AND THE SPECIFICATIONS CONTAINED HEREIN ARE CONFIDENTIAL AND PROPRIETARY. THEY ARE THE PROPERTY OF DIGITAL EQUIPMENT CORPORATION AND SHALL NOT BE REPRODUCED OR COPIED OR USED IN WHOLE OR IN PART AS THE BASIS FOR THE MANUFACTURE OR SALE OF ITEMS WITHOUT WRITTEN PERMISSION. THIS IS AN UNPUBLISHED WORK PROTECTED UNDER THE FEDERAL COPYRIGHT LAWS. 1985

THE MODULE UTILIZATION FOR 13TH SLOT SEE NOTE 9



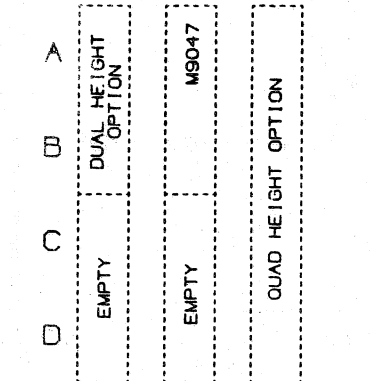
13

POSSIBLE MODULE UTILIZATIONS FOR SLOTS 5-12 ARE AS FOLLOWS (SEE NOTES 7 AND 8 THIS SHT):



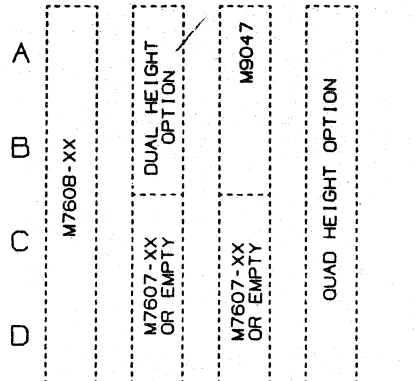
5-12

POSSIBLE MODULE UTILIZATIONS FOR SLOT 4 ARE AS FOLLOWS



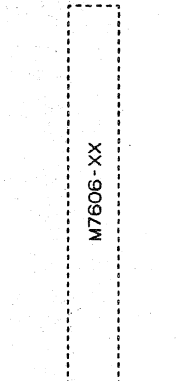
4

POSSIBLE MODULE UTILIZATIONS FOR SLOTS 2 AND 3 ARE AS FOLLOWS (SEE NOTES 5, 6, 7 AND 8 THIS SHT):



2-3

THE MODULE UTILIZATION FOR THE FIRST SLOT IS AS FOLLOWS:

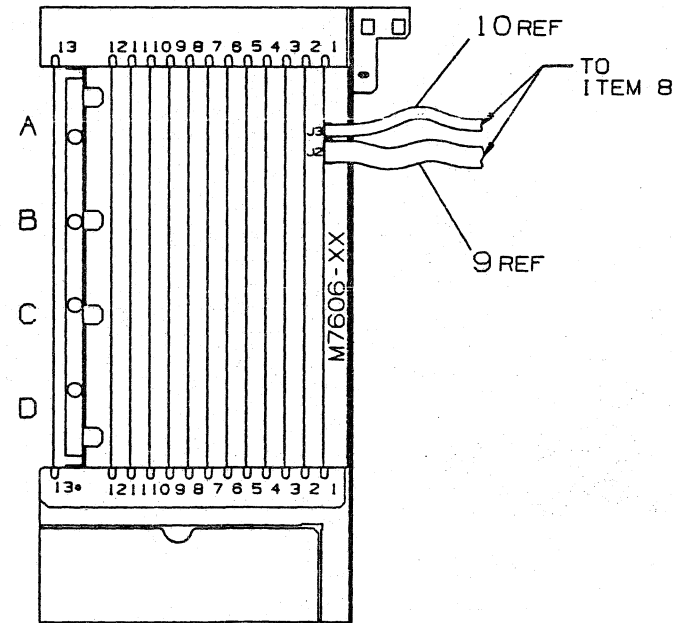


1

	12	11	10	9	8	7	6	5	4	3	2	1
XZ1	Q-BUS (20)	Q-BUS (18)	Q-BUS (16)	Q-BUS (14)	Q-BUS (12)	Q-BUS (10)	Q-BUS (8)	Q-BUS (6)	Q-BUS (4)	Q-BUS (3)	Q-BUS (2)	Q-BUS (1)
XZ2	Q-BUS (19)	Q-BUS (17)	Q-BUS (15)	Q-BUS (13)	Q-BUS (11)	Q-BUS (9)	Q-BUS (7)	Q-BUS (5)	Q-BUS (4)	Q-BUS (3)	Q-BUS (2)	Q-BUS (1)
XZ3	CD	CD	CD	CD	CD	CD	CD	CD	CD	CD	CD	CD
XZ4	A-B	A-B	A-B	A-B	A-B	A-B	A-B	A-B	A-B	A-B	A-B	A-B

SEE NOTE 4

SEE NOTES 1, 2 AND 3 THIS SHT



MODULE UTILIZATION

NOTES:

- BACKPLANE VIEWS ARE FROM THE MODULE SIDE
- THE AB ROWS OF SLOTS 1-12 AND THE CD ROWS OF SLOTS 5-12 ARE EACH LABELED "Q-BUS" BECAUSE THEY ARE INTERCONNECTED PER THE Q-BUS SPECIFICATION. THE NUMBER IN PARENTHESIS SHOWS THE PATH OF INTERRUPT AND DMA GRANT CONTINUITY; INCREASING VALUE DENOTES DECREASING PRIORITY.
- THE CD ROWS OF SLOTS 1-4 ARE LABELED "CD" BECAUSE THEY ARE CONNECTED PER THE "CD INTERCONNECT" SPECIFICATION. THIS INTERCONNECT CONNECTS SELECTED SIDE TWO PINS OF A GIVEN SLOT TO SIDE ONE PINS OF THE NEXT SLOT.
- THE BACKPLANE INCLUDES FOUR RESISTOR PACKS IN LOCATIONS XZ1, XZ2, XZ3 AND XZ4. THESE RESISTOR PACKS PROVIDE AN ADDITIONAL 120 OHMS OF TERMINATION TO THE Q-BUS LINES.
- THE SYSTEM MAY CONTAIN UP TO TWO MS630 MEMORY MODULES, LOCATED IN SLOTS 2 AND 3 (A SINGLE MS630 MODULE MUST BE LOCATED IN SLOT 2). A QUAD HEIGHT MS630 (M7608-A(X) OR M7608-B(X)) FILLS THE ENTIRE SLOT. A DUAL HEIGHT MS630 (M7607-A(X)) OCCUPIES THE CD ROWS ONLY.
- IF SLOTS 2 AND 3 (OR SLOT 3) ARE NOT USED FOR MS630 MEMORY MODULE(S), AND ARE NOT REQUIRED FOR Q-BUS OPTIONS, THEN RESERVE THEM (IT) FOR FUTURE MEMORY MODULE EXPANSION WITH M9047 GRANT CONTINUITY CARD(S) IN ROW AB.
- QUAD HEIGHT Q-BUS OPTIONS MAY BE ADDED TO ANY OPEN SLOTS, AND DUAL HEIGHT Q-BUS OPTIONS MAY BE ADDED TO ANY OPEN "Q-BUS" HALF SLOTS. ALL UNUSED "Q-BUS" HALF SLOTS WHICH PRECEDED THE LAST OPTION MUST CONTAIN GRANT CONTINUITY MODULES (M9047) TO PASS GRANTS TO MODULES OF A LOWER PRIORITY. UNUSED "CD" HALF SLOTS ARE LEFT VACANT. (NOTES 2 AND 3 IDENTIFY THE "Q-BUS" AND "CD" HALF SLOTS).
- FOR MORE INFORMATION ON BACKPLANE SLOT ASSIGNMENTS, REFER TO THE SYSTEM TECHNICAL MANUAL.
- REF D-AR-7022380-0-DBU FOR MODULE UTILIZATION REQUIREMENTS.

PLOT AT .50

REVISIONS		
CHK	CHANGE NO	REV

TITLE	6300B MICRO VAX 11 WORLD BOX	SIZE CODE	D1UA	NUMBER	6300B-0-DBU	REV	B
SCALE	1/2	SHEET	4	OF	4	DIST	

LINE	ITEM	TOP DOCUMENT	PART NUMBER	MIN REV	DESCRIPTION	QTY PER VARIATION							
						A2	A3	B2	B3	C2	C3	D2	D3
1	1	B-DD-M7606-0-0	M7606-AA		MICROVAX II W/1MB.FP,INCLUDES TI	1	1	-	-	-	-	-	-
2	2	B-DD-M7606-0-0	M7606-BA		M7606-AA W/NO FP (CPU,1MB) = M76	-	-	1	1	-	-	-	-
3	3	B-DD-M7606-0-0	M7606-CA		M7606-AA W/256KB MEM (CPU,256KB,	-	-	-	-	1	1	-	-
4	4	B-DD-M7606-0-0	M7606-DA		M7606-AA W/256KB MEM,NO FP = M76	-	-	-	-	-	-	1	1
5	5	K-PL-7022382-0-DBP	7022382-02		BA123-A ACCESSORY KIT	1	1	1	1	1	1	1	1
6	6	B-DD-7022380-0-DBU	7022380-01		BA123-A BASIC ENCLOSURE (120V)	1	-	1	-	1	-	1	-
7	7	B-DD-7022380-0-DBU	7022380-02		BA123-A BASIC ENCLOSURE (240V)	-	1	-	1	-	1	-	1
8	8	B-DD-5416744-0-0	5416744-01		FUNCTION SEL/SLU CONSOLE CONNECT	1	1	1	1	1	1	1	1
9	9	A-PS-1700712-0-0	1700712-02	A	WIRE HARN ASSY 20COND 30AWG 20SK	1	1	1	1	1	1	1	1
10	10	A-PS-1700624-0-0	1700624-01	A	CABLE ASSY,10COND,FLAT,10(2X05)I	1	1	1	1	1	1	1	1
11	11	A-PS-9010174-0-0	9010174-00	C	SCREW,SEMS PAN PHIL 6-	4	4	4	4	4	4	4	4
12	12	D-MD-7431480-0-0	7431480-03	A	MEDALLIAN SYSTEM LOGO (630QB)	1	1	1	1	1	1	1	1
13	13	A-PS-9009257-0-0	9009257-02	D	RING,RETAINER EXTERNAL FOR .188	2	2	2	2	2	2	2	2
14	14	A-PS-3617880-0-0	3617880-02		LABEL,FCC,CLASS A,PROCESSOR	1	1	1	1	1	1	1	1
15	15	A-PS-3624471-0-0	3624471-01	A	LABEL,BUSINESS COMP BA123-A2	1	-	1	-	1	-	1	-
16	16	A-PS-3624471-0-0	3624471-02	A	LABEL,BUSINESS COMP BA123-A3	-	1	-	1	-	1	-	1
17	17	A-PS-1700198-0-0	1700198-00	B	PWR CORD,TERM 3-18 250	-	REF	-	REF	-	REF	-	REF
18	18	A-PS-1700199-0-0	1700199-00	A	PWR CORD,TERM 3 250	-	REF	-	REF	-	REF	-	REF
19	19	A-PS-1700209-0-0	1700209-00	A	PWR CORD,TERM 3- .75MM 5A 250	-	REF	-	REF	-	REF	-	REF
20	20	A-PS-1700210-0-0	1700210-01	A	PWR CORD,TERM 3- .75MM 250V 6	-	REF	-	REF	-	REF	-	REF
21	21	A-PS-1700310-0-0	1700310-01	A	PWR CORD,TERM 3- .75MM 250	-	REF	-	REF	-	REF	-	REF
22	22	A-PS-1700364-0-0	1700364-01	A	PWR CORD,TERM 3- .75MM 250V	-	REF	-	REF	-	REF	-	REF
23	23	D-AR-7022380-0-DBU			BA123-A SYSTEM ARRANGEMENT	REF	REF	REF	REF	REF	REF	REF	REF
24	24	B-DD-M9047-0-0	M9047-00		QBUS GRANT CONTINUITY,1ST USED I	A/R	A/R	A/R	A/R	A/R	A/R	A/R	A/R
25	25	A-PS-3617674-0-0	3617674-22		LABEL,SERIAL/POWER,W/UL & CSA MA	A/R	A/R	A/R	A/R	A/R	A/R	A/R	A/R

REVISION HISTORY			BASIC PART NO: 630QB			DRN: D. RICHARD			DATE: 19-FEB-85			D I G I T A L			
ENG	ECO NUMBER	REV	SECTION A OF A			CHK'D: D. HEALY			DATE: 19-MAR-85			TITLE PARTS LIST			
JN	630QB-ML001	B	SECTION VARIATION INDEX [A]A2,A3,B2,B3,C2,C3, D2,D3			DES.ENG: J. NICHOLS			DATE: 19-MAR-85			630QB MICRO VAX II WORLD BOX			
			[B]				RESP.ENG.: J. NICHOLS			DATE: 19-MAR-85			DOCUMENT NUMBER		
			[C]				MFG.ENG.: K. WORTMAN			DATE: 19-MAR-85			SIZE CODE NUMBER REV		
			[D]				ASSEMBLY NUMBER:			TOP DOCUMENT NUMBER:			FILE NAME: EDIT #		
			[E]				D-UA-630QB-0-DBU			B-DD-630QB-0-DBU			ML863B.PLS 14		
			[F]												

"THIS DRAWING AND THE SPECIFICATIONS CONTAINED HEREIN ARE CONFIDENTIAL AND PROPRIETARY. THEY ARE THE PROPERTY OF DIGITAL EQUIPMENT CORPORATION AND SHALL NOT BE REPRODUCED OR COPIED OR USED IN WHOLE OR IN PART AS THE BASIS FOR THE MANUFACTURE OR SALE OF ITEMS WITHOUT WRITTEN PERMISSION. THIS IS AN UNPUBLISHED WORK PROTECTED UNDER THE FEDERAL COPYRIGHT LAWS."

AUTOMATED BY PRTLST.5R(55)

PARTS LIST

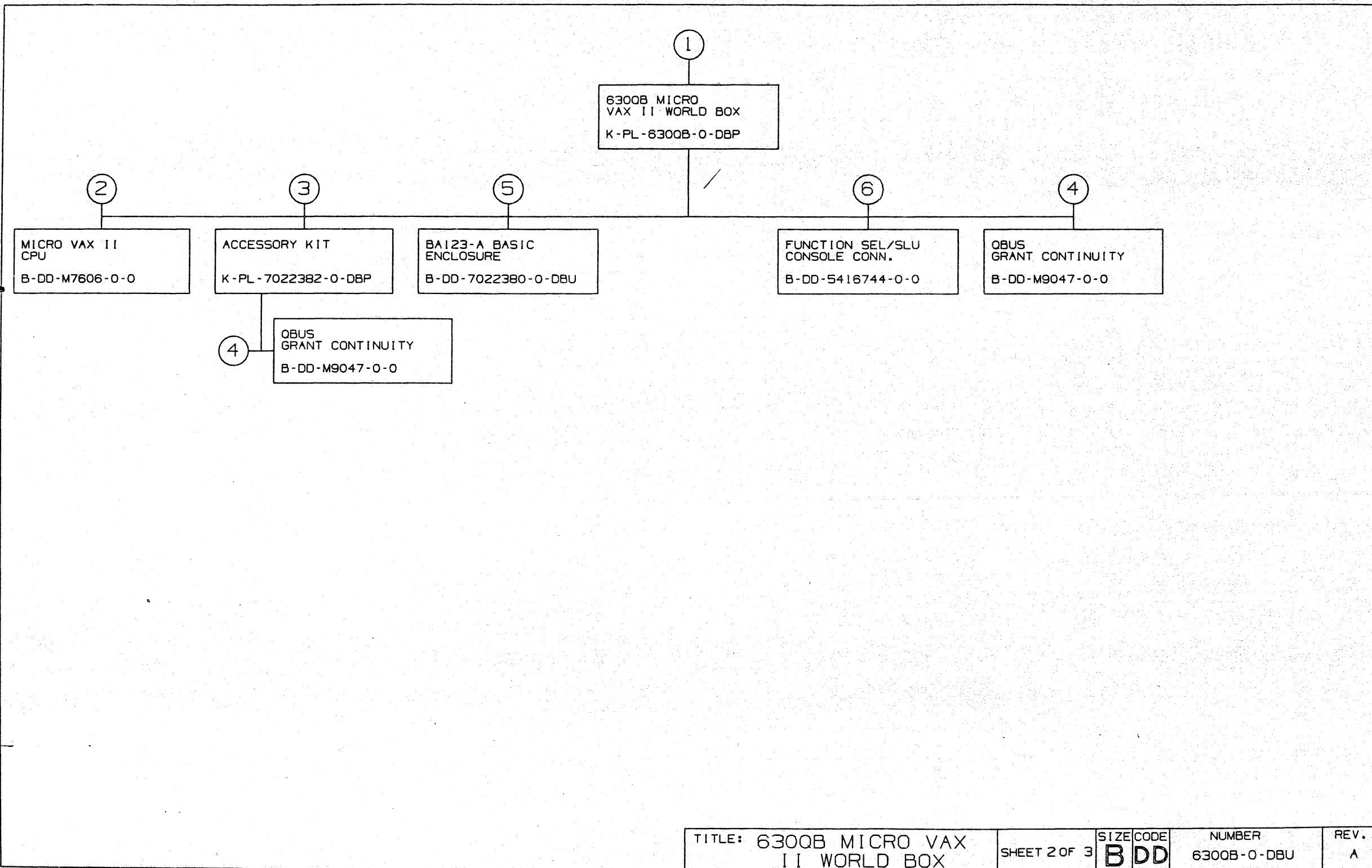
SHEET A2 OF A2

LINE ITEM	TOP DOCUMENT	PART NUMBER	MIN REV	DESCRIPTION	QTY PER VARIATION								
					A2	A3	B2	B3	C2	C3	D2	D3	
					VARIATION REVISION LEVEL:								
					A2	A2	A2	A2	A2	A2	A2	A2	A2

26 NOTE: DEPENDING ON RAM VENDOR, MODULE MAY BE STAMPED AD/AH, BC/BH, CC/CH, DC/DH

D I G I T A L	TITLE	630QB MICRO VAX II WORLD BOX	SECTION A OF A	SIZE	CODE	DOCUMENT NUMBER	REV
				K	PL	630QB-0-DBP	B





TITLE: 6300B MICRO VAX II WORLD BOX	SHEET 2 OF 3	SIZE CODE <b>B DD</b>	NUMBER 6300B-0-DBU	REV. A
-------------------------------------	--------------	--------------------------	-----------------------	-----------

FIND NO.	DRAWING NO.	DESCRIPTION	TYPE	FIND NO.	DRAWING NO.	DESCRIPTION	TYPE
1	MP-02071-01	6300B MICRO VAX II WORLD BOX (MP)	-				
	B-TC-6300B-0-DBU	6300B MICRO VAX II WORLD BOX (TC)	-				
	D-UA-6300B-0-DBU	6300B MICRO VAX II WORLD BOX	E/M				
	K-PL-6300B-0-DBP	6300B MICRO VAX II WORLD BOX (PL)	E/M				
	A-PS-1700712-0-0	CABLE ASSY, 20 PIN	E/M				
	A-PS-1700624-0-0	CABLE CONSOLE BACKPLANE	E/M				
	D-MD-7431480-0-DBU	MEDALLIAN SYSTEM LOGO (6300B)	E/M				
	A-PS-3617880-0-0	LABEL, FCC CLASS A PROCESSOR	M				
	A-PS-3624471-0-0	LABEL, BUSINESS COMPUTER	M				
2	B-DD-M7606-0-0	MICRO VAX II CPU	E/M				
3	K-PL-7022382-0-DBP	ACCESSORY KIT	E/M				
	A-PS-1700301-0-0	CABLE ASSY, 7 COND	E/M				
	A-PS-3622092-0-0	LABEL, LCPS CONFIGURATION	M				
	A-PS-3624251-0-0	LABEL, MULTI LINGUAL F. PANEL	M				
4	B-DD-M9047-0-0	0 BUS GRANT CONTINUITY CARD	E/M				
5	B-DD-7022380-0-DBU	BA123-A BASIC ENCLOSURE	E/M				
6	B-DD-5416744-0-0	FUNCTION SEL/SLU CONSOLE CONN.	E/M				

TYPE: E ELECTRICAL  
M MECHANICAL  
E/M ELECTRO/MECHANICAL



TITLE: 6300B MICRO VAX II WORLD BOX


SHEET 3 OF 3

SIZE CODE  
**B DD**

NUMBER  
6300B-0-DBU

REV.  
A



DRAWING NO.	NO. OF SHTS	PART NO.	DESCRIPTION	REVISIONS																	
				B1	C1	D1	E1	F1													
		M7606	KA630	A	A	B	B	B													
D-UA-M7606-0-0	1		KA630 UNIT ASSEMBLY	A	A	B	B	B													
K-PL-M7606-0-DBP	2		KA630 PARTS LIST	A	B	C	D	E													
K-PC-M7606-0-DBJ	1		P.C. DESIGN DATA BASE	E	E	E	E	E													
		5016523-01	ETCHED CIRCUIT BOARD	E1	E1	E1	E1	E1													
B-DD-5016523-0-0	1		DRAWING DIRECTORY	A	A	A	A	A													
B-CS-M7606-0-1	1		M7606 DRAWING DIRECTORY	-	B	B	B	B													
B-CS-M7606-0-2	1		MICROVAX II SYSTEM	-	B	B	B	B													
B-CS-M7606-0-3	1		KA630-UVAX ON Q22 BUS	-	B	B	B	B													
B-CS-M7606-0-4	1		UVAX & FPU	-	B	B	B	B													
B-CS-M7606-0-5	1		UVAX & FPU PINOUTS	-	-	-	-	-													
B-CS-M7606-0-6	1		ADDRESS LATCH/LOCAL MEMORY DECODE	-	B	B	B	B													
B-CS-M7606-0-7	1		MEMORY SUBSYSTEM	-	B	B	B	B													
B-CS-M7606-0-8	1		Q22 BUS INTERFACE GATE ARRAY	-	B	B	B	B													
B-CS-M7606-0-9	1		Q22 BUS INTERFACE GATE ARRAY	-	B	B	B	B													
B-CS-M7606-0-10	1		DC380 PAD ASSIGNMENT TOP VIEW LL5320 IN 144 PIN GRID ARRAY	-	B	B	B	B													
B-CS-M7606-0-11	1		REFRESH LOGIC/COUNTER	-	B	B	B	B													
B-CS-M7606-0-12	1		DIVIDE BY 12	-	B	B	B	B													
B-CS-M7606-0-13	1		SYNCHRONOUS 3 BIT COUNTER	-	B	B	B	B													
<b>NOTES:</b>				REVISION HISTORY		A	B	C	D	E											
				DATE	ECO NO.	INIT	MLO01	MLO02	MLO03	MLO04											
				5/84																	
				5/85																	
				6/85																	
<p>THIS DRAWING AND THE SPECIFICATIONS CONTAINED HEREIN ARE CONFIDENTIAL AND PROPRIETARY. THEY ARE THE PROPERTY OF DIGITAL EQUIPMENT CORPORATION AND SHALL NOT BE REPRODUCED OR COPIED OR USED IN WHOLE OR IN PART AS THE BASIS FOR THE MANUFACTURE OR SALE OF ITEMS WITHOUT WRITTEN PERMISSION. THIS IS AN UNPUBLISHED WORK PROTECTED UNDER THE FEDERAL COPYRIGHT LAWS.</p> <p style="text-align: right;">1984</p>								DRN.	D. DROZD	DATE	5/17/84	TITLE KA630 DOCUMENT NUMBER M7606-0-0 SHEET 1 OF 4									
								CHK'D	E. LANDRY	DATE	5/17/84										
								DES. ENG.	B. MASKAS	DATE	5/17/84										
								RESP. ENG.	B. MASKAS	DATE	5/17/84										
								MFG. ENG.	B. SCHULTE	DATE	9/24/84										



DRAWING NO.	NO. OF SHTS.	PART NO.	DESCRIPTION	REVISIONS															
				-	B	B	B	B											
B-CS-M7606-0-14	1		VECTOR HACK	-	B	B	B	B											
B-CS-M7606-0-15	1		INVERTING MUX LOGIC	-	B	B	B	B											
B-CS-M7606-0-16	1		4 to 1 MUX	-	B	B	B	B											
B-CS-M7606-0-17	1		Q-BUS SUPPORT LOGIC	-	B	B	B	B											
B-CS-M7606-0-18	1		BLK MD CTR LOGIC	-	B	B	B	B											
B-CS-M7606-0-19	1		TOGGLE FLOP	-	B	B	B	B											
B-CS-M7606-0-20	1		Q-BUS SUPPORT LOGIC	-	B	B	B	B											
B-CS-M7606-0-21	1		Q-BUS SUPPORT LOGIC	-	B	B	B	B											
B-CS-M7606-0-22	1		Q-BUS SUPPORT LOGIC	-	B	B	B	B											
B-CS-M7606-0-23	1		Q-BUS SUPPORT LOGIC	-	B	B	B	B											
B-CS-M7606-0-24	1		POWER BUFFER MACRO	-	B	B	B	B											
B-CS-M7606-0-25	1		BIDIRECT BUFFER	-	B	B	B	B											
B-CS-M7606-0-26	1		MUX LOGIC	-	B	B	B	B											
B-CS-M7606-0-27	1		TRANSLATION MAP GROUP	-	B	B	B	B											
B-CS-M7606-0-28	1		KA630 Q-BUS INTERFACE	-	B	B	B	B											
B-CS-M7606-0-29	1		UVAX INTERFACE GATE ARRAY	-	B	B	B	B											
B-CS-M7606-0-30	1		DC379 PAD ASSIGNMENT TOP VIEW LL5320 IN 144 PIN GRIP ARRAY	-	B	B	B	B											
B-CS-M7606-0-31	1		UVAX INTERFACE GATE ARRAY DATA PATH	-	B	B	B	B											
B-CS-M7606-0-32	1		UVDAL I/O BUFFERS, ADDR LATCHES	-	B	B	B	B											

**NOTES:**

REVISION HISTORY		REV.	A	B	C	D	E									
DATE	ECO NO.		INIT	MLO01	MLO02	MLO03	MLO04									
5/84																
5/85																
6/85																
7/85																
8/85																

THIS DRAWING AND THE SPECIFICATIONS CONTAINED HEREIN ARE CONFIDENTIAL AND PROPRIETARY. THEY ARE THE PROPERTY OF DIGITAL EQUIPMENT CORPORATION AND SHALL NOT BE REPRODUCED OR COPIED OR USED IN WHOLE OR IN PART AS THE BASIS FOR THE MANUFACTURE OR SALE OF ITEMS WITHOUT WRITTEN PERMISSION. THIS IS AN UNPUBLISHED WORK PROTECTED UNDER THE FEDERAL COPYRIGHT LAWS. 1984



DRN. D. DROZD	DATE 5/17/84	TITLE	
CHK'D E. LANDRY	DATE 5/17/84	KA630	
DES. ENG. B. MASKAS	DATE 5/17/84	DOCUMENT NUMBER	
RESP. ENG. B. MASKAS	DATE 5/17/84	SIZE B	CODE DD
MFG. ENG. B. SCHULTE	DATE 9/24/84	NUMBER M7606-0-0	REV. E
		SHEET 2 OF 4	







LINE	ITEM	TOP DOCUMENT	PART NUMBER	MIN REV DESCRIPTION	VARIATION REVISION LEVEL:	QTY PER VARIATION				REFERENCE DESIGNATOR
						AA	AC	AH	BA	
						E1	E1	E1	E1	
1	1	D-MD-5016523-0-0	5016523-01	CIRCUIT DRILL & ETCH		1	1	1	1	
2	2		1010279-01	.47 MFD 25V 20%	CER	6	6	6	6	C30-C35
3	3		1012784-00	.047 MFD 50V +80-20%	CER	7	7	7	7	C28,C1-C6
4	4		1013466-05	56.0 MMF 50V 5%	CER	1	1	1	1	C67
5	5		1013466-07	220.0 MMF 50V 5%	CER	1	1	1	1	C29
6	6		1014265-02	.33 MFD 50V +80-20%	CER	58	58	58	58	C7-C27,C42-C66,C68,C69,C71-C80
7	7		1017472-00	10 MFD 35V +75-10%	AL EL	3	3	3	3	C39-C41
8	8		1020446-05	22 MFD 16V +50-10%	AL EL	2	2	2	2	C37,C38
9	9		1100114-00	PIV= 25 IO=135 MA		1	1	1	1	D9
10	10		1105275-00	PIV= 60 IO=300 MA -15NS		3	3	3	3	D2,D4,D3
11	11		1109977-00	VZ= 4.3 5% 1N749A		1	1	1	1	D1
12	12		1114117-00	PIV= 40 IO= 75 A - 4NS		3	3	3	3	D6-D8
13	13		1114136-02	LED 6.7MA 5V .2MCD GREEN		1	1	1	1	D14
14	14		1120964-01	LED ASSY 4 RED 5V 8MA		1	1	1	1	D10
15	15		1210929-02	FUSE, SUB-MINI 1.000A, 125V, A		2	2	2	2	F1,F2
16	16		1213113-03	HANDLE,MODULE		1	1	1	1	
17	17		1213506-04	PCB HEADER 09PIN(2X05).100CC 90D		1	1	1	1	J3
18	18		1213506-10	PCB HEADER 20PIN(2X10).100CC 90D		1	1	1	1	J2
19	19		1213506-13	PCB HEADER 50PIN(2X25).100CC 90D		1	1	1	1	J1
20	20		1215006-07	SKT,IC 28PIN DIP TIN SOLD		2	2	2	2	XE21,XE22
21	21		1300202-00	47.0 .25 W 5.0 %	CF	3	3	3	3	R1,R2,R29
22	22		1300365-00	1.0 K .25 W 5.0 %	CF	1	1	1	1	R3
23	23		1300447-00	4.70 K .25 W 5.0 %	CF	1	1	1	1	R8
24	24		1300479-00	10.0 K .25 W 5.0 %	CF	2	2	2	2	R11,R12
25	25		1301808-00	22.0 K .25 W 5.0 %	CF	1	1	1	1	R4
26	26		1302388-00	2.0 K .25 W 5.0 %	CF	1	1	1	1	R14
27	27		1302466-00	100.0 K .25 W 5.0 %	CF	1	1	1	1	R16
28	28		1304837-00	24.0 K .25 W 5.0 %	CF	1	1	1	1	R7
29	29		1314637-00	R NETWORK 3-22 1.0 % 6PIN		4	4	4	4	R31-R34
30	30		1316334-02	R NETWORK 9-10K 2.0 % 10PIN		2	2	2	2	R10,R23

REVISION HISTORY		BASIC PART NO: M7606		DRN: RONALD RHOADES	DATE: 01-FEB-84	D I G I T A L			
ENG!	ECO NUMBER	REV	SECTION A OF C	CHK'D: DAVID DROZD	DATE: 17-MAY-84	TITLE PARTS LIST			
---	INITIAL	A	SECTION VARIATION INDEX	DES.ENG: BARRY MASKAS	DATE: 22-MAY-84	DOCUMENT NUMBER			
BM	M7606-ML001	B	[A] AA,AC,AH,BA	RESP.ENG.: BARRY MASKAS	DATE: 8-AUG-84	SIZE!	CODE!	NUMBER	REV
BM	M7606-ML002	C	[B] BC,BH,CA,CC	MFG.ENG.: BILL SCHULTE	DATE: 22-MAY-84	K	PL	M7606-0-DBP	D
BM	M7606-ML003	D	[C] CH,DA,DC,DH	ASSEMBLY NUMBER:	TOP DOCUMENT NUMBER:	FILE NAME:		EDIT #	
			[D]	D-UA-M7606-0-0	B-DD-M7606-0-0	Z8847D.PLS		38	
			[E]						
			[F]						
			[H]						
			[J]						
			[K]						
			[L]						
			[M]						
			[N]						

"THIS DRAWING AND THE SPECIFICATIONS CONTAINED HEREIN ARE CONFIDENTIAL AND PROPRIETARY. THEY ARE THE PROPERTY OF DIGITAL EQUIPMENT CORPORATION AND SHALL NOT BE REPRODUCED OR COPIED OR USED IN WHOLE OR IN PART AS THE BASIS FOR THE MANUFACTURE OR SALE OF ITEMS WITHOUT WRITTEN PERMISSION. THIS IS AN UNPUBLISHED WORK PROTECTED UNDER THE FEDERAL COPYRIGHT LAWS."



LINE	ITEM	TOP DOCUMENT	PART NUMBER	MIN REV	DESCRIPTION	QTY PER VARIATION				REFERENCE DESIGNATOR
						AA	AC	AH	BA	
VARIATION REVISION LEVEL:						E1	E1	E1	E1	
31	31		1316395-02		R NETWORK 9-1.0K 2.0 % 10PIN	1	1	1	1	R9
32	32		1317404-00		249.0 .25 W 1.0 % RN55D-F10	1	1	1	1	R13
33	33		1317558-01		R NETWORK 4-27 5.0 % 8PIN	2	2	2	2	R39,R40
34	34		1318110-00		R NETWORK 11-330 11-680 13PIN	4	4	4	4	R24-R27
35	35		1319610-01		750.0 K .25 W .10% RN55E-B 2	1	1	1	1	R17
36	36		1319645-01		487.0 K .25 W .10% RN55E-B 2	1	1	1	1	R18
37	37		1321144-01		R NETWORK 5-220 2.0% 10PIN	1	1	1	1	R28
38	38		1321218-01		R NETWORK 4-39 +-10HM 8PIN	4	4	4	4	R35-R38
39	39		1811660-05		*** THIS ITEM IS NOT USED ***	-	-	-	-	
40	40		1811660-62		OSCILLATOR,XTAL 614.4 KHZ	1	1	1	1	Y2
41	41		1814057-00		OSCILLATOR, XTAL 40.000 MHZ	1	1	1	1	Y3
42	42		1818800-00		OSCILLATOR,XTAL 32.768KHZ	1	1	1	1	Y1
43	43		1911469-B0		8640 BURNED-IN RECEIVER,B	1	1	1	1	E16
44	44		1912803-B0		LS04 BURNED-IN INVERTER G	1	1	1	1	E25
45	45		1913471-B0		LS367 BURNED-IN DRIVER,BUS	1	1	1	1	E41
46	46		1914140-01	LM	211P COMPARATOR,VOLTAGE	1	1	1	1	E29
47	47		1914987-00		8641-2 TRANSCEIVER,UNIBUS,QU	4	4	4	4	E5,E7,E19,E24
48	48		1915193-B0		LS244 BURNED-IN DRIVER,LIN	1	1	1	1	E28
49	49		1915219-B0		LS373 BURNED-IN FF-O CTAL	1	1	1	1	E1
50	50		1915415-B0		9636 BURNED-IN DRIVER,DUA	1	1	1	1	E23
51	51		1916028-B1		9643 BURNED-IN DRIVER,TTL	1	1	1	1	E15
52	52		1918868-B0		LS26 NAND GATE,2-IN,HIGH	1	1	1	1	E35
53	53		1919015-00	DC	021 BUS TRANSCEIVER,20PI	3	3	3	3	E11,E30,E36
54	54		1919542-B1		9639 RECEIVER,LINE,DUAL,P	1	1	1	1	E18
55	55		1919684-01	LM	385B2 PREC VOLT REF. 1.23	1	1	1	1	D5
56	56		1920441-B1		74F245 TRANSCEIVER,BI-DIREC	4	4	4	4	E52,E71,E85,E99
57	57		1920442-B1		74F374 FF-D,OCTAL,TRI-STATE	2	2	2	2	E8,E12
58	58		1920853-B1		LS646 BUS TRANSCEIVER/REGI	2	2	2	2	E9,E10
59	59		1921008-B1		74F240 BUFFER/LINE DRIVER,O	2	2	2	2	E80,E94
60	60		1921010-B1		74F373 OCTAL TRANSPARENT LA	5	5	5	5	E2,E6,E46,E53,E73
61	61		1921305-B1		74F00 NAND GATE,QUAD,2-IN,	1	1	1	1	E47
62	62		1921306-B1		74F02 NOR GATE,QUAD,2-IN,B	1	1	1	1	E38
63	63		1921307-B1		74F04 HEX INVERTER,BURNED	2	2	2	2	E32,E87
64	64		1921312-B1		74F32 OR GATE,QUAD,2-IN,BU	2	2	2	2	E37,E65
65	65		1921314-B1		74F74 FF-D,DUAL,BURNED-IN	2	2	2	2	E31,E34
66	66		1921321-B1		74F158 MUX,QUAD,2-IN,BURNED	3	3	3	3	E72,E93,E101
67	67		1921323-B1		74F174 FF-D,HEX,BURNED-IN	2	2	2	2	E17,E59
68	68		1921417-B1		74F521 COMPARATOR,IDENTITY,	1	1	1	1	E66
69	69		1922871-01		TRANSCEIVER,PARITY B	4	4	4	4	E58,E64,E92,E106
70	70		1923679-B1		74F537 DECODER/DEMUX,1-OF-1	1	1	1	1	E100
71	71		2117312-00		UART DL-11 SOFTWARE	1	1	1	1	E13
72	72		2118467-02		*** THIS ITEM IS NOT USED ***	-	-	-	-	
73	73		2118472-02		*** THIS ITEM IS NOT USED ***	-	-	-	-	
74	74		2118795-00		146818 CLOCK/CALENDAR/RAM	1	1	1	1	E14
75	75		2120887-01	DC	333 MICROVAX,32BIT 68PIN	1	1	1	1	E43
76	76		2121384-02		RAM 8KX8,STATIC 150	2	2	2	2	E3,E4
77	77		2121413-02		41256 RAM 256KX1,DYNAMIC 1	-	-	36	-	E48-E51,E54-E57,E60-E63,E67-E70, CONT E74-E77,E81-E84,E88-E91,E95-E98,

D	I	G	I	T	A	L	TITLE	MAYFLOWER KA630	SECTION A	OF C	SIZE	CODE	DOCUMENT NUMBER	REV
											K	PL	M7606-0-DBP	D

LINE	ITEM	TOP DOCUMENT	PART NUMBER	MIN REV	DESCRIPTION	QTY PER VARIATION				REFERENCE DESIGNATOR
						AA	AC	AH	BA	
						E1	E1	E1	E1	
78	78		2121415-02		81256-15 RAM 256KX1,DYNAMIC 1	-	36	-	-	CONT E102-E105 E48-E51,E54-E57,E60-E63,E67-E70, CONT E74-E77,E81-E84,E88-E91,E95-E98, CONT E102-E105
79	79		2122797-01		DC 337 MICROVAX FLOATING PO	1	1	1	-	E42
80	80		2123389-01		GATE ARRAY,3200 GATE	1	1	1	1	E45
81	81		2123413-01		DC379 CMOS GATE ARRAY,144PGA,320	1	1	1	1	E44
82	82		23007L3-00		*** THIS ITEM IS NOT USED ***	-	-	-	-	
83	83		23008L3-00		L3-01 FPLS	1	1	1	1	E20
84	84		23009L3-00		L3-01	1	1	1	1	E26
85	85		23010L3-00		L3-01	1	1	1	1	E33
86	86		23018E6-00		*** THIS ITEM IS NOT USED ***	-	-	-	-	
87	87		23019E6-00		*** THIS ITEM IS NOT USED ***	-	-	-	-	
88	88		23036L1-00		*** THIS ITEM IS NOT USED ***	-	-	-	-	
89	89		23115F2-00		*** THIS ITEM IS NOT USED ***	-	-	-	-	
90	90		23169J5-00		J5-03 PAL,LOGIC	1	1	1	1	E40
91	91		23170J5-00		J5-03 PAL,LOGIC	1	1	1	1	E78
92	92		23171J5-00		J5-03 PAL,LOGIC	1	1	1	1	E86
93	93		23E42F1-00		F1-05	1	1	1	1	E79
94	94		9000024-01		EYELET,ROLLED 0.1210DX0.192	4	4	4	4	
95	95		9009185-00		JUMPER, WIRE, INSULATED, BLACK B	3	3	3	3	W2,W4,W5
96	96		9907004-06		CARTON,DIE CUT,B,200PSI W/ARTWOR	1	1	1	1	
97	97		9907025-06		BAG,ANTISTATIC BUBBLE	1	1	1	1	
98	98		9907092-04		BAG,TRANSLUCENT,ESD PROTECTIVE	1	1	1	1	
99	99		23034E6-00		*** THIS ITEM IS NOT USED ***	-	-	-	-	
100	100		23035E6-00		*** THIS ITEM IS NOT USED ***	-	-	-	-	
101	101		23053L1-00		L1-01	1	1	1	1	E27
102	102		23062E6-00		E6-02 U	1	1	1	1	E22
103	103		23063E6-00		E6-02 U	1	1	1	1	E21
104	104		23014L3-00		L3-01	1	1	1	1	E39

- 105 NOTE: M7606-AA IS THE PRIMARY VARIATION OF THE KA630 CPU.
- 106 NOTE: M7606-AC IS THE MODULE USING FUJITSU 256K RAMS.
- 107 NOTE: M7606-AH IS THE MODULE USING NEC 256K RAMS.
- 108 NOTE: M7606-BA IS THE AA VERSION WITHOUT FLOATING POINT.
- 109 NOTE: M7606-BC IS THE MODULE USING FUJITSU 256K RAMS.
- 110 NOTE: M7606-BH IS THE MODULE USING NEC 256K RAMS.
- 111 NOTE: M7605-CA IS THE AA VERSION USING 64K RAMS
- 112 NOTE: M7606-CC IS THE MODULE USING FUJITSU 64K RAMS.
- 113 NOTE: M7606-CH IS THE MODULE USING NEC 64K RAMS.
- 114 NOTE: M7606-DA IS THE CA VERSION WITHOUT FLOATING POINT.
- 115 NOTE: M7606-DC IS THE MODULE USING FUJITSU 64K RAMS.
- 116 NOTE: M7606-DH IS THE MODULE USING NEC 64K RAMS.

D	I	G	I	T	A	L	TITLE	MAYFLOWER KA630	SECTION A OF C	SIZE	CODE	DOCUMENT NUMBER	REV
										K	PL	M7606-0-DBP	D

LINE	ITEM	TOP DOCUMENT	PART NUMBER	MIN REV	DESCRIPTION	QTY PER VARIATION				REFERENCE DESIGNATOR
						BC E1	BH E1	CA E1	CC E1	
1	1	D-MD-5016523-0-0	5016523-01		CIRCUIT DRILL & ETCH	1	1	1	1	
2	2		1010279-01		.47 MFD 25V 20% CER	6	6	6	6	C30-C35
3	3		1012784-00		.047 MFD 50V +80-20% CER	7	7	7	7	C28,C1-C6
4	4		1013466-05		56.0 MMF 50V 5% CER	1	1	1	1	C67
5	5		1013466-07		220.0 MMF 50V 5% CER	1	1	1	1	C29
6	6		1014265-02		.33 MFD 50V +80-20% CER	58	58	58	58	C7-C27,C42-C66,C68,C69,C71-C80
7	7		1017472-00		10 MFD 35V +75-10% AL EL	3	3	3	3	C39-C41
8	8		1020446-05		22 MFD 16V +50-10% AL EL	2	2	2	2	C37,C38
9	9		1100114-00		PIV= 25 IO=135 MA	1	1	1	1	D9
10	10		1105275-00		PIV= 60 IO=300 MA -15NS	3	3	3	3	D2,D4,D3
11	11		1109977-00		VZ= 4.3 5% 1N749A	1	1	1	1	D1
12	12		1114117-00		PIV= 40 IO= 75 A - 4NS	3	3	3	3	D6-D8
13	13		1114136-02		LED 6.7MA 5V .2MCD GREEN	1	1	1	1	D14
14	14		1120964-01		LED ASSY 4 RED 5V 8MA	1	1	1	1	D10
15	15		1210929-02		FUSE, SUB-MINI 1.000A, 125V, A	2	2	2	2	F1,F2
16	16		1213113-03		HANDLE,MODULE	1	1	1	1	
17	17		1213506-04		PCB HEADER 09PIN(2X05).100CC 90D	1	1	1	1	J3
18	18		1213506-10		PCB HEADER 20PIN(2X10).100CC 90D	1	1	1	1	J2
19	19		1213506-13		PCB HEADER 50PIN(2X25).100CC 90D	1	1	1	1	J1
20	20		1215006-07		SKT,IC 28PIN DIP TIN SOLD	2	2	2	2	XE21,XE22
21	21		1300202-00		47.0 .25 W 5.0 % CF	3	3	3	3	R1,R2,R29
22	22		1300365-00		1.0 K .25 W 5.0 % CF	1	1	1	1	R3
23	23		1300447-00		4.70 K .25 W 5.0 % CF	1	1	1	1	R8
24	24		1300479-00		10.0 K .25 W 5.0 % CF	2	2	2	2	R11,R12
25	25		1301808-00		22.0 K .25 W 5.0 % CF	1	1	1	1	R4
26	26		1302388-00		2.0 K .25 W 5.0 % CF	1	1	1	1	R14
27	27		1302466-00		100.0 K .25 W 5.0 % CF	1	1	1	1	R16
28	28		1304837-00		24.0 K .25 W 5.0 % CF	1	1	1	1	R7
29	29		1314637-00		R NETWORK 3-22 1.0 % 6PIN	4	4	4	4	R31-R34
30	30		1316334-02		R NETWORK 9-10K 2.0 % 10PIN	2	2	2	2	R10,R23

REVISION HISTORY		BASIC PART NO: M7606		DRN: RONALD RHOADES	DATE: 01-FEB-84	DIGITAL		
ENG	ECO NUMBER	REV	SECTION B OF C	CHK'D: DAVID DROZD	DATE: 17-MAY-84	TITLE PARTS LIST		
---	INITIAL	A	SECTION VARIATION INDEX	DES.ENG: BARRY MASKAS	DATE: 22-MAY-84	DOCUMENT NUMBER		
BM	M7606-ML001	B	[A] AA,AC,AH,BA	RESP.ENG.: BARRY MASKAS	DATE: 8-AUG-84	SIZE	CODE	NUMBER
BM	M7606-ML002	C	[B] BC,BH,CA,CC	MFG.ENG.: BILL SCHULTE	DATE: 22-MAY-84	K	PL	M7606-0-DBP
BM	M7606-ML003	D	[C] CH,DA,DC,DH	ASSEMBLY NUMBER:	TOP DOCUMENT NUMBER:	FILE NAME:		EDIT #
			[D]	D-UA-M7606-0-0	B-DD-M7606-0-0	Z8847D.PLS		38
			[E]					
			[F]					
			[H]					
			[J]					
			[K]					
			[L]					
			[M]					
			[N]					

"THIS DRAWING AND THE SPECIFICATIONS CONTAINED HEREIN ARE CONFIDENTIAL AND PROPRIETARY. THEY ARE THE PROPERTY OF DIGITAL EQUIPMENT CORPORATION AND SHALL NOT BE REPRODUCED OR COPIED OR USED IN WHOLE OR IN PART AS THE BASIS FOR THE MANUFACTURE OR SALE OF ITEMS WITHOUT WRITTEN PERMISSION. THIS IS AN UNPUBLISHED WORK PROTECTED UNDER THE FEDERAL COPYRIGHT LAWS."



LINE	ITEM	TOP DOCUMENT	PART NUMBER	MIN REV	DESCRIPTION	QTY PER VARIATION				REFERENCE DESIGNATOR
						BC E1	BH E1	CA E1	CC E1	
31	31		1316395-02		R NETWORK 9-1.0K 2.0 % 10PIN	1	1	1	1	R9
32	32		1317404-00		249.0 .25 W 1.0 % RN55D-F10	1	1	1	1	R13
33	33		1317558-01		R NETWORK 4-27 5.0 % 8PIN	2	2	2	2	R39,R40
34	34		1318110-00		R NETWORK 11-330 11-680 13PIN	4	4	4	4	R24-R27
35	35		1319610-01		750.0 K .25 W .10% RN55E-B 2	1	1	1	1	R17
36	36		1319645-01		487.0 K .25 W .10% RN55E-B 2	1	1	1	1	R18
37	37		1321144-01		R NETWORK 5-220 2.0% 10PIN	1	1	1	1	R28
38	38		1321218-01		R NETWORK 4-39 +-10HM 8PIN	4	4	4	4	R35-R38
39	39		1811660-05		OSCILLATOR, XTAL 33.330 MHZ	-	-	1	1	Y3
40	40		1811660-62		OSCILLATOR, XTAL 614.4 KHZ	1	1	1	1	Y2
41	41		1814057-00		OSCILLATOR, XTAL 40.000 MHZ	1	1	-	-	Y3
42	42		1818800-00		OSCILLATOR, XTAL 32.768KHZ	1	1	1	1	Y1
43	43		1911469-B0		8640 BURNED-IN RECEIVER, B	1	1	1	1	E16
44	44		1912803-B0		LS04 BURNED-IN INVERTER G	1	1	1	1	E25
45	45		1913471-B0		LS367 BURNED-IN DRIVER, BUS	1	1	1	1	E41
46	46		1914140-01	LM	211P COMPARATOR, VOLTAGE	1	1	1	1	E29
47	47		1914987-00		8641-2 TRANSCEIVER, UNIBUS, QU	4	4	4	4	E5, E7, E19, E24
48	48		1915193-B0		LS244 BURNED-IN DRIVER, LIN	1	1	1	1	E28
49	49		1915219-B0		LS373 BURNED-IN FF-0 OCTAL	1	1	1	1	E1
50	50		1915415-B0		9636 BURNED-IN DRIVER, DUA	1	1	1	1	E23
51	51		1916028-B1		9643 BURNED-IN DRIVER, TTL	1	1	1	1	E15
52	52		1918868-B0		LS26 NAND GATE, 2-IN, HIGH	1	1	1	1	E35
53	53		1919015-00	DC	021 BUS TRANSCEIVER, 20PI	3	3	3	3	E11, E30, E36
54	54		1919542-B1		9639 RECEIVER, LINE, DUAL, P	1	1	1	1	E18
55	55		1919684-01	LM	385B2 PREC VOLT REF. 1.23	1	1	1	1	D5
56	56		1920441-B1		74F245 TRANSCEIVER, BI-DIREC	4	4	4	4	E52, E71, E85, E99
57	57		1920442-B1		74F374 FF-D, OCTAL, TRI-STATE	2	2	2	2	E8, E12
58	58		1920853-B1		LS646 BUS TRANSCEIVER/REGI	2	2	2	2	E9, E10
59	59		1921008-B1		74F240 BUFFER/LINE DRIVER, 0	2	2	2	2	E80, E94
60	60		1921010-B1		74F373 OCTAL TRANSPARENT LA	5	5	5	5	E2, E6, E46, E53, E73
61	61		1921305-B1		74F00 NAND GATE, QUAD, 2-IN,	1	1	1	1	E47
62	62		1921306-B1		74F02 NOR GATE, QUAD, 2-IN, B	1	1	1	1	E38
63	63		1921307-B1		74F04 HEX INVERTER, BURNED	2	2	2	2	E32, E87
64	64		1921312-B1		74F32 OR GATE, QUAD, 2-IN, BU	2	2	2	2	E37, E65
65	65		1921314-B1		74F74 FF-D, DUAL, BURNED-IN	2	2	2	2	E31, E34
66	66		1921321-B1		74F158 MUX, QUAD, 2-IN, BURNED	3	3	3	3	E72, E93, E101
67	67		1921323-B1		74F174 FF-D, HEX, BURNED-IN	2	2	2	2	E17, E59
68	68		1921417-B1		74F521 COMPARATOR, IDENTITY,	1	1	1	1	E66
69	69		1922871-01		TRANSCEIVER, PARITY B	4	4	4	4	E58, E64, E92, E106
70	70		1923679-B1		74F537 DECODER/DEMUX, 1-OF-1	1	1	1	1	E100
71	71		2117312-00		UART DL-11 SOFTWARE	1	1	1	1	E13
72	72		2118467-02		8264-15 RAM 64K X1, 150NS 1	-	-	-	36	E48-E51, E54-E57, E60-E63, E67-E70, CONT E74-E77, E81-E84, E88-E91, E95-E98, CONT E102-E105
73	73		2118472-02		*** THIS ITEM IS NOT USED ***	-	-	-	-	
74	74		2118795-00		146818 CLOCK/CALENDAR/RAM	1	1	1	1	E14
75	75		2120887-01	DC	333 MICROVAX, 32BIT 68PIN	1	1	1	1	E43
76	76		2121384-02		RAM 8KX8, STATIC 150	2	2	2	2	E3, E4

D	I	G	I	T	A	L	TITLE	MAYFLOWER	SECTION B	OF	C	SIZE	CODE	DOCUMENT NUMBER	REV
							KA630					K	PL	M7606-0-DBP	D

LINE	ITEM	TOP DOCUMENT	PART NUMBER	MIN REV	DESCRIPTION	QTY PER VARIATION				REFERENCE DESIGNATOR
						BC E1	BH E1	CA E1	CC E1	
77	77		2121413-02		41256 RAM 256KX1,DYNAMIC 1	-	36	-	-	E48-E51,E54-E57,E60-E63,E67-E70, CONT E74-E77,E81-E84,E88-E91,E95-E98, CONT E102-E105
78	78		2121415-02		81256-15 RAM 256KX1,DYNAMIC 1	36	-	-	-	E48-E51,E54-E57,E60-E63,E67-E70, CONT E74-E77,E81-E84,E88-E91,E95-E98, CONT E102-E105
79	79		2122797-01		DC 337 MICROVAX FLOATING PO	-	-	1	1	E42
80	80		2123389-01		GATE ARRAY,3200 GATE	1	1	1	1	E45
81	81		2123413-01		DC379 CMOS GATE ARRAY,144PGA,320	1	1	1	1	E44
82	82		23007L3-00		*** THIS ITEM IS NOT USED ***	-	-	-	-	
83	83		23008L3-00		L3-01 FPLS	1	1	1	1	E20
84	84		23009L3-00		L3-01	1	1	1	1	E26
85	85		23010L3-00		L3-01	1	1	1	1	E33
86	86		23018E6-00		*** THIS ITEM IS NOT USED ***	-	-	-	-	
87	87		23019E6-00		*** THIS ITEM IS NOT USED ***	-	-	-	-	
88	88		23036L1-00		*** THIS ITEM IS NOT USED ***	-	-	-	-	
89	89		23115F2-00		F2-03	-	-	1	1	E79
90	90		23169J5-00		J5-03 PAL,LOGIC	1	1	1	1	E40
91	91		23170J5-00		J5-03 PAL,LOGIC	1	1	1	1	E78
92	92		23171J5-00		J5-03 PAL,LOGIC	1	1	1	1	E86
93	93		23E42F1-00		F1-05	1	1	-	-	E79
94	94		9000024-01		EYELET,ROLLED 0.1210DX0.192	4	4	4	4	
95	95		9009185-00		JUMPER, WIRE, INSULATED, BLACK B	3	3	-	-	W2,W4,W5
			CONT			-	-	3	3	W2,W3,W6
96	96		9907004-06		CARTON,DIE CUT,B,200PSI W/ARTWOR	1	1	1	1	
97	97		9907025-06		BAG,ANTISTATIC BUBBLE	1	1	1	1	
98	98		9907092-04		BAG,TRANSLUCENT,ESD PROTECTIVE	1	1	1	1	
99	99		23034E6-00		*** THIS ITEM IS NOT USED ***	-	-	-	-	
100	100		23035E6-00		*** THIS ITEM IS NOT USED ***	-	-	-	-	
101	101		23053L1-00		L1-01	1	1	1	1	E27
102	102		23062E6-00		E6-02	U	1	1	1	E22
103	103		23063E6-00		E6-02	U	1	1	1	E21
104	104		23014L3-00		L3-01	1	1	1	1	E39

- 105 NOTE: M7606-AA IS THE PRIMARY VARIATION OF THE KA630 CPU.
- 106 NOTE: M7606-AC IS THE MODULE USING FUJITSU 256K RAMS.
- 107 NOTE: M7606-AH IS THE MODULE USING NEC 256K RAMS.
- 108 NOTE: M7606-BA IS THE AA VERSION WITHOUT FLOATING POINT.
- 109 NOTE: M7606-BC IS THE MODULE USING FUJITSU 256K RAMS.
- 110 NOTE: M7606-BH IS THE MODULE USING NEC 256K RAMS.
- 111 NOTE: M7606-CA IS THE AA VERSION USING 64K RAMS
- 112 NOTE: M7606-CC IS THE MODULE USING FUJITSU 64K RAMS.
- 113 NOTE: M7606-CH IS THE MODULE USING NEC 64K RAMS.
- 114 NOTE: M7606-DA IS THE CA VERSION WITHOUT FLOATING POINT.

D	I	G	I	T	A	L	TITLE	SECTION B OF C	SIZE	CODE	DOCUMENT NUMBER	REV
							MAYFLOWER KA630		K	PL	M7606-0-DBP	D

AUTOMATED BY PRTLST.5R(55)

PARTS LIST

SHEET B4 OF B4

LINE ITEM	TOP DOCUMENT	PART NUMBER	MIN REV	DESCRIPTION	QTY PER VARIATION	BC	BH	CA	CC	REFERENCE DESIGNATOR
-----------	--------------	-------------	---------	-------------	-------------------	----	----	----	----	----------------------

VARIATION REVISION LEVEL: E1 E1 E1 E1

115 NOTE: M7606-DC IS THE MODULE USING FUJITSU 64K RAMS.  
116 NOTE: M7606-DH IS THE MODULE USING NEC 64K RAMS.

D I G I T A L	TITLE	MAYFLOWER KA630	SECTION B OF C	SIZE	CODE	DOCUMENT NUMBER	REV
				K	PL	M7606-0-DBP	D

LINE	ITEM	TOP DOCUMENT	PART NUMBER	MIN REV	DESCRIPTION	QTY PER VARIATION				REFERENCE DESIGNATOR
						CH E1	DA E1	DC E1	DH E1	
1	1	D-MD-5016523-0-0	5016523-01		CIRCUIT DRILL & ETCH	1	1	1	1	
2	2		1010279-01		.47 MFD 25V 20%	6	6	6	6	C30-C35
3	3		1012784-00		.047 MFD 50V +80-20%	7	7	7	7	C28,C1-C6
4	4		1013466-05		56.0 MMF 50V 5%	1	1	1	1	C67
5	5		1013466-07		220.0 MMF 50V 5%	1	1	1	1	C29
6	6		1014265-02		.33 MFD 50V +80-20%	58	58	58	58	C7-C27,C42-C66,C68,C69,C71-C80
7	7		1017472-00		10 MFD 35V +75-10%	3	3	3	3	C39-C41
8	8		1020446-05		22 MFD 16V +50-10%	2	2	2	2	C37,C38
9	9		1100114-00		PIV= 25 IO=135 MA	1	1	1	1	D9
10	10		1105275-00		PIV= 60 IO=300 MA -15NS	3	3	3	3	D2,D4,D3
11	11		1109977-00		VZ= 4.3 5% 1N749A	1	1	1	1	D1
12	12		1114117-00		PIV= 40 IO= 75 A - 4NS	3	3	3	3	D6-D8
13	13		1114136-02		LED 6.7MA 5V .2MCD GREEN	1	1	1	1	D14
14	14		1120964-01		LED ASSY 4 RED 5V 8MA	1	1	1	1	D10
15	15		1210929-02		FUSE, SUB-MINI 1.000A, 125V, A	2	2	2	2	F1,F2
16	16		1213113-03		HANDLE,MODULE	1	1	1	1	
17	17		1213506-04		PCB HEADER 09PIN(2X05).100CC 90D	1	1	1	1	J3
18	18		1213506-10		PCB HEADER 20PIN(2X10).100CC 90D	1	1	1	1	J2
19	19		1213506-13		PCB HEADER 50PIN(2X25).100CC 90D	1	1	1	1	J1
20	20		1215006-07		SKT,IC 28PIN DIP TIN SOLD	2	2	2	2	XE21,XE22
21	21		1300202-00		47.0 .25 W 5.0 % CF	3	3	3	3	R1,R2,R29
22	22		1300365-00		1.0 K .25 W 5.0 % CF	1	1	1	1	R3
23	23		1300447-00		4.70 K .25 W 5.0 % CF	1	1	1	1	R8
24	24		1300479-00		10.0 K .25 W 5.0 % CF	2	2	2	2	R11,R12
25	25		1301808-00		22.0 K .25 W 5.0 % CF	1	1	1	1	R4
26	26		1302388-00		2.0 K .25 W 5.0 % CF	1	1	1	1	R14
27	27		1302466-00		100.0 K .25 W 5.0 % CF	1	1	1	1	R16
28	28		1304837-00		24.0 K .25 W 5.0 % CF	1	1	1	1	R7
29	29		1314637-00		R NETWORK 3-22 1.0 % 6PIN	4	4	4	4	R31-R34
30	30		1316334-02		R NETWORK 9-10K 2.0 % 10PIN	2	2	2	2	R10,R23

REVISION HISTORY			BASIC PART NO: M7606		DRN: RONALD RHOADES		DATE: 01-FEB-84		DIGITAL			
ENG	ECO NUMBER	REV	SECTION C OF C		CHK'D: DAVID DROZD		DATE: 17-MAY-84		TITLE PARTS LIST			
---	INITIAL	A	SECTION VARIATION INDEX		DES.ENG: BARRY MASKAS		DATE: 22-MAY-84		DOCUMENT NUMBER			
BM	M7606-ML001	B	[A]	AA,AC,AH,BA	RESP.ENG.: BARRY MASKAS		DATE: 8-AUG-84		SIZE	CODE	NUMBER	REV
BM	M7606-ML002	C	[B]	BC,BH,CA,CC	MFG.ENG.: BILL SCHULTE		DATE: 22-MAY-84		K	PL	M7606-0-DBP	D
BM	M7606-ML003	D	[C]	CH,DA,DC,DH	ASSEMBLY NUMBER:		TOP DOCUMENT NUMBER:		FILE NAME:		EDIT #	
			[D]		D-UA-M7606-0-0		B-DD-M7606-0-0		Z8847D.PLS		38	
			[E]									
			[F]									
			[H]									
			[J]									
			[K]									
			[L]									
			[M]									
			[N]									

"THIS DRAWING AND THE SPECIFICATIONS CONTAINED HEREIN ARE CONFIDENTIAL AND PROPRIETARY. THEY ARE THE PROPERTY OF DIGITAL EQUIPMENT CORPORATION AND SHALL NOT BE REPRODUCED OR COPIED OR USED IN WHOLE OR IN PART AS THE BASIS FOR THE MANUFACTURE OR SALE OF ITEMS WITHOUT WRITTEN PERMISSION. THIS IS AN UNPUBLISHED WORK PROTECTED UNDER THE FEDERAL COPYRIGHT LAWS."

LINE	ITEM	TOP DOCUMENT	PART NUMBER	MIN REV	DESCRIPTION	QTY PER VARIATION				REFERENCE DESIGNATOR
						CH E1	DA E1	DC E1	DH E1	
31	31		1316395-02		R NETWORK 9-1.0K 2.0% 10PIN	1	1	1	1	R9
32	32		1317404-00		249.0 .25 W 1.0% RN55D-F10	1	1	1	1	R13
33	33		1317558-01		R NETWORK 4-27 5.0% 8PIN	2	2	2	2	R39,R40
34	34		1318110-00		R NETWORK 11-330 11-680 13PIN	4	4	4	4	R24-R27
35	35		1319610-01		750.0 K .25 W .10% RN55E-B 2	1	1	1	1	R17
36	36		1319645-01		487.0 K .25 W .10% RN55E-B 2	1	1	1	1	R18
37	37		1321144-01		R NETWORK 5-220 2.0% 10PIN	1	1	1	1	R28
38	38		1321218-01		R NETWORK 4-39 +-10HM 8PIN	4	4	4	4	R35-R38
39	39		1811660-05		OSCILLATOR, XTAL 33.330 MHZ	1	1	1	1	Y3
40	40		1811660-62		OSCILLATOR, XTAL 614.4 KHZ	1	1	1	1	Y2
41	41		1814057-00		*** THIS ITEM IS NOT USED ***	-	-	-	-	
42	42		1818800-00		OSCILLATOR, XTAL 32.768KHZ	1	1	1	1	Y1
43	43		1911469-B0		8640 BURNED-IN RECEIVER, B	1	1	1	1	E16
44	44		1912803-B0		LS04 BURNED-IN INVERTER G	1	1	1	1	E25
45	45		1913471-B0		LS367 BURNED-IN DRIVER, BUS	1	1	1	1	E41
46	46		1914140-01	LM	211P COMPARATOR, VOLTAGE	1	1	1	1	E29
47	47		1914987-00		8641-2 TRANSCEIVER, UNIBUS, QU	4	4	4	4	E5, E7, E19, E24
48	48		1915193-B0		LS244 BURNED-IN DRIVER, LIN	1	1	1	1	E28
49	49		1915219-B0		LS373 BURNED-IN FF-0 OCTAL	1	1	1	1	E1
50	50		1915415-B0		9636 BURNED-IN DRIVER, DUA	1	1	1	1	E23
51	51		1916028-B1		9643 BURNED-IN DRIVER, TTL	1	1	1	1	E15
52	52		1918868-B0		LS26 NAND GATE, 2-IN, HIGH	1	1	1	1	E35
53	53		1919015-00	DC	021 BUS TRANSCEIVER, 20PI	3	3	3	3	E11, E30, E36
54	54		1919542-B1		9639 RECEIVER, LINE, DUAL, P	1	1	1	1	E18
55	55		1919684-01	LM	385B2 PREC VOLT REF. 1.23	1	1	1	1	D5
56	56		1920441-B1		74F245 TRANSCEIVER, BI-DIREC	4	4	4	4	E52, E71, E85, E99
57	57		1920442-B1		74F374 FF-D, OCTAL, TRI-STATE	2	2	2	2	E8, E12
58	58		1920853-B1		LS646 BUS TRANSCEIVER/REGI	2	2	2	2	E9, E10
59	59		1921008-B1		74F240 BUFFER/LINE DRIVER, 0	2	2	2	2	E80, E94
60	60		1921010-B1		74F373 OCTAL TRANSPARENT LA	5	5	5	5	E2, E6, E46, E53, E73
61	61		1921305-B1		74F00 NAND GATE, QUAD, 2-IN,	1	1	1	1	E47
62	62		1921306-B1		74F02 NOR GATE, QUAD, 2-IN, B	1	1	1	1	E38
63	63		1921307-B1		74F04 HEX INVERTER, BURNED	2	2	2	2	E32, E87
64	64		1921312-B1		74F32 OR GATE, QUAD, 2-IN, BU	2	2	2	2	E37, E65
65	65		1921314-B1		74F74 FF-D, DUAL, BURNED-IN	2	2	2	2	E31, E34
66	66		1921321-B1		74F158 MUX, QUAD, 2-IN, BURNED	3	3	3	3	E72, E93, E101
67	67		1921323-B1		74F174 FF-D, HEX, BURNED-IN	2	2	2	2	E17, E59
68	68		1921417-B1		74F521 COMPARATOR, IDENTITY,	1	1	1	1	E66
69	69		1922871-01		TRANSCEIVER, PARITY B	4	4	4	4	E58, E64, E92, E106
70	70		1923679-B1		74F537 DECODER/DEMUX, 1-OF-1	1	1	1	1	E100
71	71		2117312-00		UART DL-11 SOFTWARE	1	1	1	1	E13
72	72		2118467-02		8264-15 RAM 64K X1, 150NS 1	-	-	36	-	E48-E51, E54-E57, E60-E63, E67-E70, CONT E74-E77, E81-E84, E88-E91, E95-E98, CONT E102-E105
73	73		2118472-02		4164-3 MOS RAM 64K X1, 150	36	-	-	36	E48-E51, E54-E57, E60-E63, E67-E70, CONT E74-E77, E81-E84, E88-E91, E95-E98, CONT E102-E105
74	74		2118795-00		146818 CLOCK/CALENDAR/RAM	1	1	1	1	E14

D	I	G	I	T	A	L	TITLE	SECTION C OF C	SIZE	CODE	DOCUMENT NUMBER	REV
							MAYFLOWER KA630		K	PL	M7606-0-DBP	D

LINE	ITEM	TOP DOCUMENT	PART NUMBER	MIN REV	DESCRIPTION	QTY PER VARIATION				REFERENCE DESIGNATOR
						CH E1	DA E1	DC E1	DH E1	
75	75		2120887-01		DC 333 MICROVAX,32BIT 68PIN	1	1	1	1	E43
76	76		2121384-02		RAM 8KX8,STATIC 150	2	2	2	2	E3,E4
77	77		2121413-02		*** THIS ITEM IS NOT USED ***	-	-	-	-	
78	78		2121415-02		*** THIS ITEM IS NOT USED ***	-	-	-	-	
79	79		2122797-01		DC 337 MICROVAX FLOATING PO	1	-	-	-	E42
80	80		2123389-01		GATE ARRAY,3200 GATE	1	1	1	1	E45
81	81		2123413-01		DC379 CMOS GATE ARRAY,144PGA,320	1	1	1	1	E44
82	82		23007L3-00		*** THIS ITEM IS NOT USED ***	-	-	-	-	
83	83		23008L3-00		L3-01 FPLS	1	1	1	1	E20
84	84		23009L3-00		L3-01	1	1	1	1	E26
85	85		23010L3-00		L3-01	1	1	1	1	E33
86	86		23018E6-00		*** THIS ITEM IS NOT USED ***	-	-	-	-	
87	87		23019E6-00		*** THIS ITEM IS NOT USED ***	-	-	-	-	
88	88		23036L1-00		*** THIS ITEM IS NOT USED ***	-	-	-	-	
89	89		23115F2-00		F2-03	1	1	1	1	E79
90	90		23169J5-00		J5-03 PAL,LOGIC	1	1	1	1	E40
91	91		23170J5-00		J5-03 PAL,LOGIC	1	1	1	1	E78
92	92		23171J5-00		J5-03 PAL,LOGIC	1	1	1	1	E86
93	93		23E42F1-00		*** THIS ITEM IS NOT USED ***	-	-	-	-	
94	94		9000024-01		EYELET,ROLLED 0.1210DX0.192	4	4	4	4	
95	95		9009185-00		JUMPER, WIRE, INSULATED, BLACK B	3	3	3	3	W2,W3,W6
96	96		9907004-06		CARTON,DIE CUT,B,200PSI W/ARTWOR	1	1	1	1	
97	97		9907025-06		BAG,ANTISTATIC BUBBLE	1	1	1	1	
98	98		9907092-04		BAG,TRANSLUCENT,ESD PROTECTIVE	1	1	1	1	
99	99		23034E6-00		*** THIS ITEM IS NOT USED ***	-	-	-	-	
100	100		23035E6-00		*** THIS ITEM IS NOT USED ***	-	-	-	-	
101	101		23053L1-00		L1-01	1	1	1	1	E27
102	102		23062E6-00		E6-02 U	1	1	1	1	E22
103	103		23063E6-00		E6-02 U	1	1	1	1	E21
104	104		23014L3-00		L3-01	1	1	1	1	E39

- 105 NOTE: M7606-AA IS THE PRIMARY VARIATION OF THE KA630 CPU.
- 106 NOTE: M7606-AC IS THE MODULE USING FUJITSU 256K RAMS.
- 107 NOTE: M7606-AH IS THE MODULE USING NEC 256K RAMS.
- 108 NOTE: M7606-BA IS THE AA VERSION WITHOUT FLOATING POINT.
- 109 NOTE: M7606-BC IS THE MODULE USING FUJITSU 256K RAMS.
- 110 NOTE: M7606-BH IS THE MODULE USING NEC 256K RAMS.
- 111 NOTE: M7606-CA IS THE AA VERSION USING 64K RAMS
- 112 NOTE: M7606-CC IS THE MODULE USING FUJITSU 64K RAMS.
- 113 NOTE: M7606-CH IS THE MODULE USING NEC 64K RAMS.
- 114 NOTE: M7606-DA IS THE CA VERSION WITHOUT FLOATING POINT.
- 115 NOTE: M7606-DC IS THE MODULE USING FUJITSU 64K RAMS.
- 116 NOTE: M7606-DH IS THE MODULE USING NEC 64K RAMS.

D	I	G	I	T	A	L	TITLE	MAYFLOWER	SECTION C	OF C	SIZE	CODE	DOCUMENT NUMBER	REV
							KA630				K	PL	M7606-0-DBP	D



### KA630-AA, -AB, -AC, -AD (M7606) DRAWING DIRECTORY

#### DATA PATH

- 0 MICROVAX II SYSTEM
- 1 KA630 - uVAX on Q22 Bus
  - 1.1 uVAX & FPU
    - 1.1.1 uVAX & FPU PINOUTS
  - 1.2 ADDRESS LATCH/LOCAL MEMORY DECODE
  - 1.3 Memory Subsystem
  - 1.4 Q22 Bus Interface Gate Array
    - 1.4.1-1.4.2, 1.4.1.1-1.4.1.9
  - 1.5 Translation Map Group
  - 1.6 KA630 QBUS INTERFACE
  - 1.7 uVAX Interface Gate Array
    - 1.7.1-1.7.2, 1.7.2.1-1.7.2.10
  - 1.8 TOY CLOCK
  - 1.9 Console Serial Line Interface
  - 1.10 LEDs and Configuration Connector
  - 1.11 Decoupling Capacitors

#### CONTROL

- 2 KA630 State Machines
  - 2.1 uVAX Cycle Controller
    - 2.1.1 MEMORY SEQUENCER
    - 2.1.2 MEMORY SEQUENCER SUPPORT
  - 2.2 Q22 BUS STATE MACHINES

#### MISC.

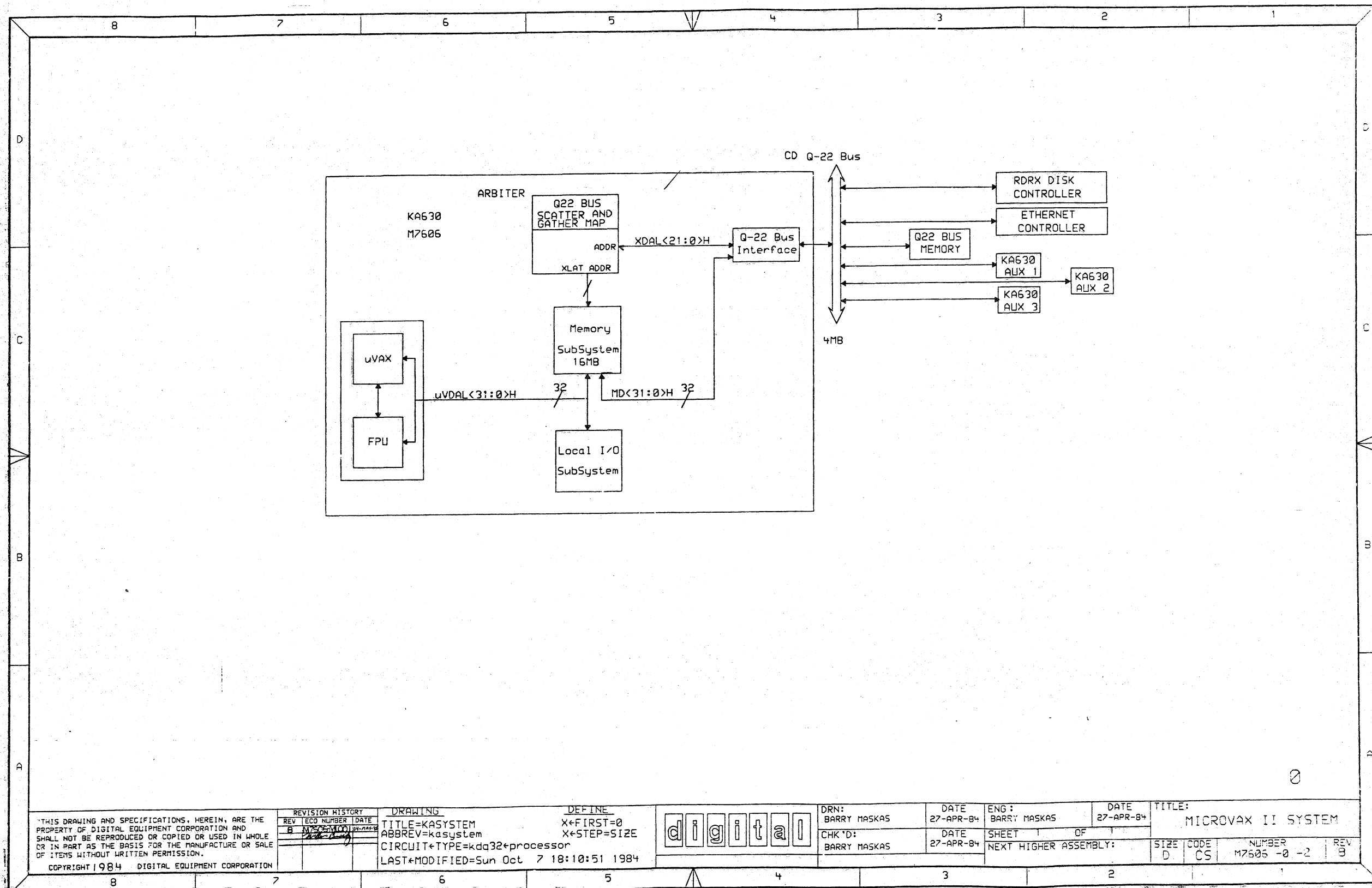
- 3 KA630 MEMORY ARBITER LISTING
  - 3.1-3.2 KA630 MEMORY ARBITER FLOW DIAGRAM
- 4 KA630 LOCAL I/O CONTROL MACHINE LISTING
  - 4.1 KA630 LOCAL I/O CONTROL MACHINE FLOW DIAGRAM
- 5 Q22 BUS ARBITRATION CONTROL MACHINE LISTING
  - 5.1 Q22 BUS ARBITRATION CONTROL MACHINE FLOW DIAGRAM
- 6 Q22 BUS MASTER CONTROL MACHINE LISTING
  - 6.1 Q22 BUS MASTER CONTROL MACHINE FLOW DIAGRAM
- 7 Q22 BUS SLAVE CONTROL MACHINE LISTING
  - 7.1-7.2 Q22 BUS SLAVE CONTROL MACHINE FLOW DIAGRAM
- 8 1KX4 RAS DECODE PROM (E79) LISTING
- 9 PALASM LISTINGS FOR PAL16L8A DEVICES
- 10 MNEMONIC DICTIONARY

DRAWING  
 TITLE=DIRECTORY  
 ABBREV=DIRECT  
 CIRCUIT+TYPE=DOCUMENTATION  
 LAST+MODIFIED=Sun Dec 9 16:50:34 1984

DEFINE  
 X+FIRST=0  
 X+STEP=SIZE

REVISION	1	Joe M. Mullin
CHK CHANGE NO REV		
M7606M7606 B		
JOE M. MULLIN		

<b>digital</b>	DRN. MASKAS & McNamara	DATE 8-DEC-83	ENG. MASKAS & McNamara	DATE 8-DEC-83	TITLE: M7606 DRAWING DIRECTORY
USRA1	CHK'D MASKAS & McNamara	DATE 8-DEC-83	BOARD LOCATION:	SHEET	OF
FIRST USED ON OPTION/MODEL:	TOP DOCUMENT NUMBER:			SIZE CODE D CS	NUMBER M7606 -0 -1
					REV B



THIS DRAWING AND SPECIFICATIONS, HEREIN, ARE THE PROPERTY OF DIGITAL EQUIPMENT CORPORATION AND SHALL NOT BE REPRODUCED OR COPIED OR USED IN WHOLE OR IN PART AS THE BASIS FOR THE MANUFACTURE OR SALE OF ITEMS WITHOUT WRITTEN PERMISSION.  
 COPYRIGHT 1984 DIGITAL EQUIPMENT CORPORATION

REV	ECO NUMBER	DATE
B	M7605-00	27-APR-84

**DRAWING**  
 TITLE=KASystem  
 ABBREV=kasystem  
 CIRCUIT+TYPE=kdq32+processor  
 LAST\*MODIFIED=Sun Oct 7 18:10:51 1984

**DEFINE**  
 X+FIRST=0  
 X+STEP=SIZE

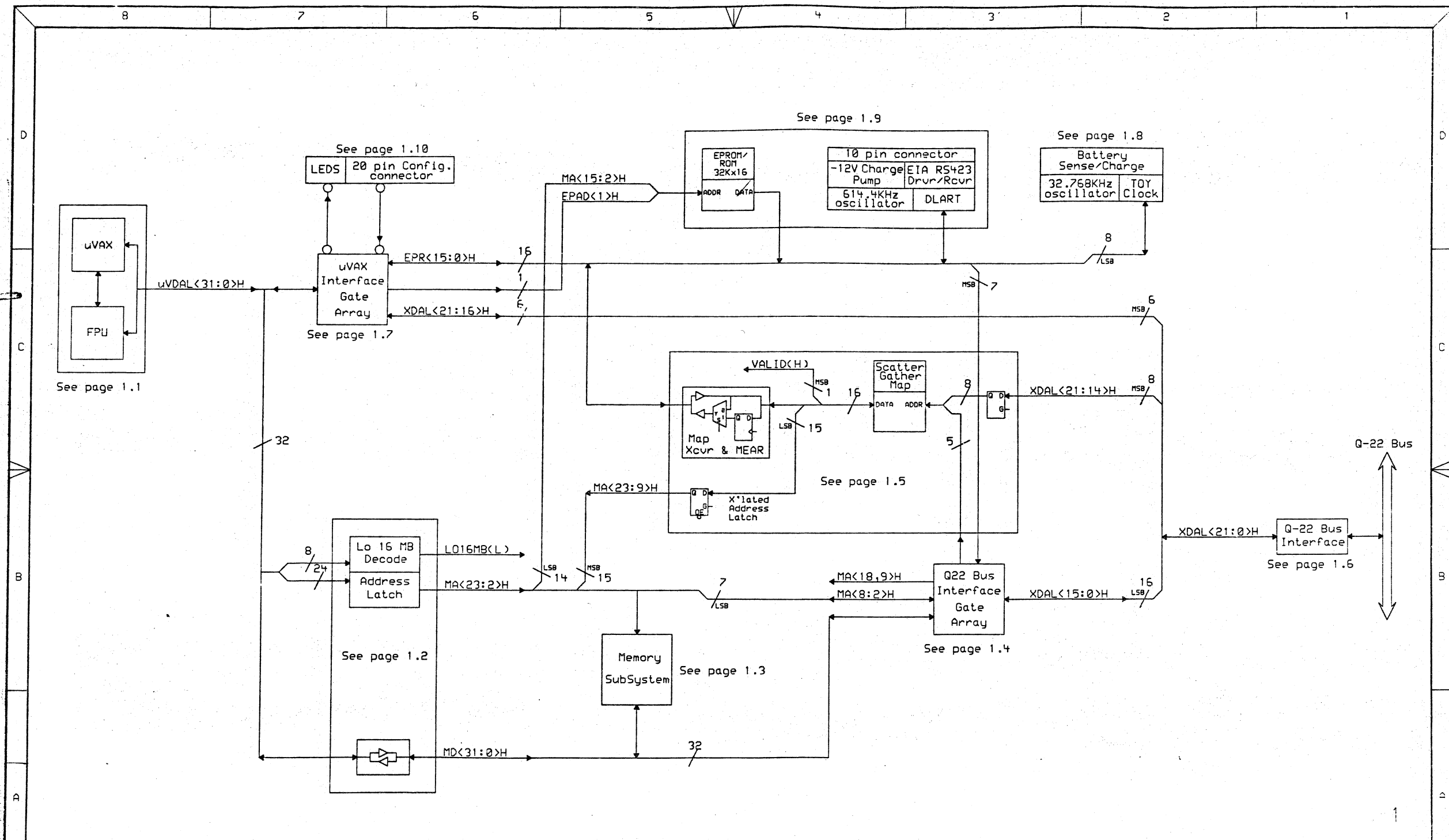


DRN: BARRY MASKAS  
 CHK'D: BARRY MASKAS  
 DATE: 27-APR-84

ENG: BARRY MASKAS  
 SHEET 1 OF 1  
 NEXT HIGHER ASSEMBLY:

DATE: 27-APR-84  
 TITLE: MICROVAX II SYSTEM  
 SIZE: D CODE: CS NUMBER: M7605-00-2 REV: B





"THIS DRAWING AND SPECIFICATIONS, HEREIN, ARE THE PROPERTY OF DIGITAL EQUIPMENT CORPORATION AND SHALL NOT BE REPRODUCED OR COPIED OR USED IN WHOLE OR IN PART AS THE BASIS FOR THE MANUFACTURE OR SALE OF ITEMS WITHOUT WRITTEN PERMISSION.  
 COPYRIGHT 1984 DIGITAL EQUIPMENT CORPORATION

REVISION HISTORY		
REV	ECO NUMBER	DATE
B	M7606-0-3	3-10-84

**DRAWING**  
 TITLE=KDG32  
 ABBREV=kdq32  
 CIRCUIT+TYPE=kdq32+processor  
 LAST+MODIFIED=Fri Oct 12 11:27:57 1984

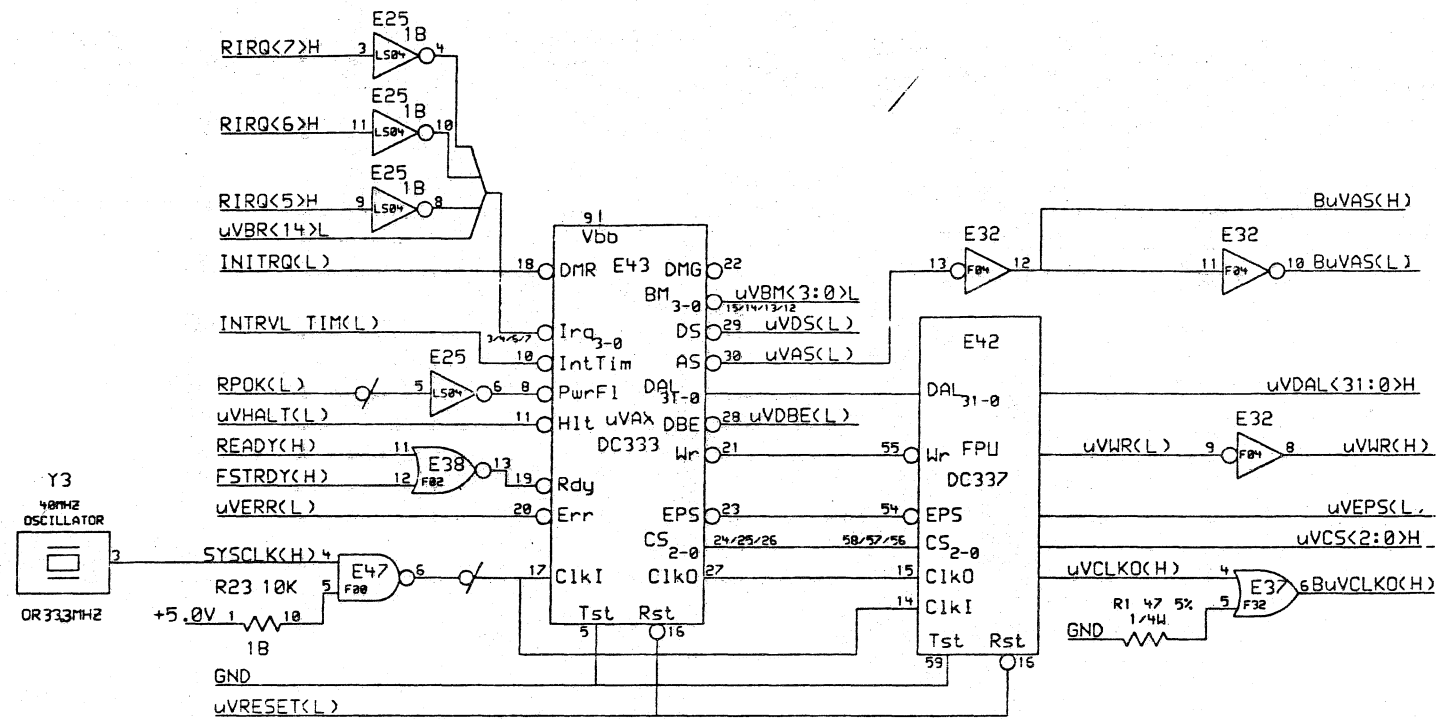
DEFINE  
 X<FIRST=0  
 X<STEP=SIZE

**digital**

DRN: R. McNamara	DATE 3-OCT-84	ENG: R. McNamara	DATE 3-OCT-84
CHK'D: R. McNamara	DATE 3-OCT-84	SHEET 1 OF 1	

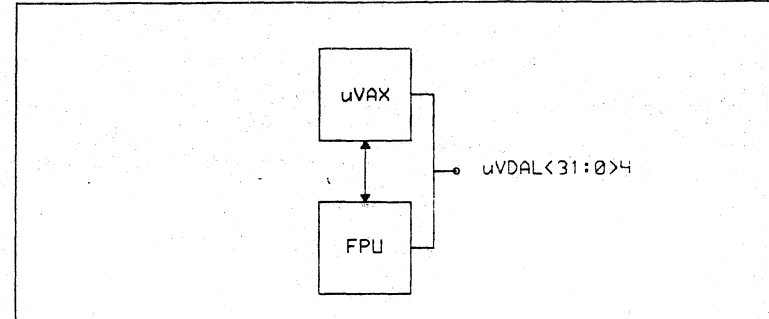
NEXT HIGHER ASSEMBLY:

TITLE: KA630 - uVAX on Q22 Bus			
SIZE 0	CODE CS	NUMBER M7606 -0 -3	REV B



uVAS<L> CYCLES  
uVCS<2:0>H uVWR<L>  
LHH H interrupt acknowledge (IAK)  
HLH H read (i - stream)  
HLH H read (lock)  
HLx H read (D - stream)  
HLH L write (unlock)  
HHH L write (D - stream)  
x => don't care

uVEPS<L> CYCLES  
uVCS<2:0>H uVWR<L>  
HLH H read data  
HHH H read response (uVCS<2> pulled low by responder)  
HLH L write command (fpu)  
HLH L write data  
HHH L write command (non-fpu)

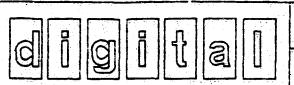


"THIS DRAWING AND SPECIFICATIONS, HEREIN, ARE THE PROPERTY OF DIGITAL EQUIPMENT CORPORATION AND SHALL NOT BE REPRODUCED OR COPIED OR USED IN WHOLE OR IN PART AS THE BASIS FOR THE MANUFACTURE OR SALE OF ITEMS WITHOUT WRITTEN PERMISSION.  
COPYRIGHT 1984 DIGITAL EQUIPMENT CORPORATION

REVISION HISTORY		
REV	LEAD NUMBER	DATE
1	M/1000	10/2/84

DRAWING  
TITLE=UVAX  
ABBREV=UVAX+FPU  
CIRCUIT+TYPE=UVAX/FPU  
LAST+MODIFIED=Fri Nov 9 18:39:57 1984

DEFINE  
X+FIRST=0  
X+STEP=SIZE



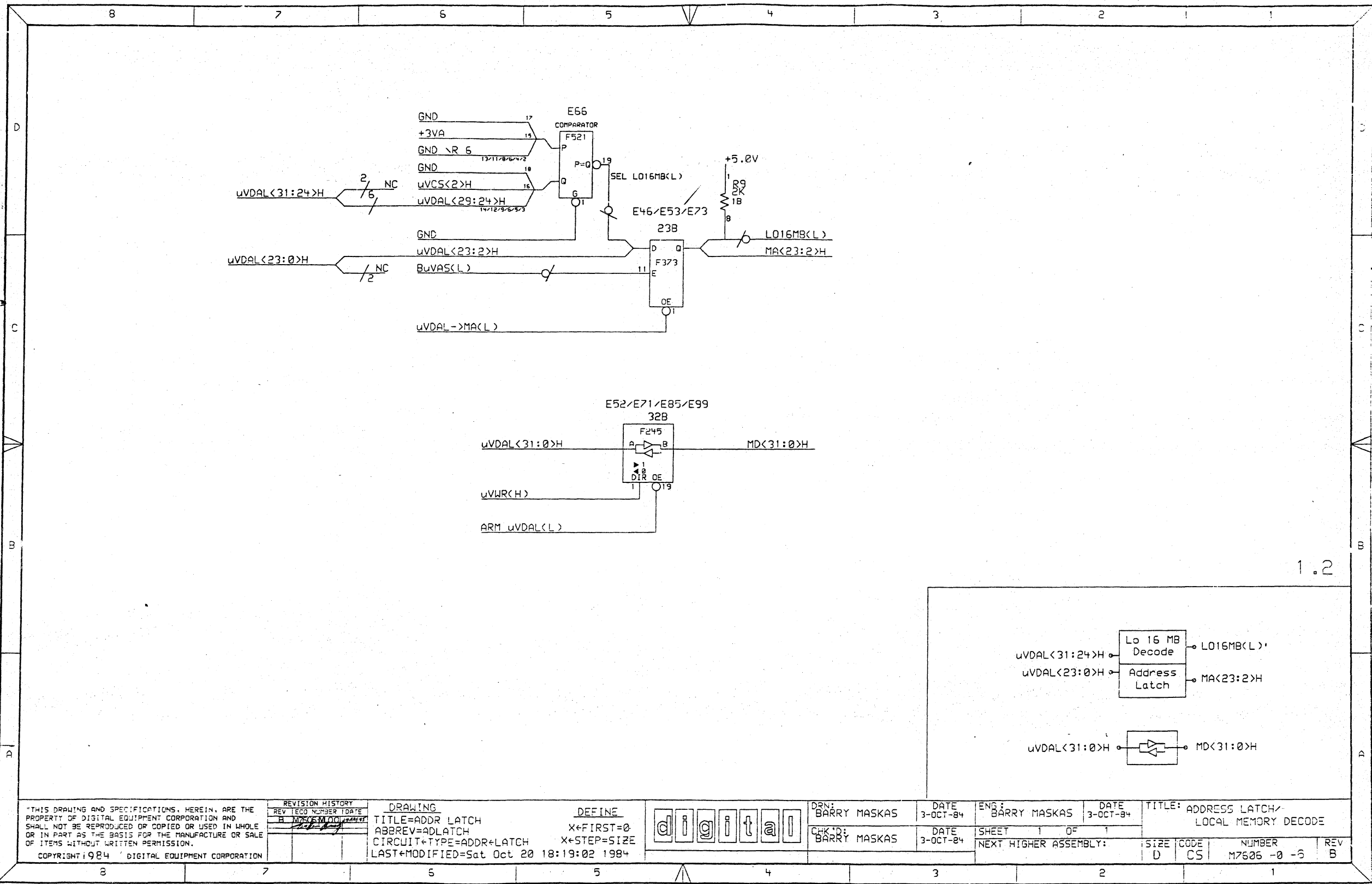
DRN: BARRY MASKAS  
CHK'D: BARRY MASKAS

DATE 3-OCT-84

ENG: BARRY MASKAS  
DATE 3-OCT-84  
SHEET 1 OF 1  
NEXT HIGHER ASSEMBLY:

TITLE: UVAX & FPU

SIZE	CODE	NUMBER	REV
D	CS	117505 -0 -4	B



1.2

"THIS DRAWING AND SPECIFICATIONS, HEREIN, ARE THE PROPERTY OF DIGITAL EQUIPMENT CORPORATION AND SHALL NOT BE REPRODUCED OR COPIED OR USED IN WHOLE OR IN PART AS THE BASIS FOR THE MANUFACTURE OR SALE OF ITEMS WITHOUT WRITTEN PERMISSION.  
 COPYRIGHT 1984 DIGITAL EQUIPMENT CORPORATION

REVISION HISTORY		
REV	TECD NUMBER	DATE
1		

**DRAWING**  
 TITLE=ADDR LATCH  
 ABBREV=ADLATCH  
 CIRCUIT+TYPE=ADDR+LATCH  
 LAST+MODIFIED=Sat Oct 20 18:19:02 1984

**DEFINE**  
 X\*FIRST=0  
 X\*STEP=SIZE



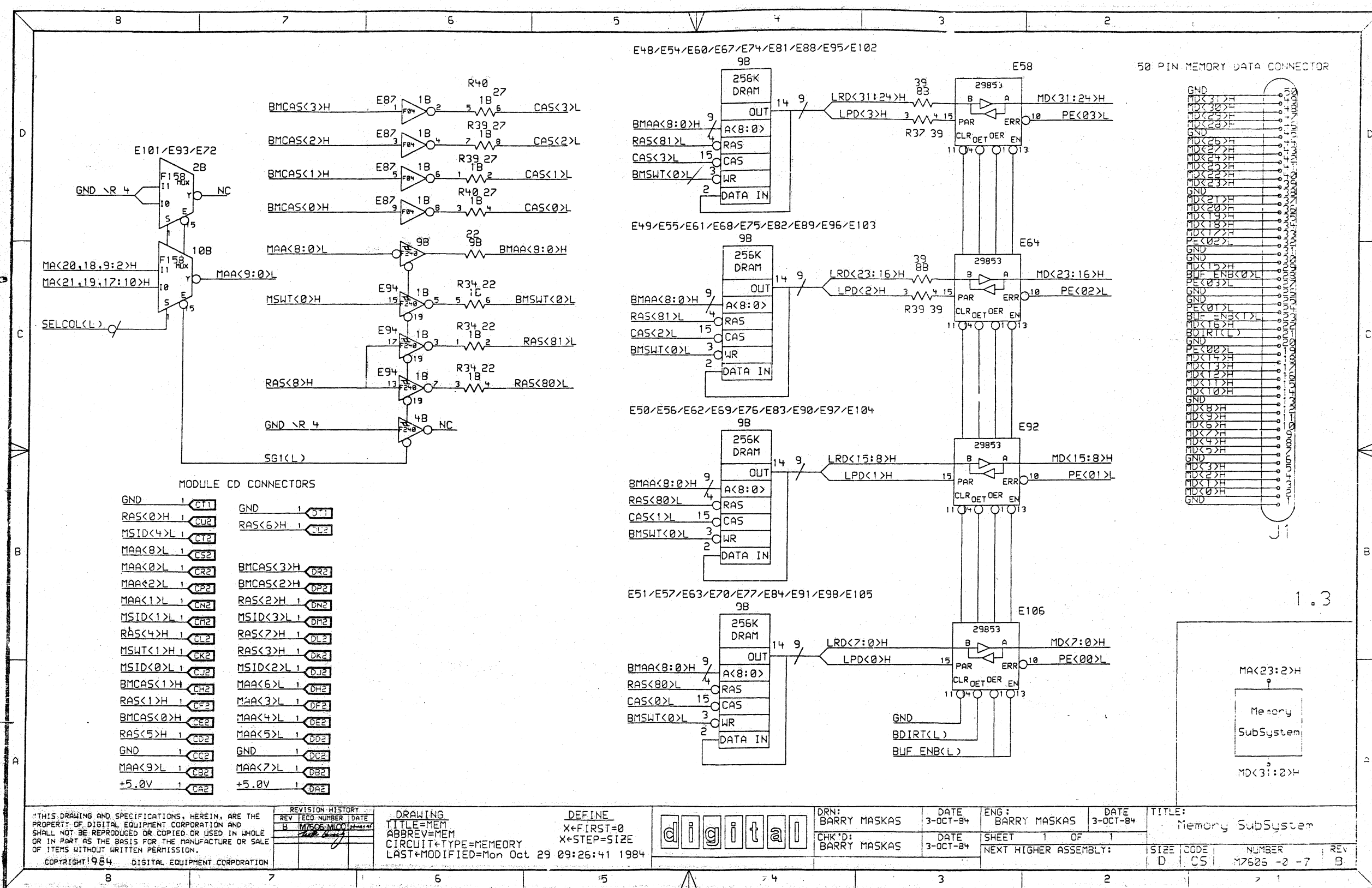
DRN: BARRY MASKAS  
 CHK ID: BARRY MASKAS

DATE 3-OCT-84  
 DATE 3-OCT-84

ENG: BARRY MASKAS  
 SHEET 1 OF 1

DATE 3-OCT-84  
 NEXT HIGHER ASSEMBLY:

TITLE: ADDRESS LATCH/  
 LOCAL MEMORY DECODE  
 SIZE D CODE CS NUMBER 17505 -0 -5 REV B



MODULE CD CONNECTORS

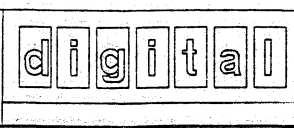
GND	1	CT1	GND	1	DT1
RAS<0>H	1	CU2	RAS<6>H	1	DU2
MSID<4>L	1	CT2			
MAA<8>L	1	CS2			
MAA<0>L	1	CR2	BMCAS<3>H	1	DR2
MAA<2>L	1	CP2	BMCAS<2>H	1	DP2
MAA<1>L	1	CN2	RAS<2>H	1	DN2
MSID<1>L	1	CM2	MSID<3>L	1	DM2
RAS<4>H	1	CL2	RAS<7>H	1	DL2
MSWT<1>H	1	EK2	RAS<3>H	1	DK2
MSID<0>L	1	CJ2	MSID<2>L	1	DJ2
BMCAS<1>H	1	CH2	MAA<6>L	1	DH2
RAS<1>H	1	CF2	MAA<3>L	1	DF2
BMCAS<0>H	1	CE2	MAA<4>L	1	DE2
RAS<5>H	1	CD2	MAA<5>L	1	DD2
GND	1	CC2	GND	1	DC2
MAA<9>L	1	CB2	MAA<7>L	1	DB2
+5.0V	1	CA2	+5.0V	1	DA2

\*THIS DRAWING AND SPECIFICATIONS, HEREIN, ARE THE PROPERTY OF DIGITAL EQUIPMENT CORPORATION AND SHALL NOT BE REPRODUCED OR COPIED OR USED IN WHOLE OR IN PART AS THE BASIS FOR THE MANUFACTURE OR SALE OF ITEMS WITHOUT WRITTEN PERMISSION.  
 COPYRIGHT 1984 DIGITAL EQUIPMENT CORPORATION

REVISION HISTORY

REV	ECO NUMBER	DATE
B	M7605-M1001	10/29/84

DRAWING TITLE=MEM ABBREV=MEM CIRCUIT TYPE=MEMORY LAST MODIFIED=Mon Oct 29 09:26:41 1984  
 DEFINE X+FIRST=0 X+STEP=SIZE

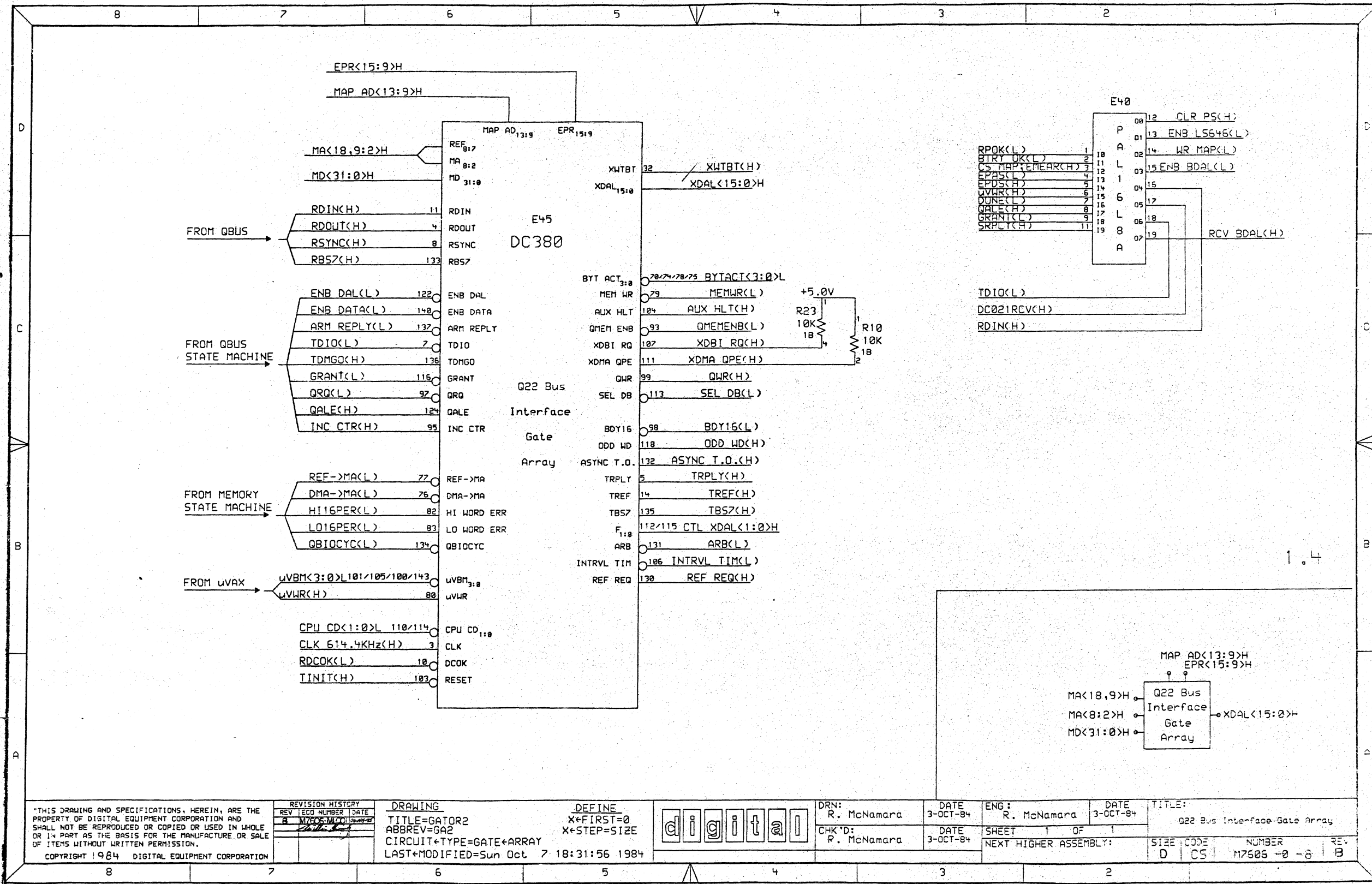


DRN: BARRY MASKAS	DATE: 3-OCT-84	ENG: BARRY MASKAS	DATE: 3-OCT-84
CHK'D: BARRY MASKAS	DATE: 3-OCT-84	SHEET 1 OF 1	NEXT HIGHER ASSEMBLY:

TITLE: Memory SubSystem

SIZE CODE	NUMBER	REV
D CS	M7605 -2 -7	B

1.3



"THIS DRAWING AND SPECIFICATIONS, HEREIN, ARE THE PROPERTY OF DIGITAL EQUIPMENT CORPORATION AND SHALL NOT BE REPRODUCED OR COPIED OR USED IN WHOLE OR IN PART AS THE BASIS FOR THE MANUFACTURE OR SALE OF ITEMS WITHOUT WRITTEN PERMISSION.  
 COPYRIGHT 1984 DIGITAL EQUIPMENT CORPORATION

REVISION HISTORY		
REV	ECO NUMBER	DATE
1	1	10/7/84
2	1	10/7/84

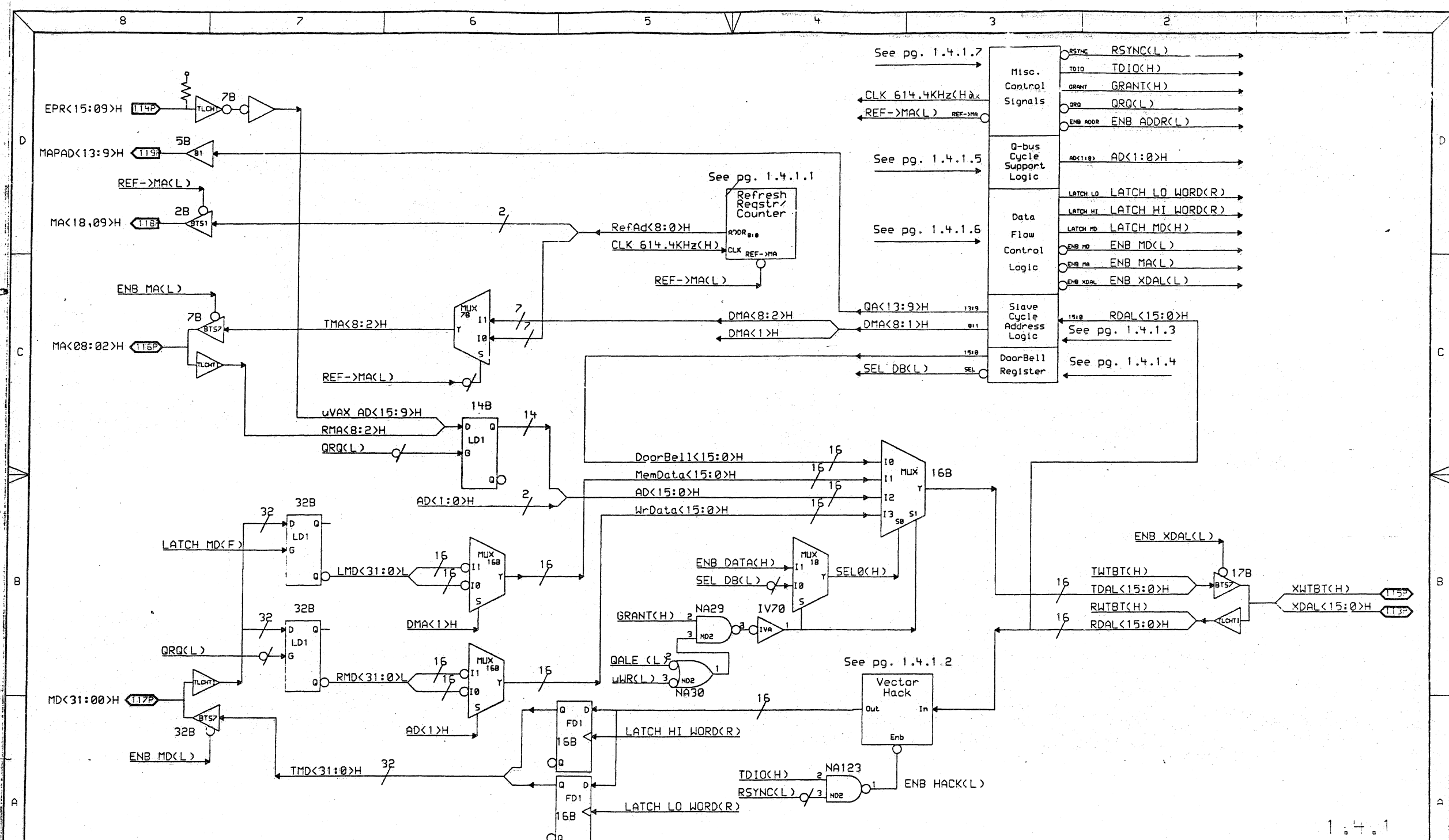
**DRAWING**  
 TITLE=GATOR2  
 ABBREV=GA2  
 CIRCUIT+TYPE=GATE+ARRAY  
 LAST+MODIFIED=Sun Oct 7 18:31:56 1984

**DEFINE**  
 X\*FIRST=0  
 X\*STEP=SIZE  
 digital

DRN:  
 R. McNamara  
 CHK'D:  
 R. McNamara

DATE  
 3-OCT-84  
 DATE  
 3-OCT-84  
 SHEET 1 OF 1  
 NEXT HIGHER ASSEMBLY:

**TITLE:**  
 Q22 Bus Interface-Gate Array  
 SIZE CODE NUMBER REV  
 D CS 17505 -0 -8 B



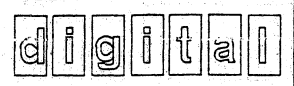
1.4.1

THIS DRAWING AND SPECIFICATIONS, HEREIN, ARE THE PROPERTY OF DIGITAL EQUIPMENT CORPORATION AND SHALL NOT BE REPRODUCED OR COPIED OR USED IN WHOLE OR IN PART AS THE BASIS FOR THE MANUFACTURE OR SALE OF ITEMS WITHOUT WRITTEN PERMISSION.  
 COPYRIGHT 1984 DIGITAL EQUIPMENT CORPORATION

REV	ECO NUMBER	DATE
B	1175	10-9-84

DRAWING  
 TITLE=GA2  
 ABBREV=GA2  
 LAST\*MODIFIED=Tue Oct 9 14:46:23 1984

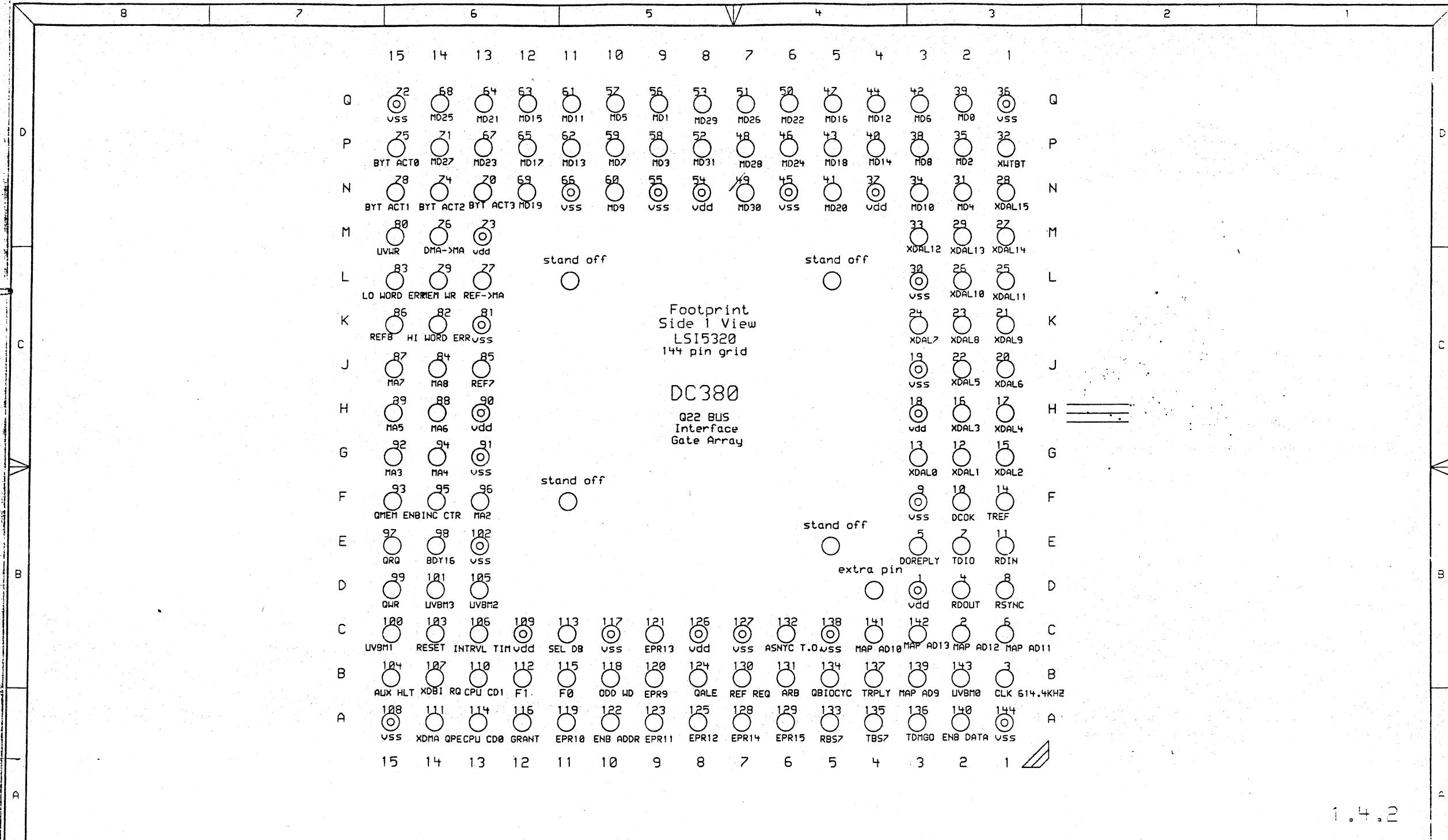
DEFINE  
 X\*FIRST=0  
 X\*STEP=SIZE



DRN:  
 R. McNamara  
 DATE  
 15-DEC-83  
 CHK'D:  
 R. McNamara  
 DATE  
 15-DEC-83

ENG:  
 R. McNamara  
 DATE  
 15-DEC-83  
 SHEET 1 OF 1  
 NEXT HIGHER ASSEMBLY:

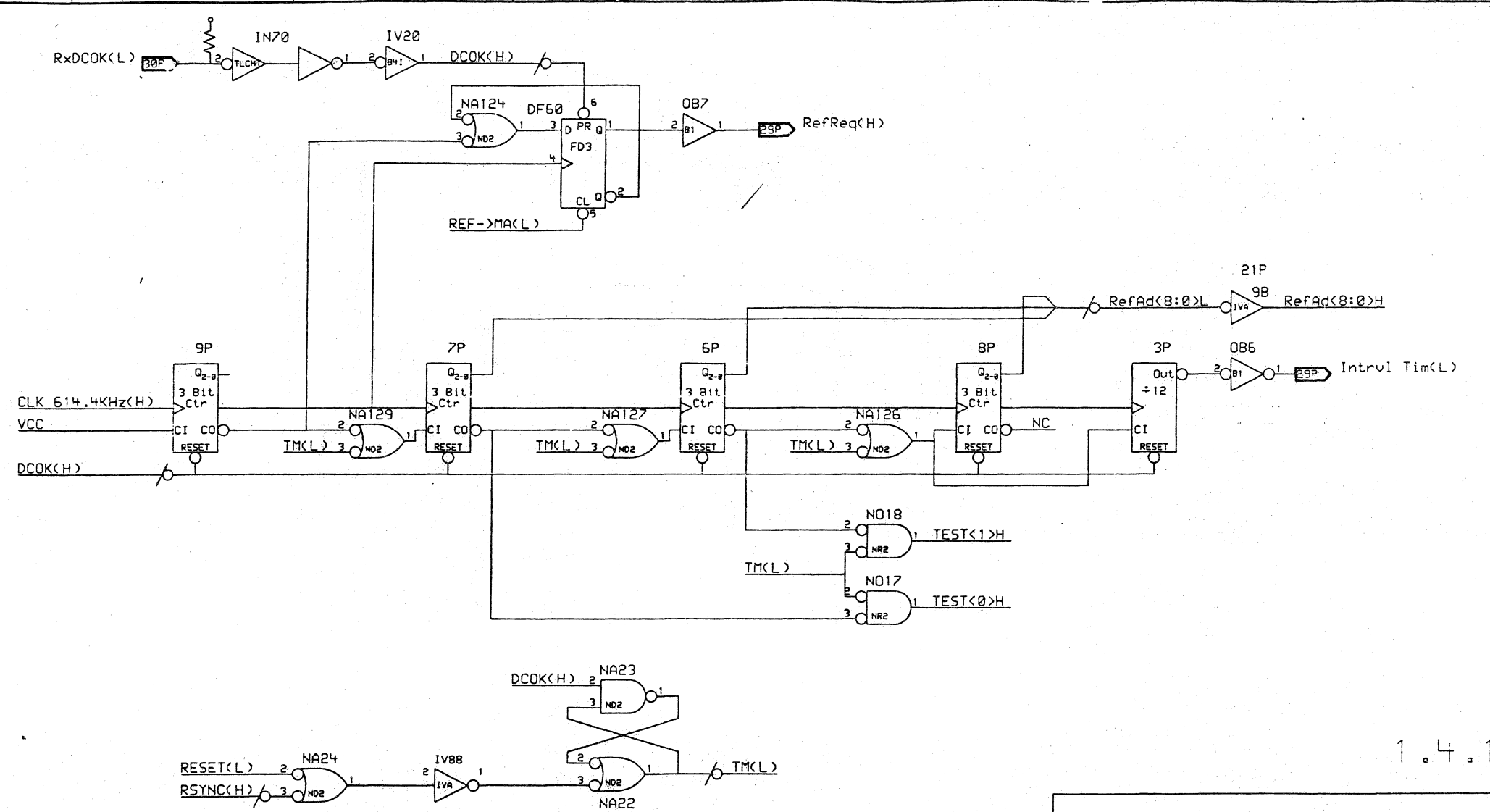
TITLE:  
 Q22 Bus Interface  
 Gate Array  
 SIZE CODE NUMBER REV  
 D CS M7505 -2 -3 =



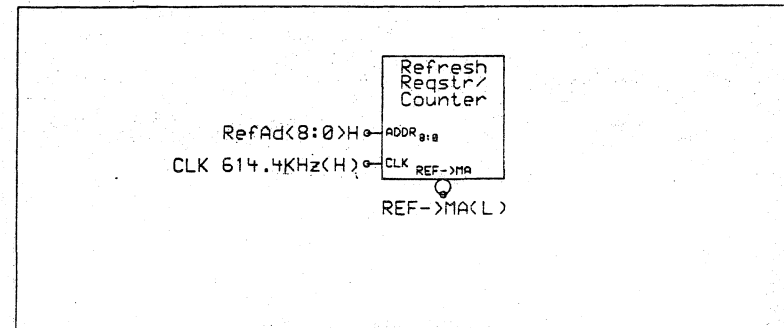
1.4.2

THIS DRAWING AND SPECIFICATIONS, HEREIN, ARE THE PROPERTY OF DIGITAL EQUIPMENT CORPORATION AND SHALL NOT BE REPRODUCED OR COPIED OR USED IN WHOLE OR IN PART AS THE BASIS FOR THE MANUFACTURE OR SALE OF ITEMS WITHOUT WRITTEN PERMISSION. COPYRIGHT 1984 DIGITAL EQUIPMENT CORPORATION		<table border="1"> <thead> <tr> <th colspan="3">REVISION HISTORY</th> </tr> <tr> <th>REV</th> <th>ECO NUMBER</th> <th>DATE</th> </tr> </thead> <tbody> <tr> <td>1</td> <td></td> <td>18-MAY-84</td> </tr> </tbody> </table>	REVISION HISTORY			REV	ECO NUMBER	DATE	1		18-MAY-84	<table border="1"> <tr> <td>DRN:</td> <td>DATE</td> <td>ENG:</td> <td>DATE</td> <td>TITLE:</td> </tr> <tr> <td>R. McNamara</td> <td>18-MAY-84</td> <td>R. McNamara</td> <td>18-MAY-84</td> <td>DC380 PAD ASSIGNMENT TOP VIEW</td> </tr> <tr> <td>CHK'D:</td> <td>DATE</td> <td>SHEET</td> <td>OF</td> <td></td> </tr> <tr> <td>R. McNamara</td> <td>18-MAY-84</td> <td>1</td> <td>1</td> <td></td> </tr> <tr> <td colspan="4">NEXT HIGHER ASSEMBLY:</td> <td>SIZE</td> </tr> <tr> <td colspan="4"></td> <td>D</td> </tr> <tr> <td colspan="4"></td> <td>CODE</td> </tr> <tr> <td colspan="4"></td> <td>CS</td> </tr> <tr> <td colspan="4"></td> <td>NUMBER</td> </tr> <tr> <td colspan="4"></td> <td>M7605 -0 -10</td> </tr> <tr> <td colspan="4"></td> <td>REV</td> </tr> <tr> <td colspan="4"></td> <td>B</td> </tr> </table>	DRN:	DATE	ENG:	DATE	TITLE:	R. McNamara	18-MAY-84	R. McNamara	18-MAY-84	DC380 PAD ASSIGNMENT TOP VIEW	CHK'D:	DATE	SHEET	OF		R. McNamara	18-MAY-84	1	1		NEXT HIGHER ASSEMBLY:				SIZE					D					CODE					CS					NUMBER					M7605 -0 -10					REV					B
REVISION HISTORY																																																																								
REV	ECO NUMBER	DATE																																																																						
1		18-MAY-84																																																																						
DRN:	DATE	ENG:	DATE	TITLE:																																																																				
R. McNamara	18-MAY-84	R. McNamara	18-MAY-84	DC380 PAD ASSIGNMENT TOP VIEW																																																																				
CHK'D:	DATE	SHEET	OF																																																																					
R. McNamara	18-MAY-84	1	1																																																																					
NEXT HIGHER ASSEMBLY:				SIZE																																																																				
				D																																																																				
				CODE																																																																				
				CS																																																																				
				NUMBER																																																																				
				M7605 -0 -10																																																																				
				REV																																																																				
				B																																																																				



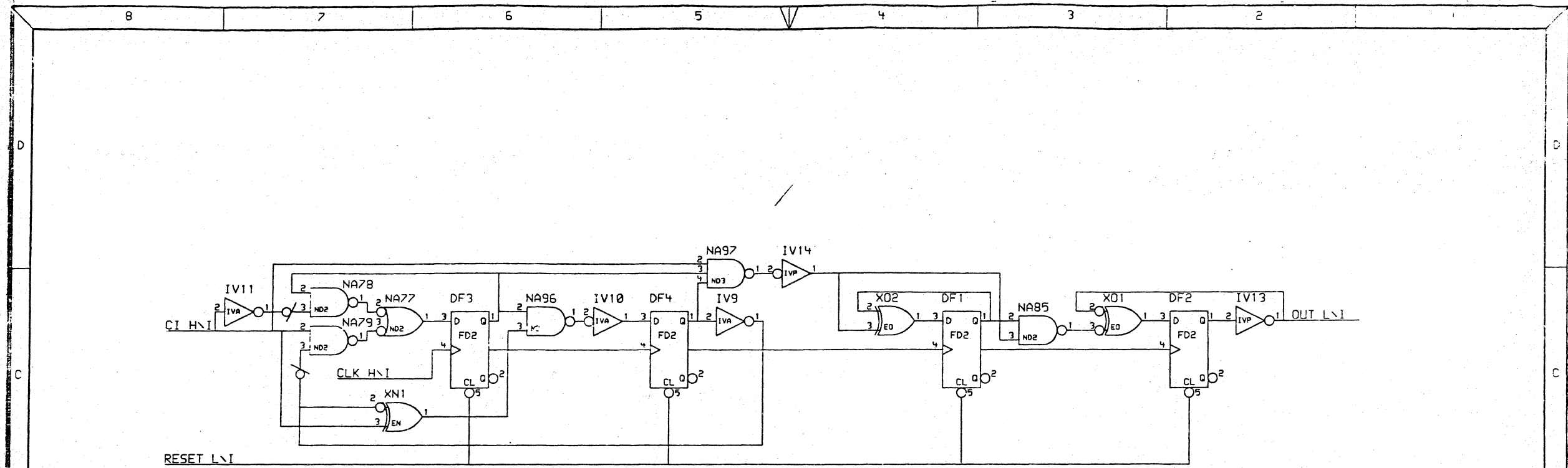


1.4.1.1



THIS DRAWING AND SPECIFICATIONS, HEREIN, ARE THE PROPERTY OF DIGITAL EQUIPMENT CORPORATION AND SHALL NOT BE REPRODUCED OR COPIED OR USED IN WHOLE OR IN PART AS THE BASIS FOR THE MANUFACTURE OR SALE OF ITEMS WITHOUT WRITTEN PERMISSION. COPYRIGHT 1984 DIGITAL EQUIPMENT CORPORATION	REVISION HISTORY REV 1 ECO NUMBER DATE H M7625-00 11/13/83	DRAWING LAST MODIFIED=Wed Oct 10 19:06:07 1984		DRN: R. McNamara	DATE 13-NOV-83	ENG: R. McNamara	DATE 13-NOV-83	TITLE: REFRESH LOGIC/COUNTER	
				CHK'D: R. McNamara	DATE 13-NOV-83	SHEET 1 OF 1 NEXT HIGHER ASSEMBLY:	SIZE D	CODE C5	NUMBER M7625 -0 -11

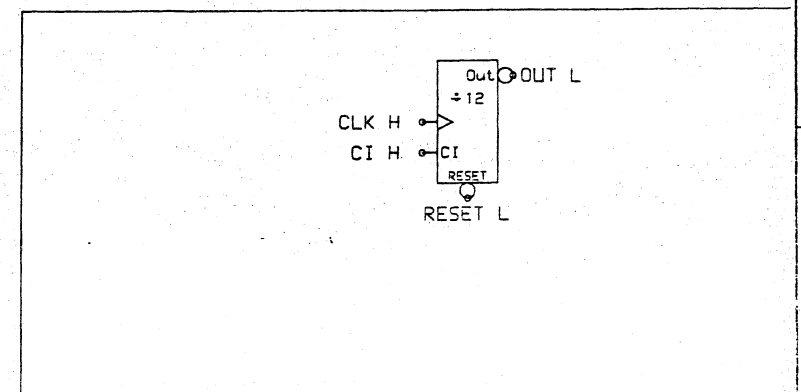




DIVIDE BY 3

DIVIDE BY 4

1.4.1.1.1

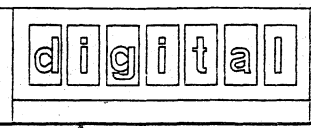


THIS DRAWING AND SPECIFICATIONS, HEREIN, ARE THE PROPERTY OF DIGITAL EQUIPMENT CORPORATION AND SHALL NOT BE REPRODUCED OR COPIED OR USED IN WHOLE OR IN PART AS THE BASIS FOR THE MANUFACTURE OR SALE OF ITEMS WITHOUT WRITTEN PERMISSION.  
 COPYRIGHT 1984 DIGITAL EQUIPMENT CORPORATION

REVISION HISTORY		
REV	ECO NUMBER	DATE
1	1	11/13/83

DRAWING  
 TITLE=DIV BY 12  
 ABBREV=DIV12  
 LAST\*MODIFIED=NOT WRITTEN

DEFINE  
 X\*FIRST=0  
 X\*STEP=SIZE

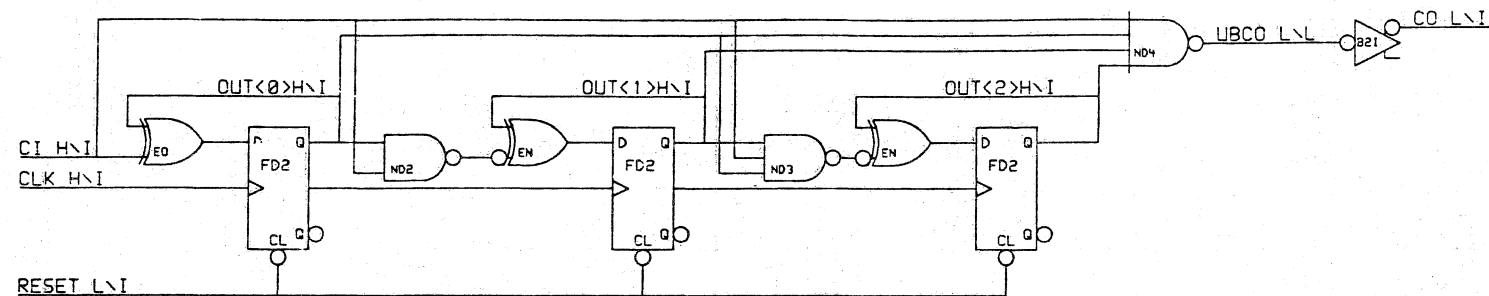


DRN:  
 R. McNamara  
 CHK'D:  
 R. McNamara

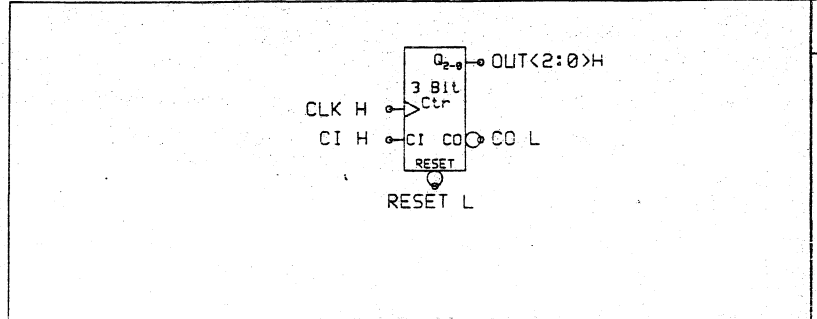
DATE  
 13-NOV-83  
 DATE  
 13-NOV-83

ENG:  
 R. McNamara  
 SHEET 1 OF 1  
 NEXT HIGHER ASSEMBLY:  
 TITLE:  
 Divide by 12

SIZE	CODE	NUMBER	REV
D	CS	M7525-0-12	B



1.4.1.1.2

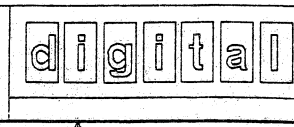


THIS DRAWING AND SPECIFICATIONS, HEREIN, ARE THE PROPERTY OF DIGITAL EQUIPMENT CORPORATION AND SHALL NOT BE REPRODUCED OR COPIED OR USED IN WHOLE OR IN PART AS THE BASIS FOR THE MANUFACTURE OR SALE OF ITEMS WITHOUT WRITTEN PERMISSION.  
 COPYRIGHT 1984 DIGITAL EQUIPMENT CORPORATION

REVISION HISTORY		
REV	LEAD NUMBER	DATE
B	M7505-00-13	01-04-77

**DRAWING**  
 TITLE=3 BIT CTR  
 ABBREV=3BCTR  
 CIRCUIT+TYPE=3BITCTR  
 LAST+MODIFIED=Sat Oct 20 18:47:47 1984

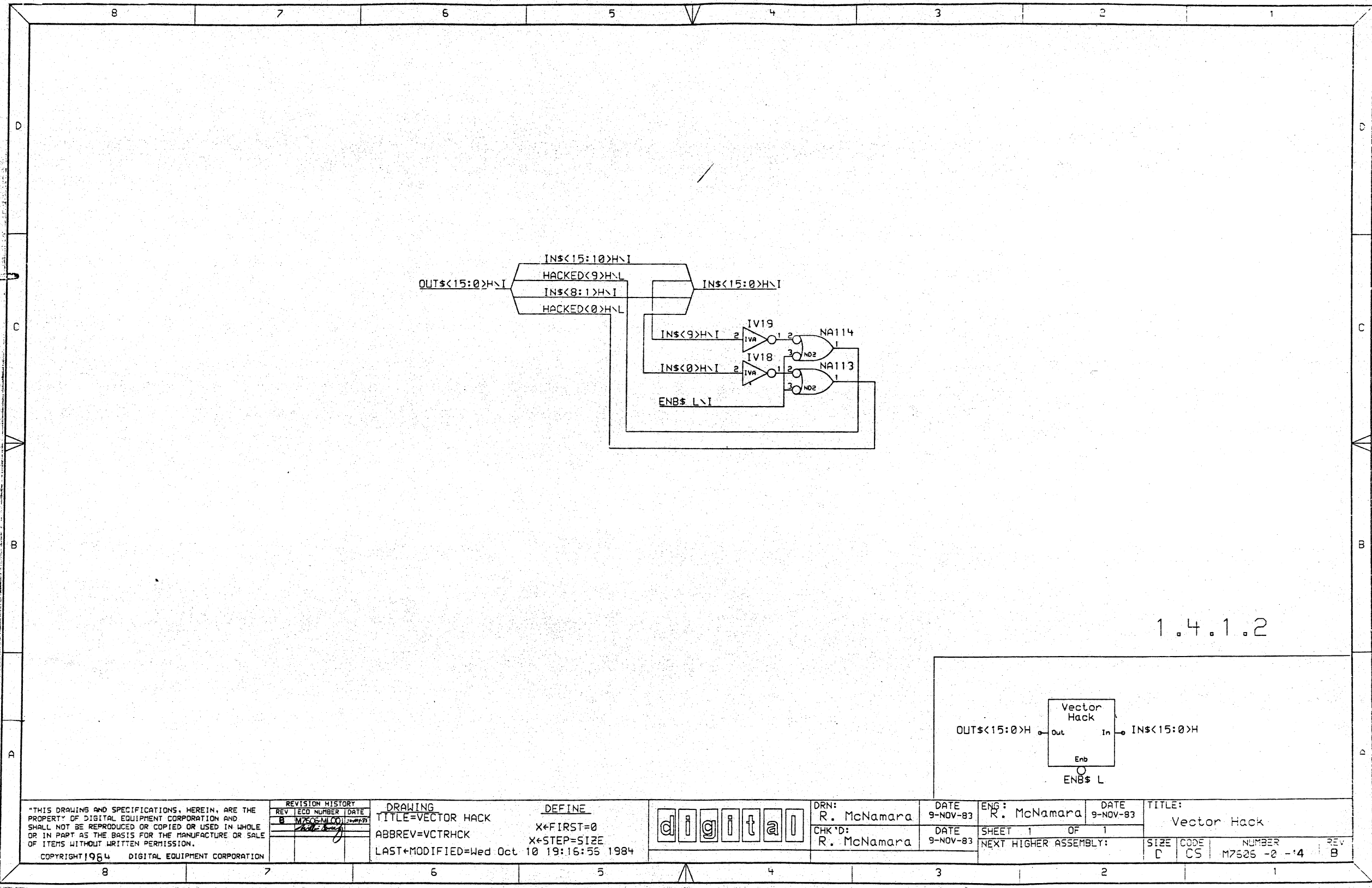
**DEFINE**  
 X+FIRST=0  
 X+STEP=SIZE



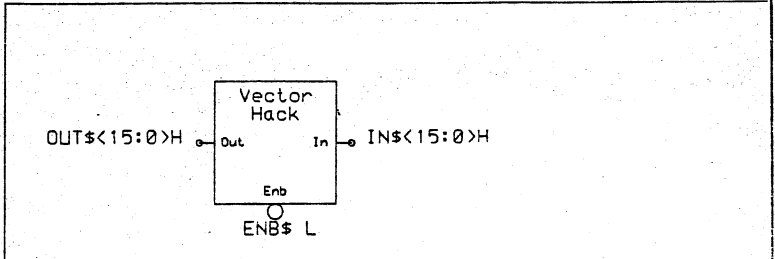
DRN: R. McNamara  
 DATE: 6-NOV-83  
 CHK'D: R. McNamara  
 DATE: 6-NOV-83

ENG: R. McNamara  
 DATE: 6-NOV-83  
 SHEET 1 OF 1  
 NEXT HIGHER ASSEMBLY:

TITLE: Synchronous 3 Bit Counter  
 SIZE: D  
 CODE: CS  
 NUMBER: M7505-00-13  
 REV: E



1.4.1.2

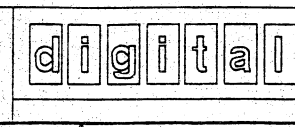


\*THIS DRAWING AND SPECIFICATIONS, HEREIN, ARE THE PROPERTY OF DIGITAL EQUIPMENT CORPORATION AND SHALL NOT BE REPRODUCED OR COPIED OR USED IN WHOLE OR IN PART AS THE BASIS FOR THE MANUFACTURE OR SALE OF ITEMS WITHOUT WRITTEN PERMISSION.  
 COPYRIGHT 1964 DIGITAL EQUIPMENT CORPORATION

REVISION HISTORY		
REV	ED NUMBER	DATE
B	M7525-1100	12-2-73

DRAWING TITLE=VECTOR HACK  
 ABBREV=VCTRCK  
 LAST\*MODIFIED=Wed Oct 10 19:16:55 1984

DEFINE X\*FIRST=0  
 X\*STEP=SIZE

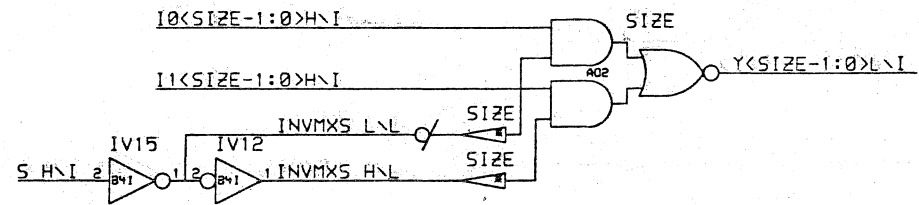


DRN: R. McNamara  
 CHK'D: R. McNamara

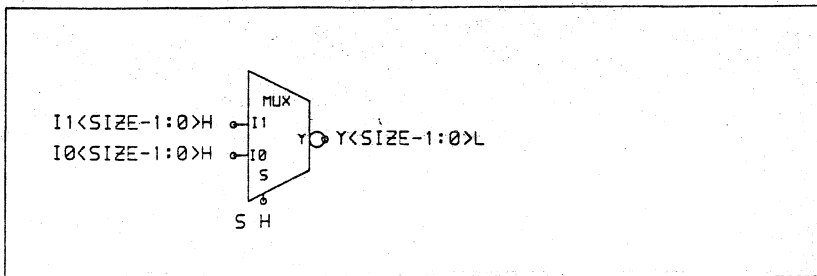
DATE 9-NOV-83  
 DATE 9-NOV-83

ENG: R. McNamara  
 SHEET 1 OF 1  
 NEXT HIGHER ASSEMBLY:

DATE 9-NOV-83  
 TITLE: Vector Hack  
 SIZE CODE NUMBER REV  
 D CS M7525 -2 -14 B



1.4.1.2A



"THIS DRAWING AND SPECIFICATIONS, HEREIN, ARE THE PROPERTY OF DIGITAL EQUIPMENT CORPORATION AND SHALL NOT BE REPRODUCED OR COPIED OR USED IN WHOLE OR IN PART AS THE BASIS FOR THE MANUFACTURE OR SALE OF ITEMS WITHOUT WRITTEN PERMISSION."

COPYRIGHT 1984 DIGITAL EQUIPMENT CORPORATION

REVISION HISTORY		
REV	EGO NUMBER	DATE
B	INV MUX	10/19/84

**DRAWING**  
 TITLE=INV MUX  
 ABBREV=INVMX  
 LAST MODIFIED=Wed Oct 10 19:20:46 1984

**DEFINE**  
 X+FIRST=0  
 X+STEP=SIZE

digital

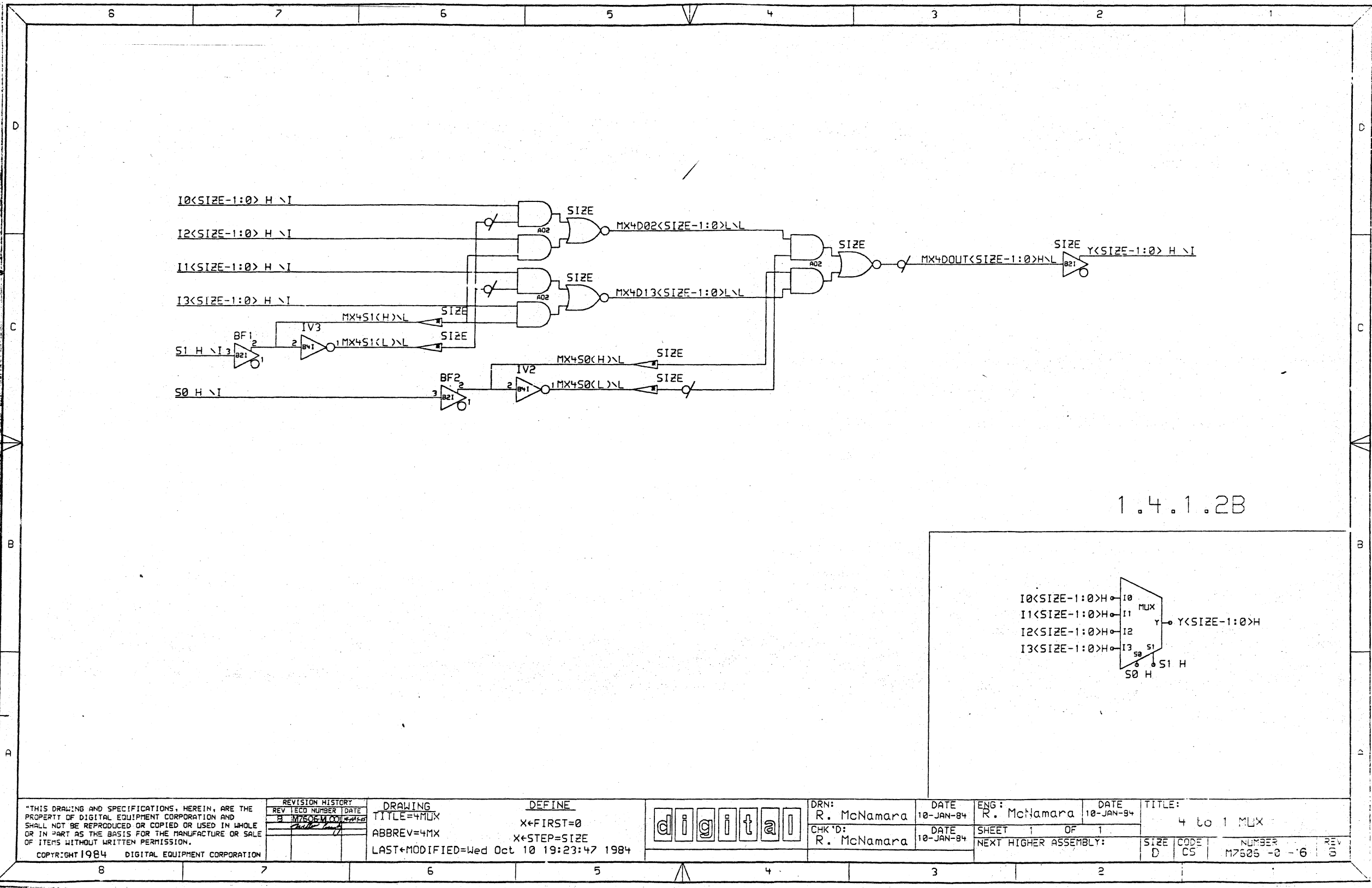
DRN:  
R. McNamara  
 CHK'D:  
R. McNamara

DATE  
23-Jan-84  
 DATE  
23-Jan-84

ENG:  
R. McNamara  
 SHEET 1 OF 1  
 NEXT HIGHER ASSEMBLY:

TITLE:  
Inverting MUX Logic

SIZE	CODE	NUMBER	REV
D	C5	M7605 -0 -15	B



"THIS DRAWING AND SPECIFICATIONS, HEREIN, ARE THE PROPERTY OF DIGITAL EQUIPMENT CORPORATION AND SHALL NOT BE REPRODUCED OR COPIED OR USED IN WHOLE OR IN PART AS THE BASIS FOR THE MANUFACTURE OR SALE OF ITEMS WITHOUT WRITTEN PERMISSION.  
COPYRIGHT 1984 DIGITAL EQUIPMENT CORPORATION

REV	REQ	NUMBER	DATE
1		1	10-JAN-84

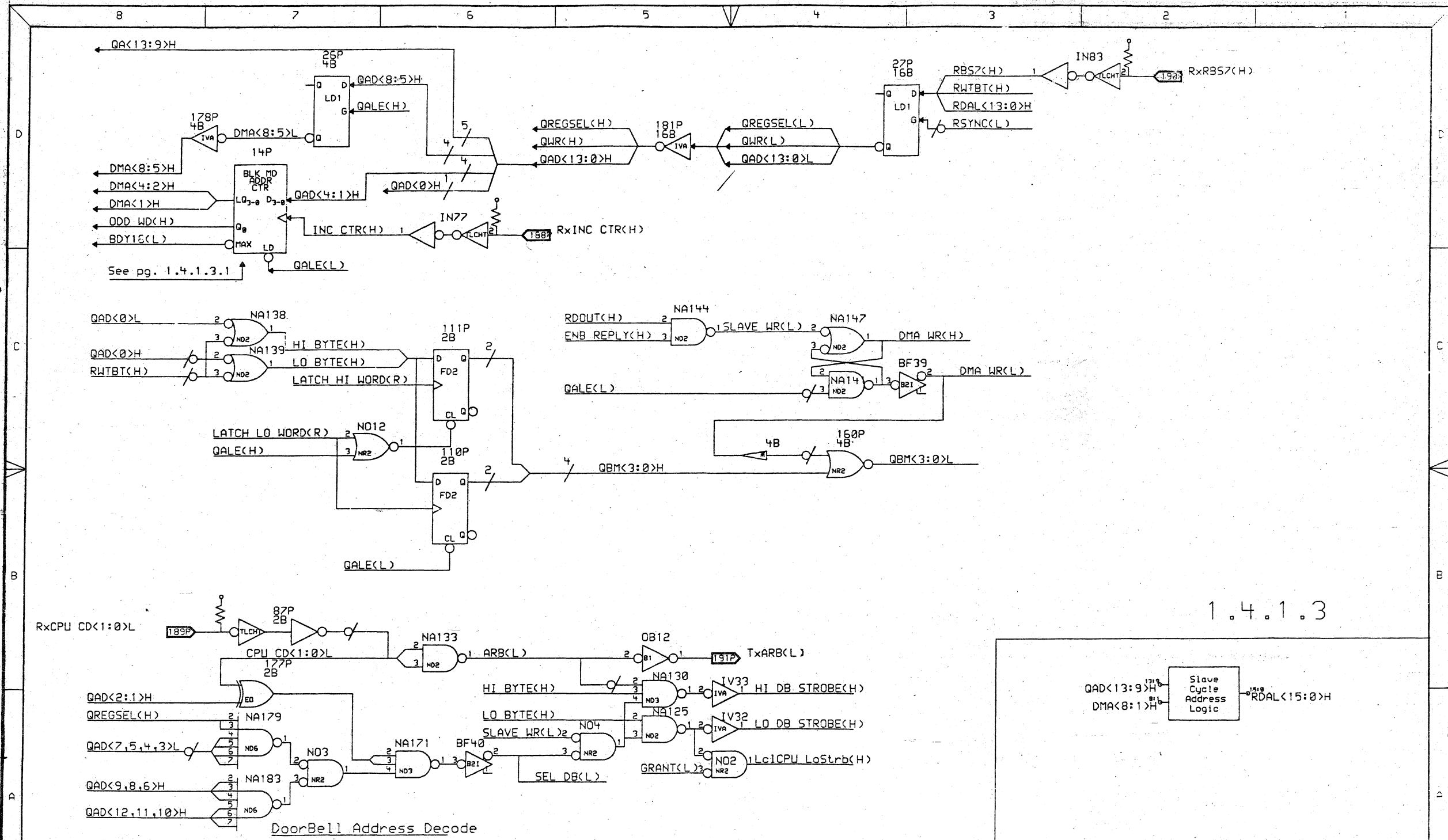
DRAWING  
TITLE=4MUX  
ABBREV=4MX  
LAST\*MODIFIED=Wed Oct 10 19:23:47 1984

DEFINE  
X\*FIRST=0  
X\*STEP=SIZE  
digital

DRN:  
R. McNamara  
CHK'D:  
R. McNamara

DATE  
10-JAN-84  
DATE  
10-JAN-84  
SHEET 1 OF 1  
NEXT HIGHER ASSEMBLY:

ENG:  
R. McNamara  
DATE  
10-JAN-84  
TITLE:  
4 to 1 MUX  
SIZE D  
CODE CS  
NUMBER M7505 -0 -6  
REV 3

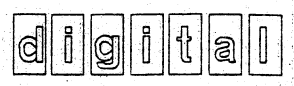


1.4.1.3

"THIS DRAWING AND SPECIFICATIONS, HEREIN, ARE THE PROPERTY OF DIGITAL EQUIPMENT CORPORATION AND SHALL NOT BE REPRODUCED OR COPIED OR USED IN WHOLE OR IN PART AS THE BASIS FOR THE MANUFACTURE OR SALE OF ITEMS WITHOUT WRITTEN PERMISSION.  
 COPYRIGHT 1984 DIGITAL EQUIPMENT CORPORATION

REVISION HISTORY		
REV	ECO NUMBER	DATE
B	M7605-11001	10/10/84

DRAWING  
 LAST MODIFIED=Wed Oct 10 19:32:56 1984



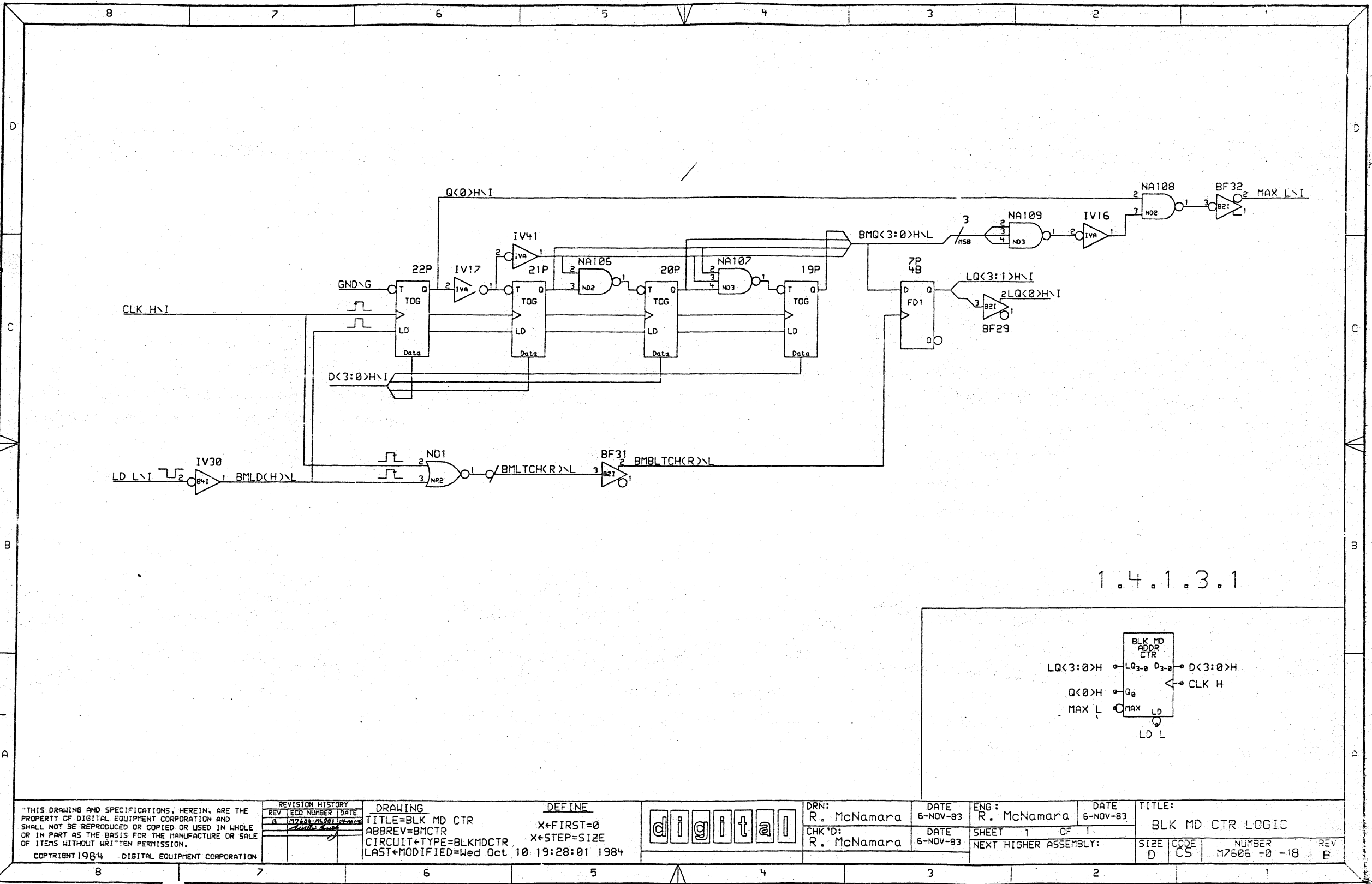
DRN: R. McNamara  
 CHK'D: R. McNamara

DATE: 15-NOV-83  
 DATE: 15-NOV-83

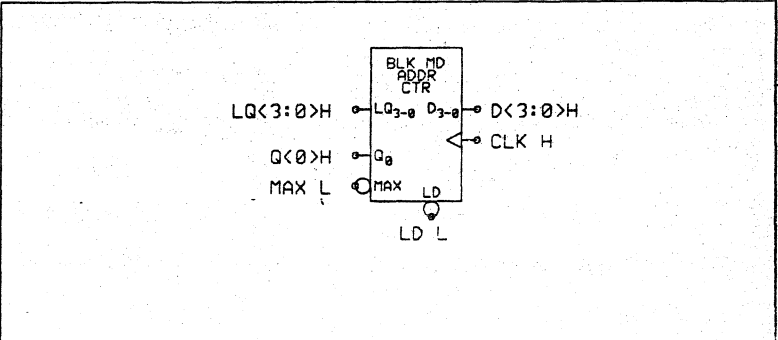
ENG: R. McNamara  
 SHEET 1 OF 1  
 NEXT HIGHER ASSEMBLY:

TITLE: Q-bus Support Logic

SIZE	CODE	NUMBER	REV
D	CS	M7605-0-17	B



1.4.1.3.1



"THIS DRAWING AND SPECIFICATIONS, HEREIN, ARE THE PROPERTY OF DIGITAL EQUIPMENT CORPORATION AND SHALL NOT BE REPRODUCED OR COPIED OR USED IN WHOLE OR IN PART AS THE BASIS FOR THE MANUFACTURE OR SALE OF ITEMS WITHOUT WRITTEN PERMISSION.  
COPYRIGHT 1984 DIGITAL EQUIPMENT CORPORATION

REV	ECO NUMBER	DATE
A	17424	AL001 11/2/83

**DRAWING**  
 TITLE=BLK MD CTR  
 ABBREV=BMCTR  
 CIRCUIT+TYPE=BLKMDCTR  
 LAST+MODIFIED=Wed Oct 10 19:28:01 1984

**DEFINE**  
 X+FIRST=0  
 X+STEP=SIZE



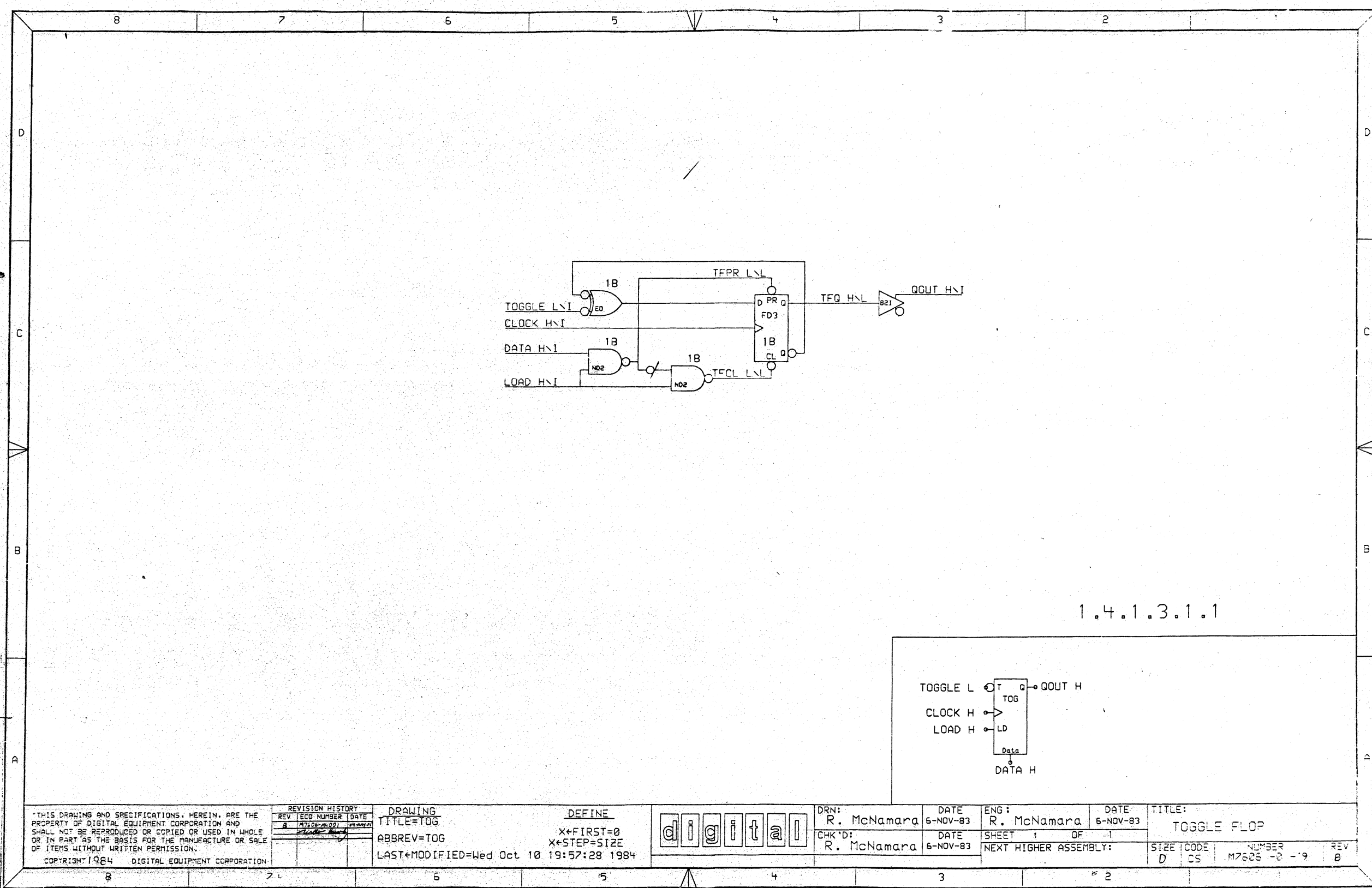
DRN: R. McNamara  
 CHK'D: R. McNamara

DATE 6-NOV-83  
 DATE 6-NOV-83

ENG: R. McNamara  
 DATE 6-NOV-83  
 SHEET 1 OF 1  
 NEXT HIGHER ASSEMBLY:

SIZE	CODE	NUMBER	REV
D	CS	17605 -0 -18	B





1.4.1.3.1.1

"THIS DRAWING AND SPECIFICATIONS, HEREIN, ARE THE PROPERTY OF DIGITAL EQUIPMENT CORPORATION AND SHALL NOT BE REPRODUCED OR COPIED OR USED IN WHOLE OR IN PART AS THE BASIS FOR THE MANUFACTURE OR SALE OF ITEMS WITHOUT WRITTEN PERMISSION.  
 COPYRIGHT 1984 DIGITAL EQUIPMENT CORPORATION

REVISION HISTORY		
REV	ECO NUMBER	DATE
1		

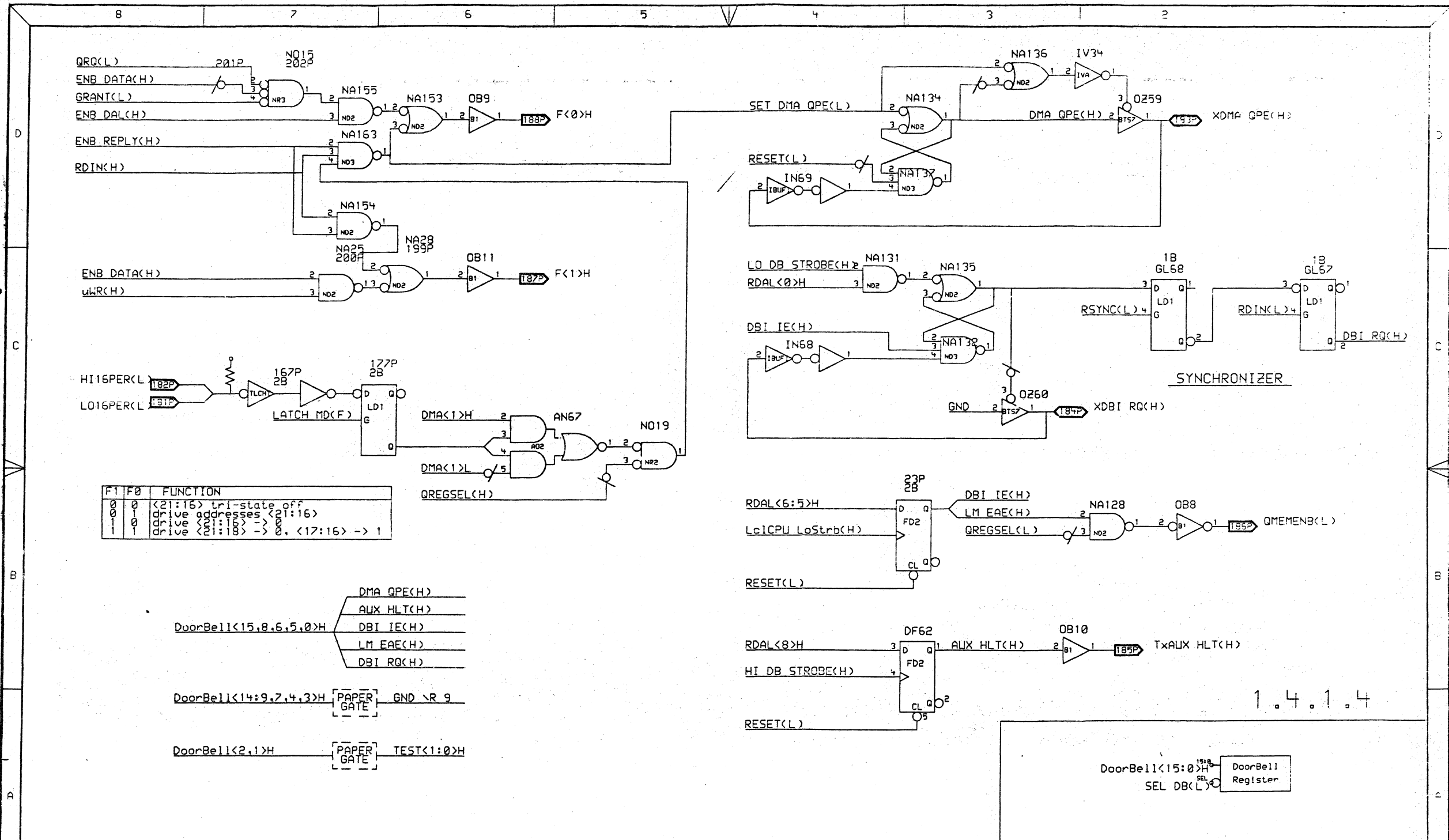
DRAWING  
 TITLE=TOG  
 ABBREV=TOG  
 LAST\*MODIFIED=Wed Oct 10 19:57:28 1984

DEFINE  
 X\*FIRST=0  
 X\*STEP=SIZE  
 digital

DRN:  
 R. McNamara  
 CHK'D:  
 R. McNamara

DATE  
 6-NOV-83  
 DATE  
 6-NOV-83  
 SHEET 1 OF 1  
 NEXT HIGHER ASSEMBLY:

ENG:  
 R. McNamara  
 DATE:  
 6-NOV-83  
 TITLE:  
 TOGGLE FLOP  
 SIZE CODE  
 D CS  
 NUMBER  
 M7625 -2 -'9  
 REV  
 B



THIS DRAWING AND SPECIFICATIONS, HEREIN, ARE THE PROPERTY OF DIGITAL EQUIPMENT CORPORATION AND SHALL NOT BE REPRODUCED OR COPIED OR USED IN WHOLE OR IN PART AS THE BASIS FOR THE MANUFACTURE OR SALE OF ITEMS WITHOUT WRITTEN PERMISSION.  
 COPYRIGHT 1984 DIGITAL EQUIPMENT CORPORATION

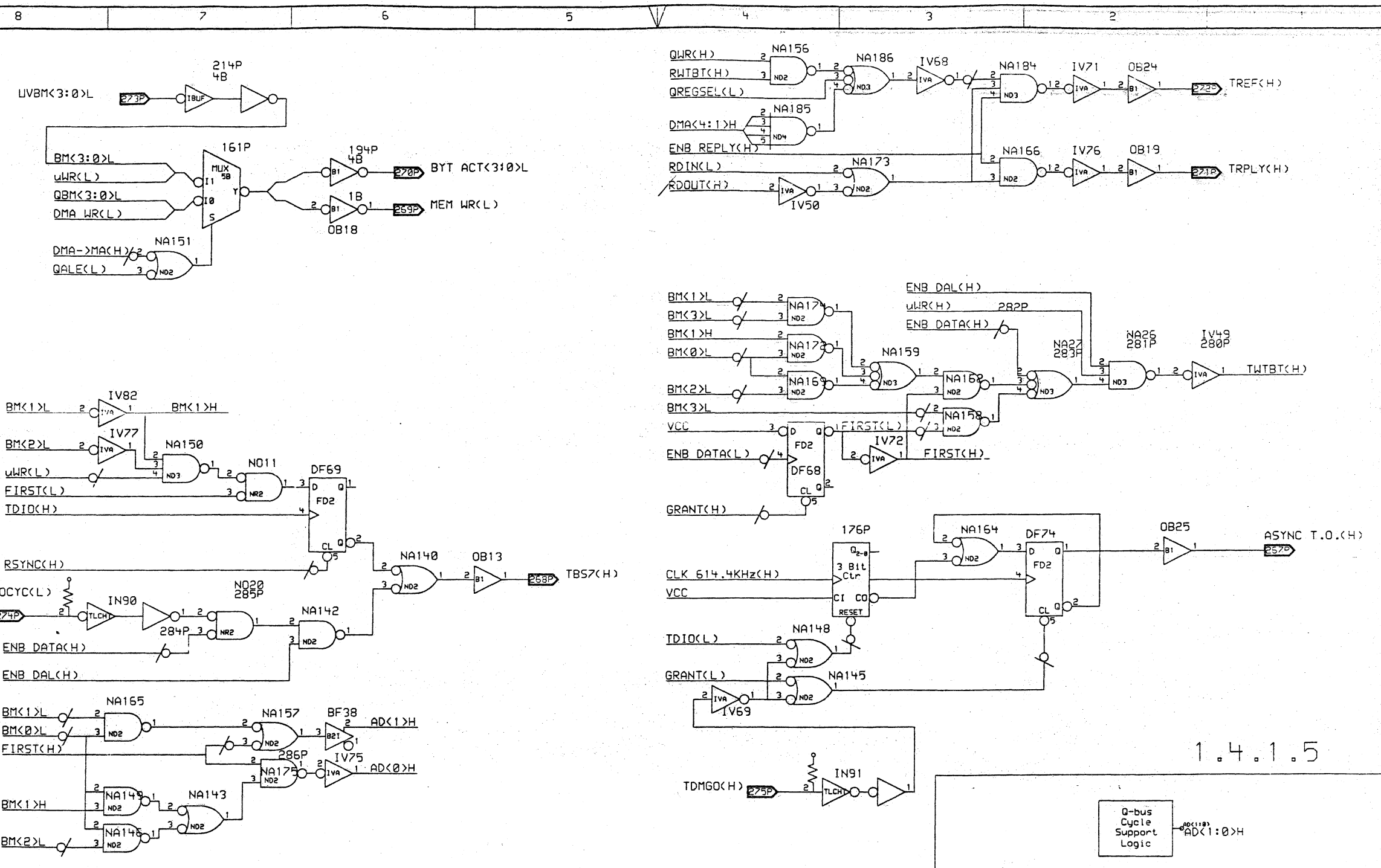
REV	TECD NUMBER	DATE	DESCRIPTION
1	1	11/1/83	INITIAL DESIGN
2	1	10/10/84	LAST MODIFIED=Wed Oct 10 19:36:34 1984



DRN:	DATE	ENG:	DATE	TITLE:
R. McNamara	1-NOV-83	R. McNamara	1-NOV-83	G-bus Support Logic
CHK'D:	DATE		SHEET 1 OF 1	
R. McNamara	1-NOV-83		NEXT HIGHER ASSEMBLY:	SIZE CODE NUMBER
				D 105 1 M7525 -3 -20

1.4.1.4

DoorBell<15:0>H  
 SEL DB(L)C DoorBell Register



"THIS DRAWING AND SPECIFICATIONS, HEREIN, ARE THE PROPERTY OF DIGITAL EQUIPMENT CORPORATION AND SHALL NOT BE REPRODUCED OR COPIED OR USED IN WHOLE OR IN PART AS THE BASIS FOR THE MANUFACTURE OR SALE OF ITEMS WITHOUT WRITTEN PERMISSION.  
 COPYRIGHT 1984 DIGITAL EQUIPMENT CORPORATION

REVISION HISTORY		
REV	ECO NUMBER	DATE
1	M7606-001	10-21-83
2		

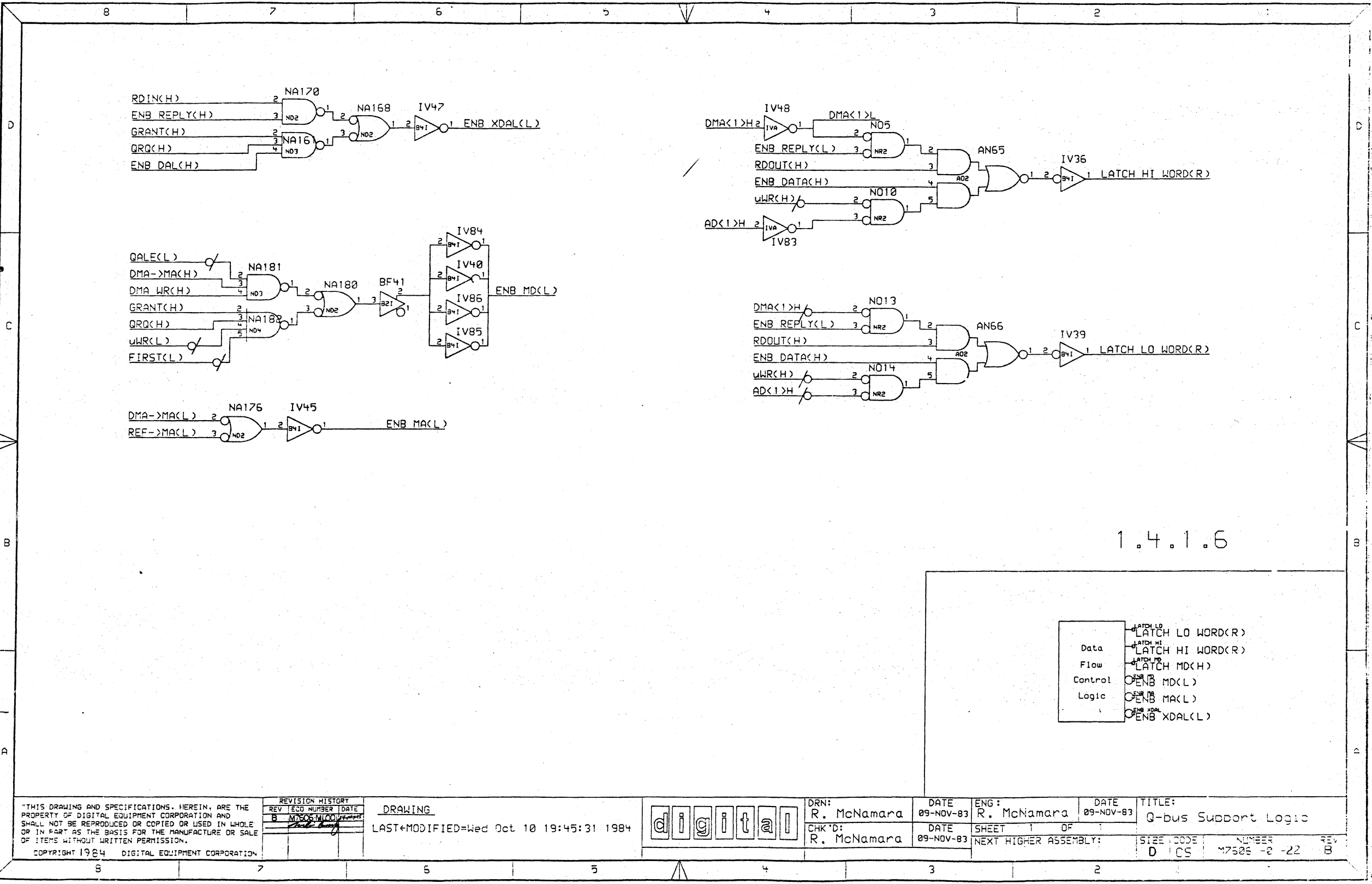
DRAWING  
 LAST\*MODIFIED=Wed Oct 10 19:53:46 1984

digital

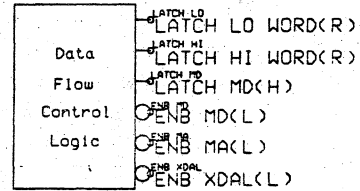
DRN: R. McNamara	DATE 21-OCT-83	ENG: R. McNamara	DATE 21-OCT-83	TITLE: Q-bus Support Logic
CHK'D: R. McNamara	DATE 21-OCT-83	SHEET 1 OF 1		SIZE CODE NUMBER D C5 M7606-2-21
NEXT HIGHER ASSEMBLY:				REV. B

1.4.1.5

Q-bus Cycle Support Logic



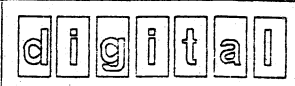
1.4.1.6



"THIS DRAWING AND SPECIFICATIONS, HEREIN, ARE THE PROPERTY OF DIGITAL EQUIPMENT CORPORATION AND SHALL NOT BE REPRODUCED OR COPIED OR USED IN WHOLE OR IN PART AS THE BASIS FOR THE MANUFACTURE OR SALE OF ITEMS WITHOUT WRITTEN PERMISSION.  
COPYRIGHT 1984 DIGITAL EQUIPMENT CORPORATION

REVISION HISTORY		
REV	ECO NUMBER	DATE
B	MCS/MCC/...	...

DRAWING  
LAST MODIFIED=Wed Oct 10 19:45:31 1984



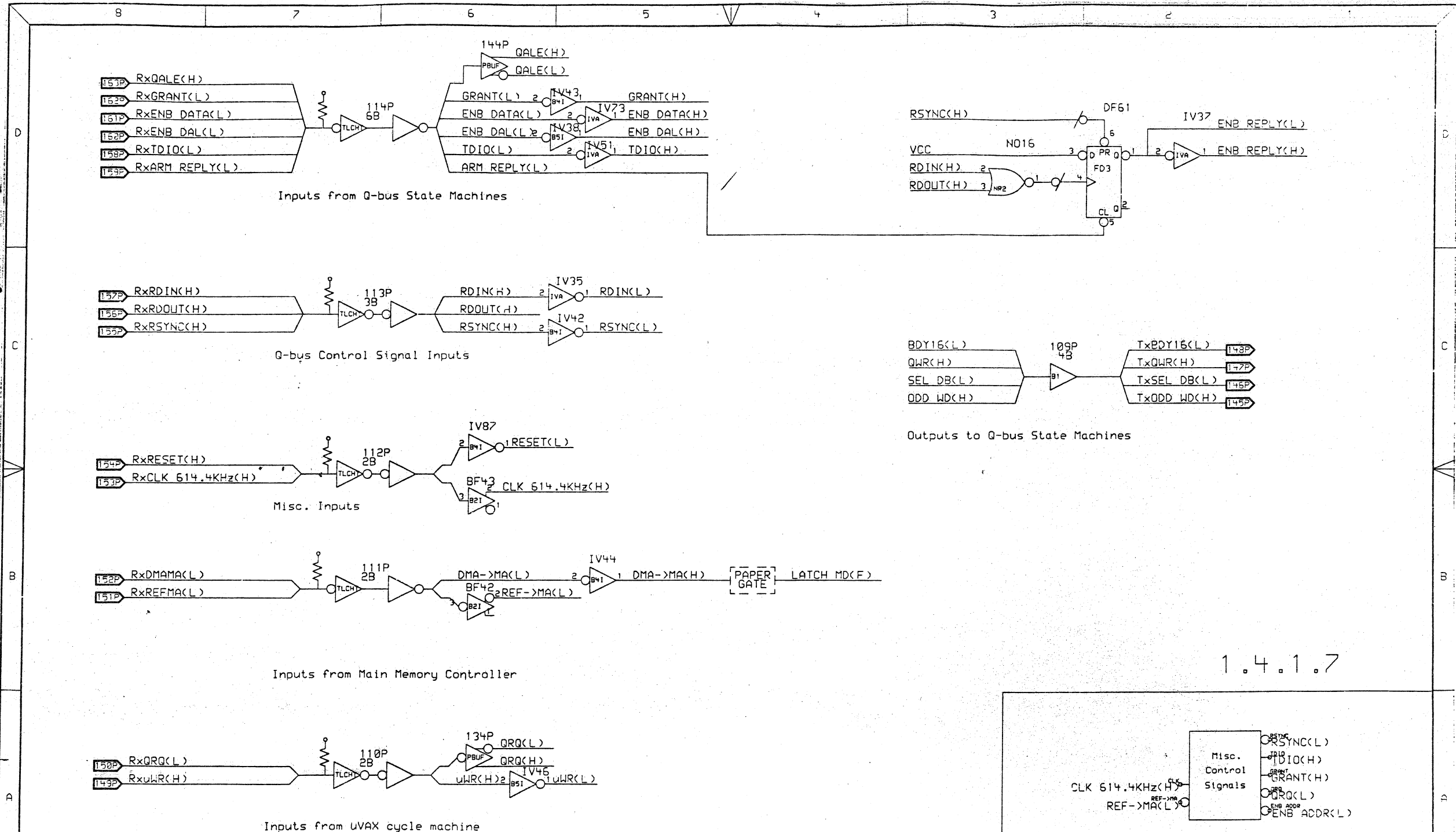
DRN: R. McNamara  
CHK'D: R. McNamara

DATE: 09-NOV-83  
DATE: 09-NOV-83

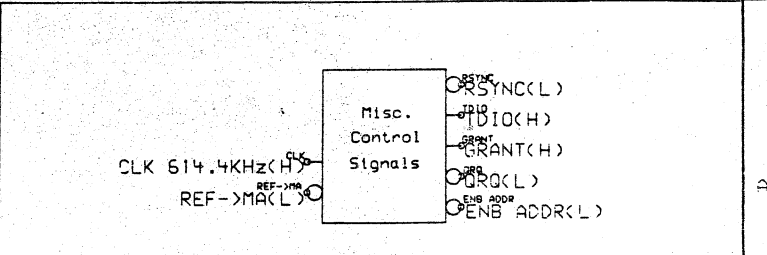
ENG: R. McNamara  
SHEET 1 OF 1  
NEXT HIGHER ASSEMBLY:

TITLE: Q-bus Support Logic

SIZE CODE: D CS  
NUMBER: 17506 -2 -22  
REV: B



1.4.1.7



THIS DRAWING AND SPECIFICATIONS, HEREIN, ARE THE PROPERTY OF DIGITAL EQUIPMENT CORPORATION AND SHALL NOT BE REPRODUCED OR COPIED OR USED IN WHOLE OR IN PART AS THE BASIS FOR THE MANUFACTURE OR SALE OF ITEMS WITHOUT WRITTEN PERMISSION.  
 COPYRIGHT 1984 DIGITAL EQUIPMENT CORPORATION

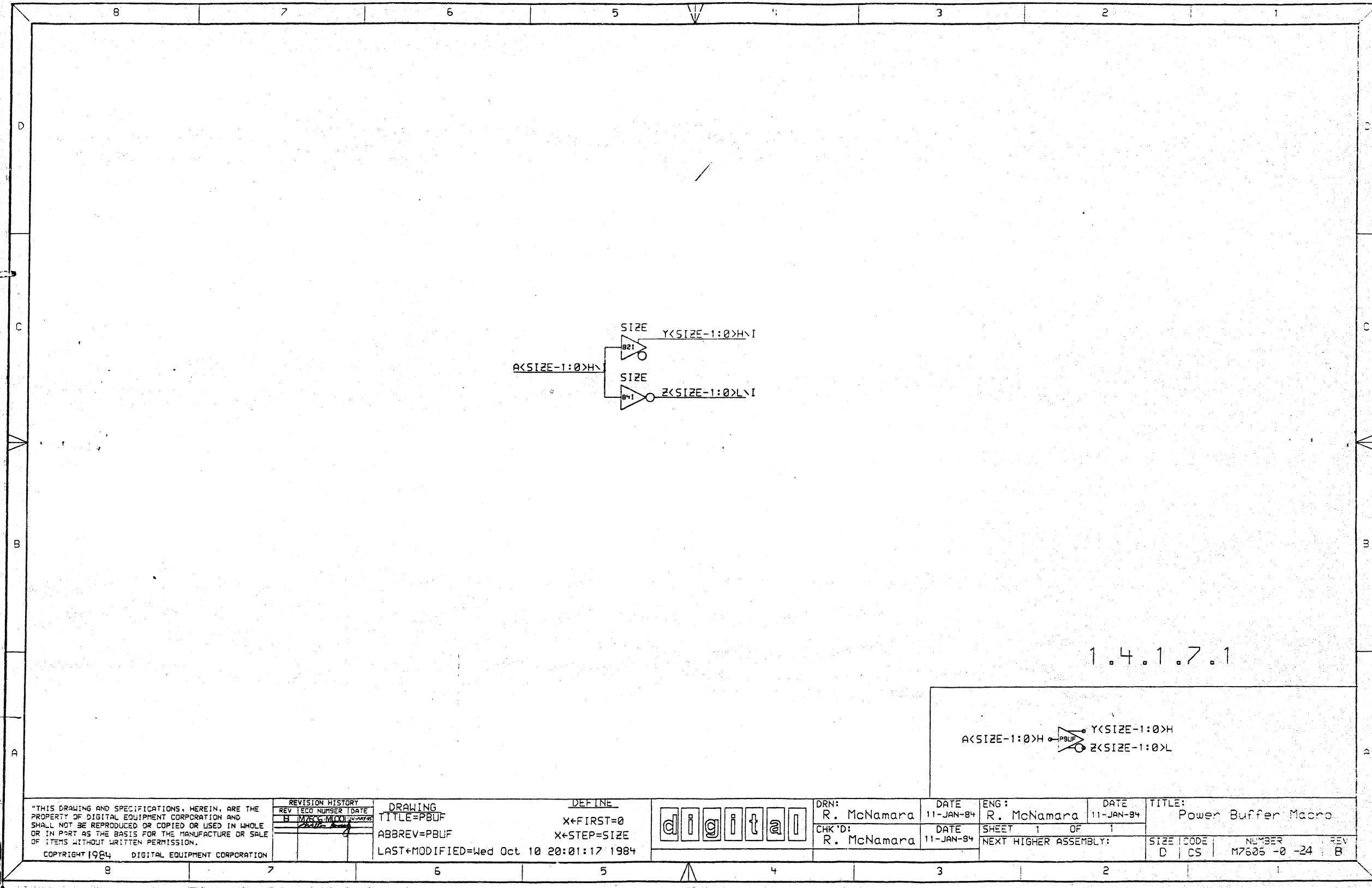
REVISION HISTORY		
REV	ECO NUMBER	DATE
B	M7525-2-23	11-NOV-83

DRAWING  
 LAST MODIFIED=Wed Oct 10 19:49:41 1984

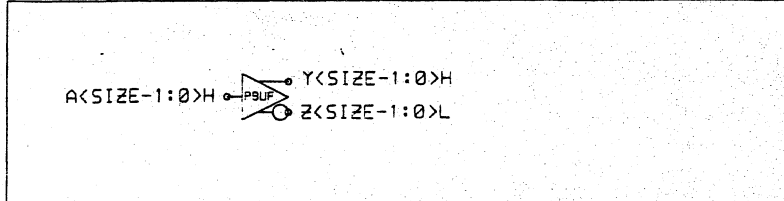
digital

DRN:	R. McNamara	DATE:	11-NOV-83	ENG:	R. McNamara	DATE:	11-NOV-83	TITLE:	Q-bus Support Logic
CHK'D:	R. McNamara	DATE:	11-NOV-83	SHEET:	1	OF:	1	NEXT HIGHER ASSEMBLY:	

SIZE	CODE	NUMBER	REV
D	05	M7525-2-23	B



1.4.1.7.1



"THIS DRAWING AND SPECIFICATIONS, HEREIN, ARE THE PROPERTY OF DIGITAL EQUIPMENT CORPORATION AND SHALL NOT BE REPRODUCED OR COPIED OR USED IN WHOLE OR IN PART AS THE BASIS FOR THE MANUFACTURE OR SALE OF ITEMS WITHOUT WRITTEN PERMISSION.  
COPYRIGHT 1984 DIGITAL EQUIPMENT CORPORATION

REVISION HISTORY		
REV	ECO NUMBER	DATE
1		11-1-84

**DRAWING**  
TITLE=PBUP  
ABBREV=PBUP  
LAST+MODIFIED=Wed Oct 10 20:01:17 1984

**DEFINE**  
X+FIRST=0  
X+STEP=SIZE  
**digital**

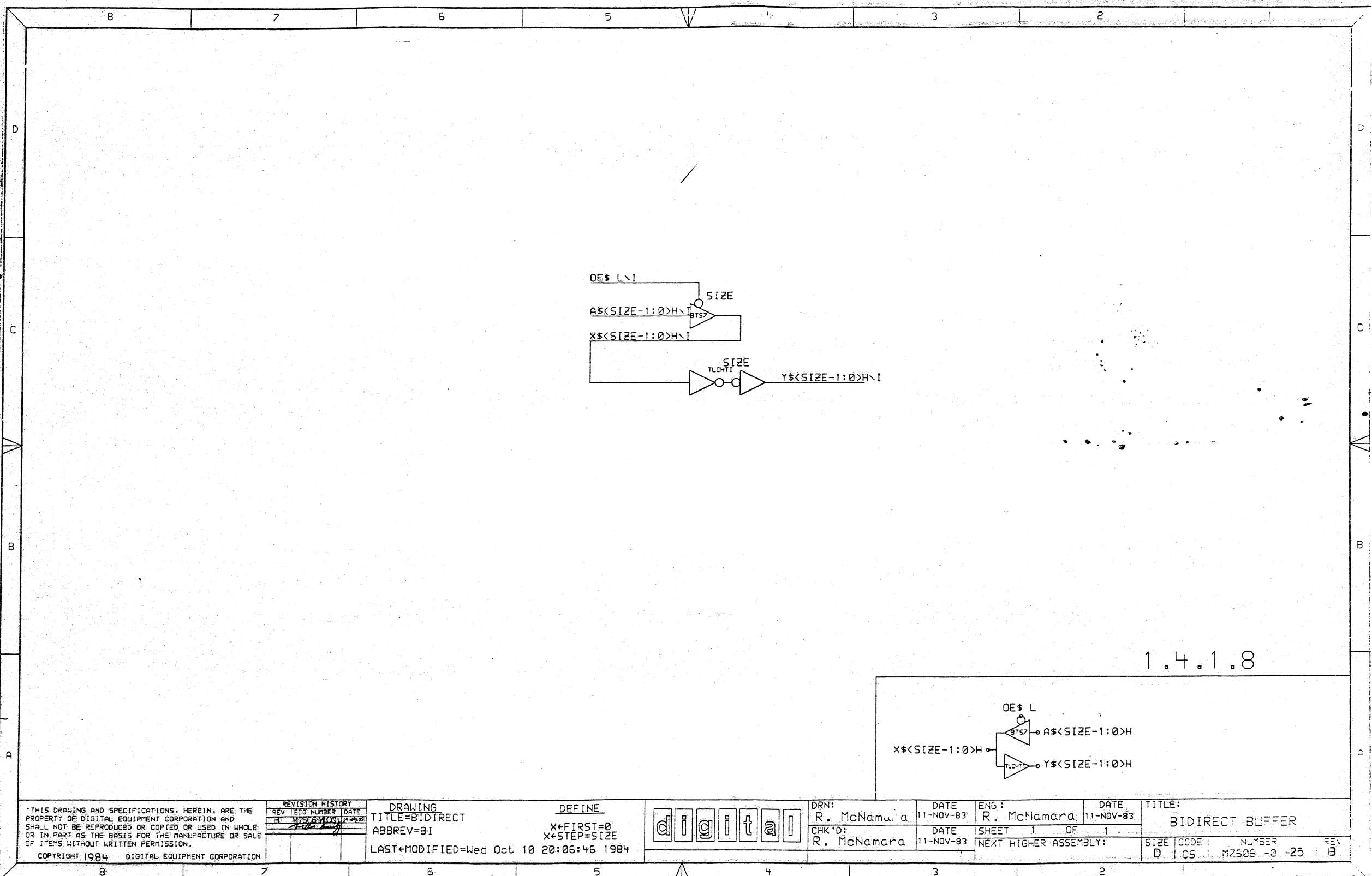
DRN:  
R. McNamara  
CHK'D:  
R. McNamara

DATE  
11-JAN-84  
DATE  
11-JAN-84

ENG:  
R. McNamara  
SHEET 1 OF 1  
NEXT HIGHER ASSEMBLY:

TITLE:  
Power Buffer Macro  
SIZE CODE  
D CS  
NUMBER  
M7605 -0 -24  
REV  
B





1.4.1.8

"THIS DRAWING AND SPECIFICATIONS, HEREIN, ARE THE PROPERTY OF DIGITAL EQUIPMENT CORPORATION AND SHALL NOT BE REPRODUCED OR COPIED OR USED IN WHOLE OR IN PART AS THE BASIS FOR THE MANUFACTURE OR SALE OF ITEMS WITHOUT WRITTEN PERMISSION.  
COPYRIGHT 1984 DIGITAL EQUIPMENT CORPORATION

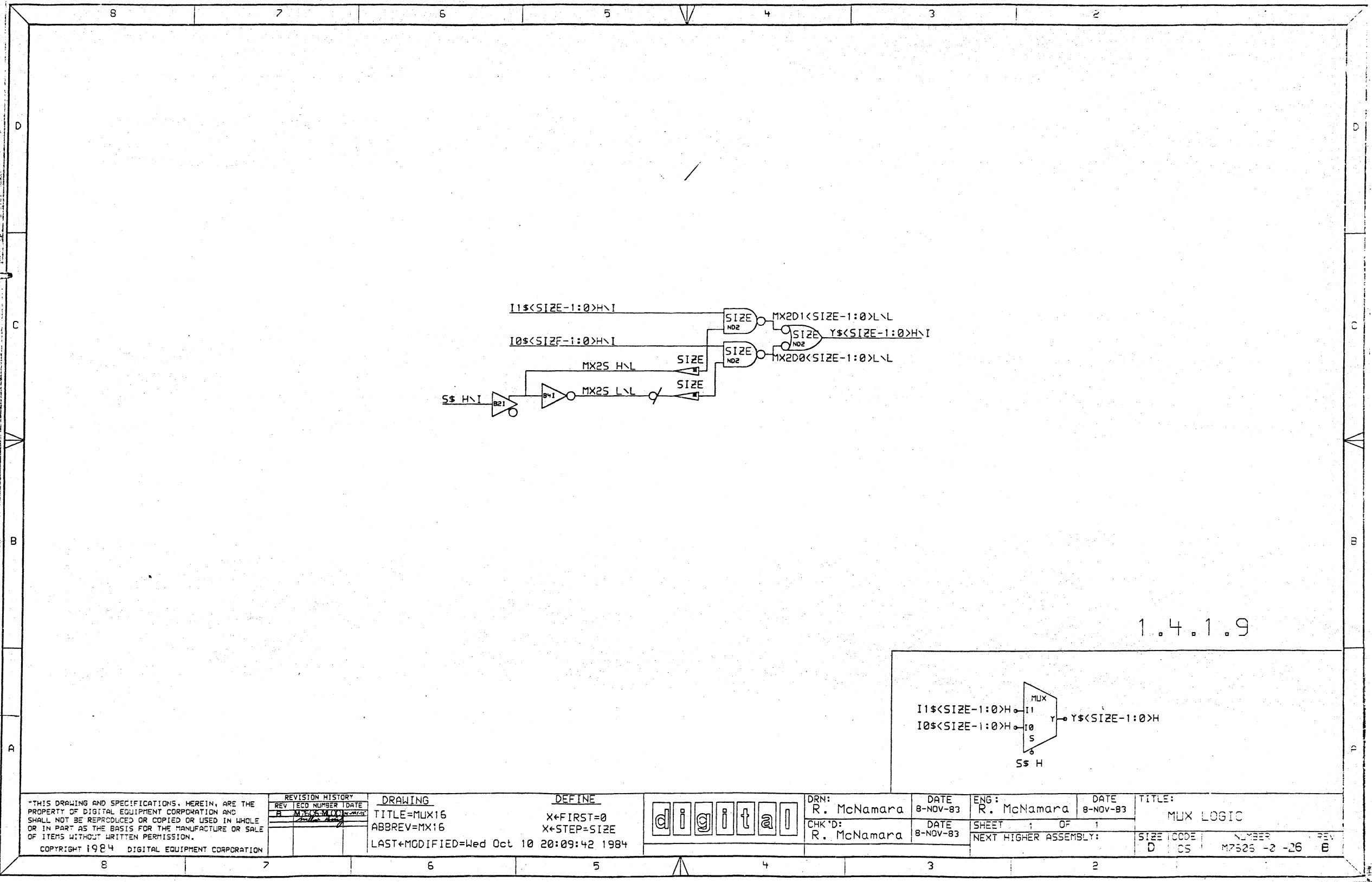
REVISION HISTORY		
REV	ECO NUMBER	DATE
1	M7650002	11-NOV-83
2		

DRAWING  
TITLE=BIDIRECT  
ABBREV=BI  
LAST\*MODIFIED=Wed Oct 10 20:06:46 1984

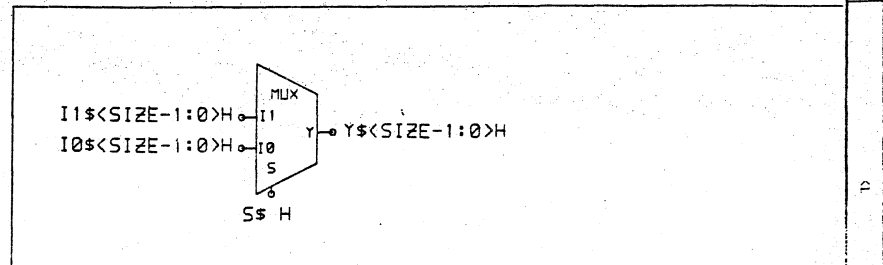
DEFINE  
X\*FIRST=0  
X\*STEP=SIZE  
**digital**

DRN: R. McNamara	DATE 11-NOV-83	ENG: R. McNamara	DATE 11-NOV-83	TITLE: BIDIRECT BUFFER
CHK'D: R. McNamara	DATE 11-NOV-83	SHEET 1	OF 1	SIZE CODE D CS
NEXT HIGHER ASSEMBLY:				NUMBER M76500-0-25

REV B
----------



1.4.1.9



"THIS DRAWING AND SPECIFICATIONS, HEREIN, ARE THE PROPERTY OF DIGITAL EQUIPMENT CORPORATION AND SHALL NOT BE REPRODUCED OR COPIED OR USED IN WHOLE OR IN PART AS THE BASIS FOR THE MANUFACTURE OR SALE OF ITEMS WITHOUT WRITTEN PERMISSION.  
COPYRIGHT 1984 DIGITAL EQUIPMENT CORPORATION

REVISION HISTORY	
REV	TECD NUMBER / DATE
1	M7525-2-26

**DRAWING**  
TITLE=MUX16  
ABBREV=MUX16  
LAST\*MODIFIED=Wed Oct 10 20:09:42 1984

**DEFINE**  
X\*FIRST=0  
X\*STEP=SIZE



DRN:  
R. McNamara  
CHK'D:  
R. McNamara

DATE  
8-NOV-83

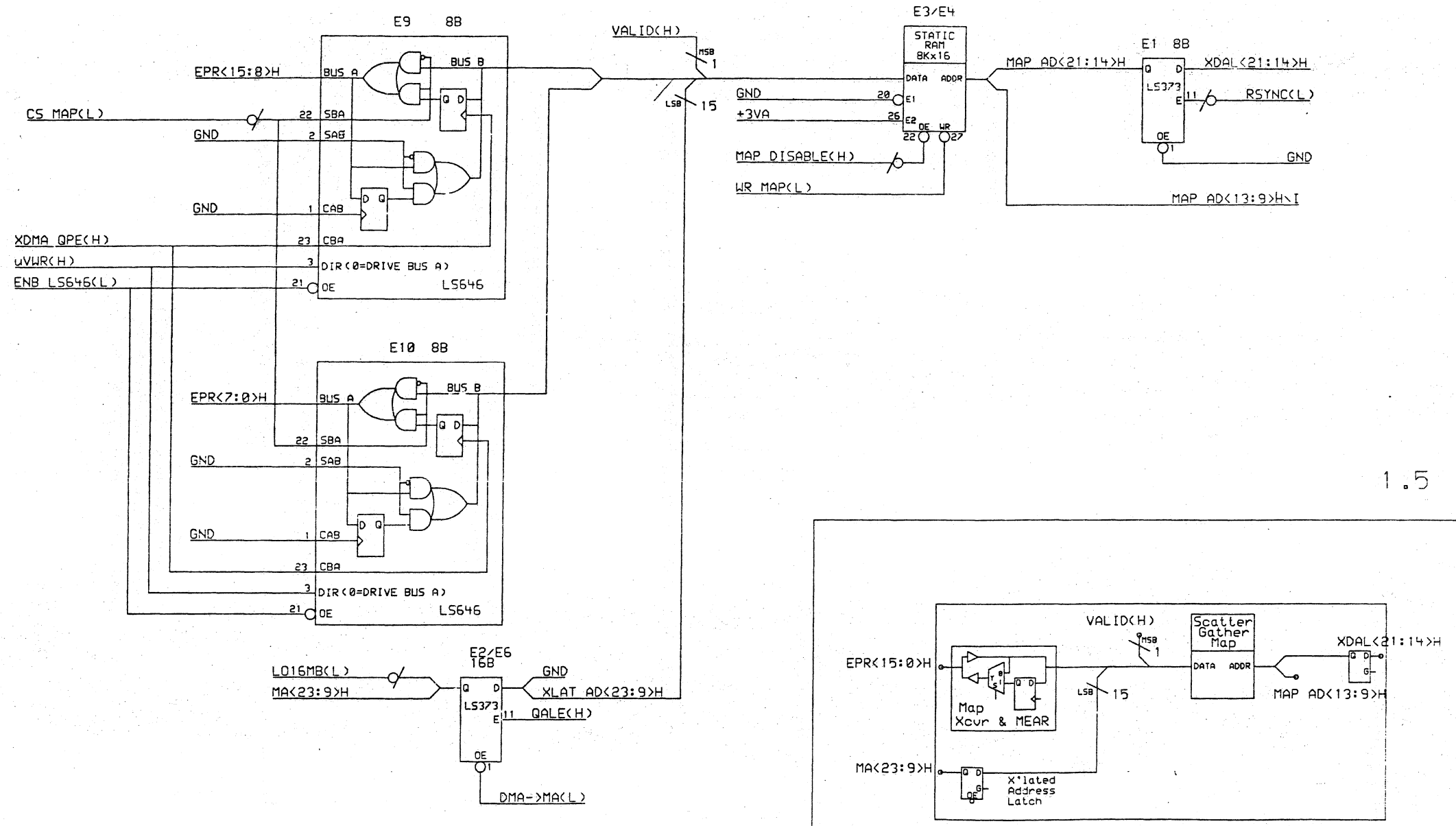
ENG:  
R. McNamara  
DATE  
8-NOV-83

TITLE:  
MUX LOGIC

SHEET 1 OF 1  
NEXT HIGHER ASSEMBLY:

SIZE CODE  
D CS

NUMBER  
M7525-2-26  
REV  
B



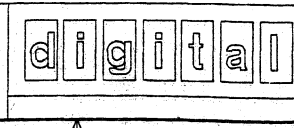
1.5

"THIS DRAWING AND SPECIFICATIONS, HEREIN, ARE THE PROPERTY OF DIGITAL EQUIPMENT CORPORATION AND SHALL NOT BE REPRODUCED OR COPIED OR USED IN WHOLE OR IN PART AS THE BASIS FOR THE MANUFACTURE OR SALE OF ITEMS WITHOUT WRITTEN PERMISSION.  
 COPYRIGHT 1984 DIGITAL EQUIPMENT CORPORATION

REV	TECO NUMBER	DATE
3	11/15/84	11/15/84

**DRAWING**  
 TITLE=MAP GROUP  
 ABBREV=MAP  
 CIRCUIT+TYPE=TRANS+MAP  
 LAST+MODIFIED=Sun Oct 7 18:33:49 1984

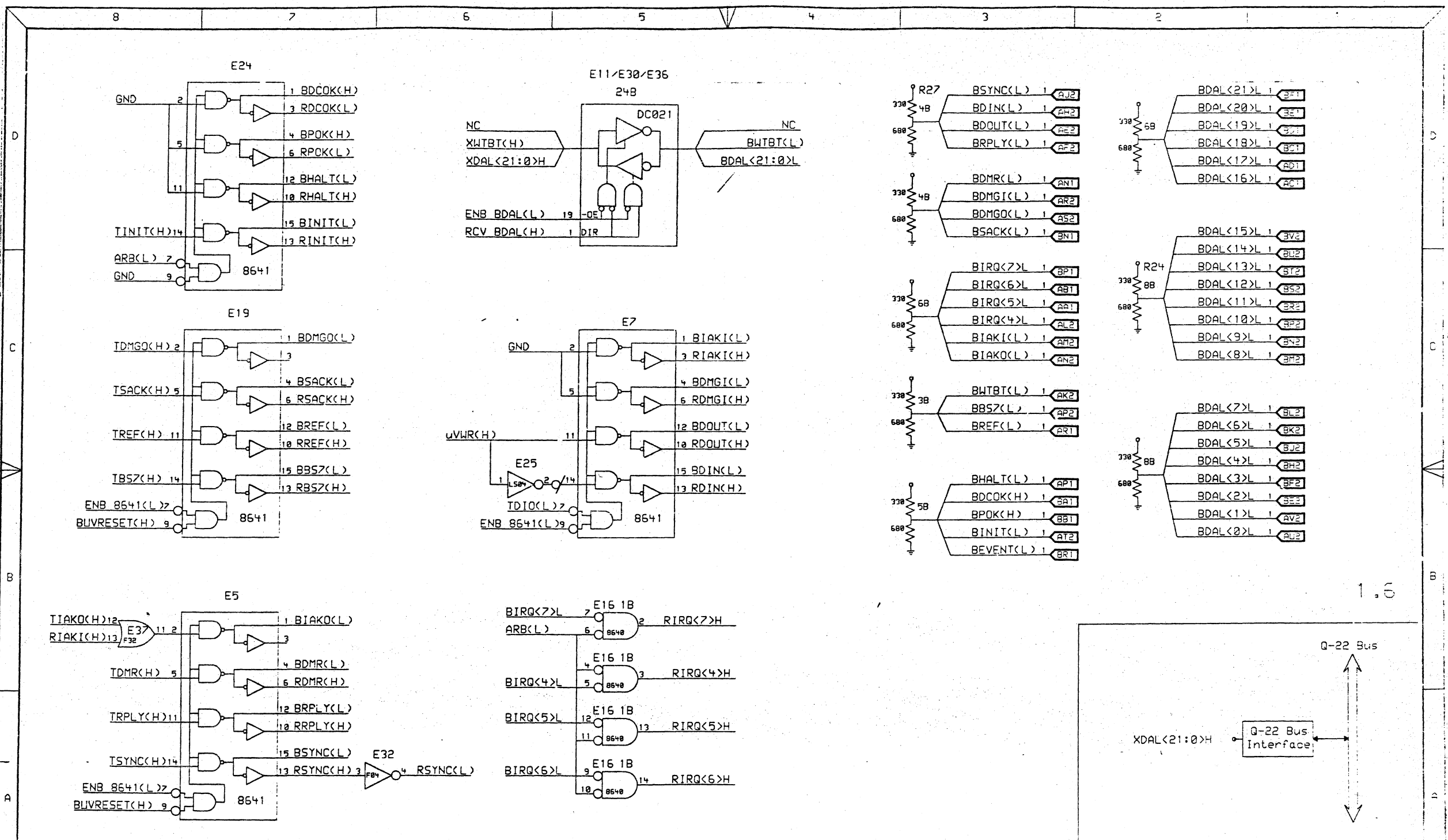
**DEFINE**  
 X+FIRST=0  
 X+STEP=SIZE



DRN:  
R. McNamara  
 DATE  
3-OCT-84  
 CHK'D:  
R. McNamara  
 DATE  
3-OCT-84

ENG:  
R. McNamara  
 DATE  
3-OCT-84  
 SHEET 1 OF 1  
 NEXT HIGHER ASSEMBLY:

TITLE:  
Translation Map Group  
 SIZE D CODE CS NUMBER M7605 -0 -27 REV 3



1.6

"THIS DRAWING AND SPECIFICATIONS, HEREIN, ARE THE PROPERTY OF DIGITAL EQUIPMENT CORPORATION AND SHALL NOT BE REPRODUCED OR COPIED OR USED IN WHOLE OR IN PART AS THE BASIS FOR THE MANUFACTURE OR SALE OF ITEMS WITHOUT WRITTEN PERMISSION.  
 COPYRIGHT 1984 DIGITAL EQUIPMENT CORPORATION

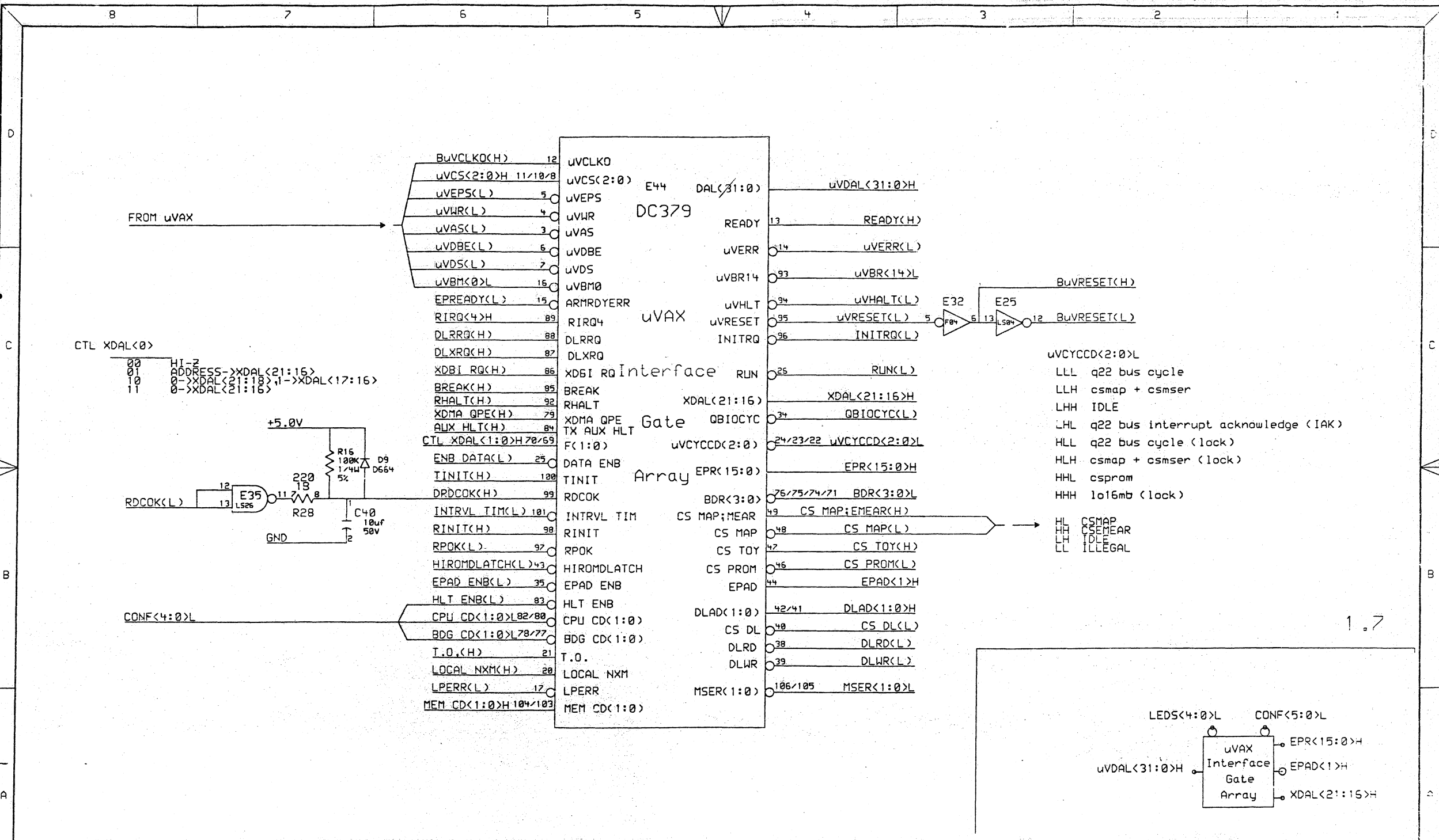
REV	ECO NUMBER	DATE
B		10/12/84

DRAWING  
 TITLE=QBUS  
 ABBREV=QBUS  
 CIRCUIT+TYPE=QBUS+INTERFACE  
 LAST+MODIFIED=Fri Oct 12 14:31:20 1984

DEFINE  
 X\*FIRST=0  
 X\*STEP=SIZE  
 digital

DRN: R. McNamara	DATE 3-OCT-84	ENG: R. McNamara	DATE 3-OCT-84
CHK'D: R. McNamara	DATE 3-OCT-84	SHEET 1 OF 1	TITLE: KA630 QBUS INTERFACE

NEXT HIGHER ASSEMBLY:	SIZE CODE D CS	NUMBER M7606 -2 -23	REV B
-----------------------	-------------------	------------------------	----------



"THIS DRAWING AND SPECIFICATIONS, HEREIN, ARE THE PROPERTY OF DIGITAL EQUIPMENT CORPORATION AND SHALL NOT BE REPRODUCED OR COPIED OR USED IN WHOLE OR IN PART AS THE BASIS FOR THE MANUFACTURE OR SALE OF ITEMS WITHOUT WRITTEN PERMISSION.  
 COPYRIGHT 1984 DIGITAL EQUIPMENT CORPORATION

REVISION HISTORY		
REV	NO.	DATE
1	1	10/29/84

**DRAWING**  
 TITLE=GATOR1  
 ABBREV=GATOR1  
 CIRCUIT+TYPE=GATE+ARRAY  
 LAST+MODIFIED=Mon Oct 29 09:35:21 1984

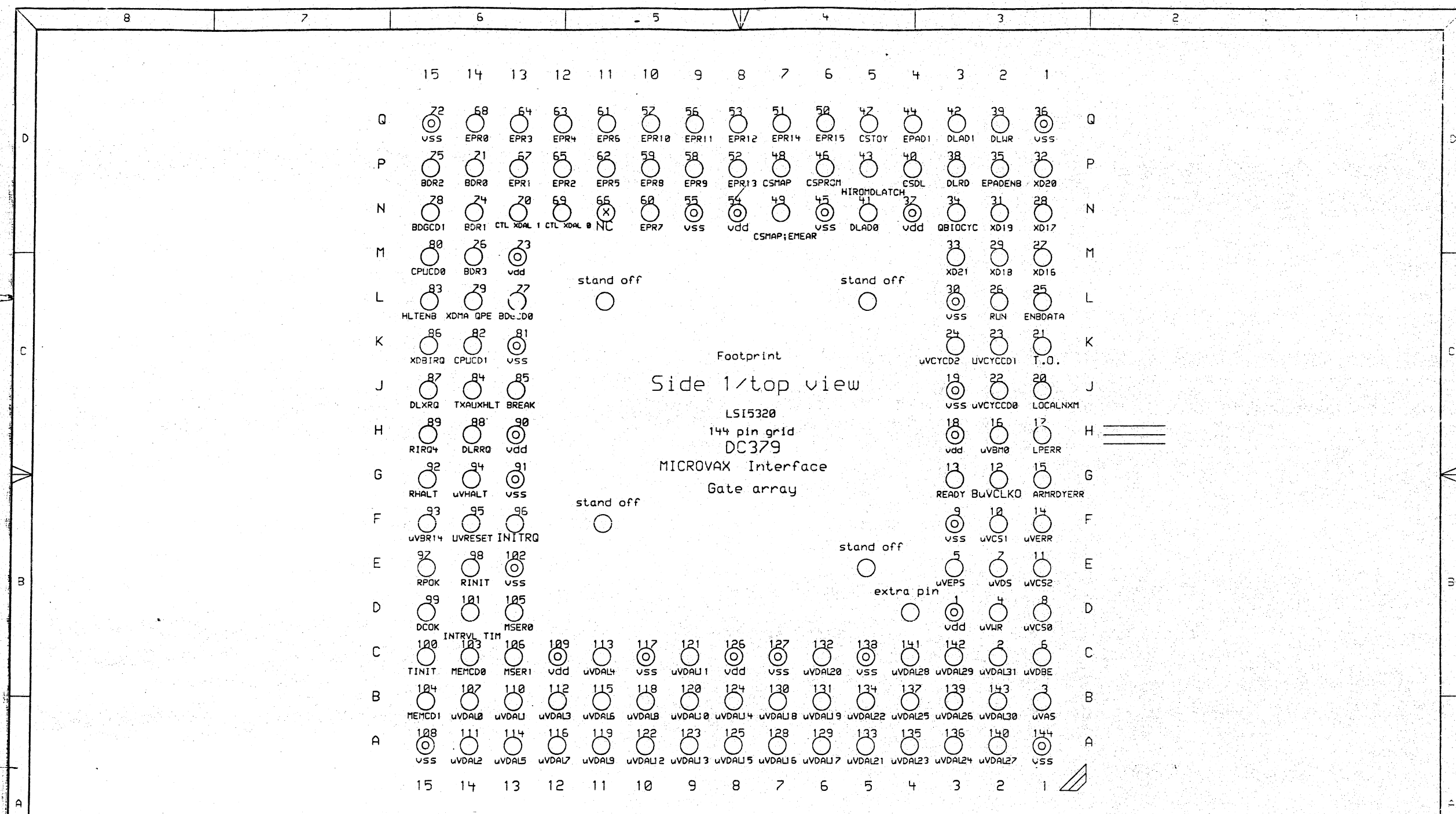
**DEFINE**  
 X\*FIRST=0  
 X\*STEP=SIZE



DRN:  
 BARRY MASKAS  
 DATE  
 3-OCT-84  
 CHK'D:  
 BARRY MASKAS  
 DATE  
 3-OCT-84

ENG:  
 BARRY MASKAS  
 DATE  
 3-OCT-84  
 SHEET 1 OF 1  
 NEXT HIGHER ASSEMBLY:

**TITLE:**  
 uVAX Interface Gate Array  
 SIZE D CODE CS NUMBER M7506 -0 -29 REV 3



1.7.1

"THIS DRAWING AND SPECIFICATIONS, HEREIN, ARE THE PROPERTY OF DIGITAL EQUIPMENT CORPORATION AND SHALL NOT BE REPRODUCED OR COPIED OR USED IN WHOLE OR IN PART AS THE BASIS FOR THE MANUFACTURE OR SALE OF ITEMS WITHOUT WRITTEN PERMISSION.  
COPYRIGHT 1984 DIGITAL EQUIPMENT CORPORATION

REVISION HISTORY	
REV	ECO NUMBER DATE
1	BY MYS/MUT/10/24/84

**DRAWING**  
TITLE=galpads  
LAST\*MODIFIED=Mon Oct 29 11:47:47 1984

**DEFINE**  
X\*FIRST=0  
X\*STEP=SIZE



DRN: BARRY MASKAS  
CHK'D: BARRY MASKAS

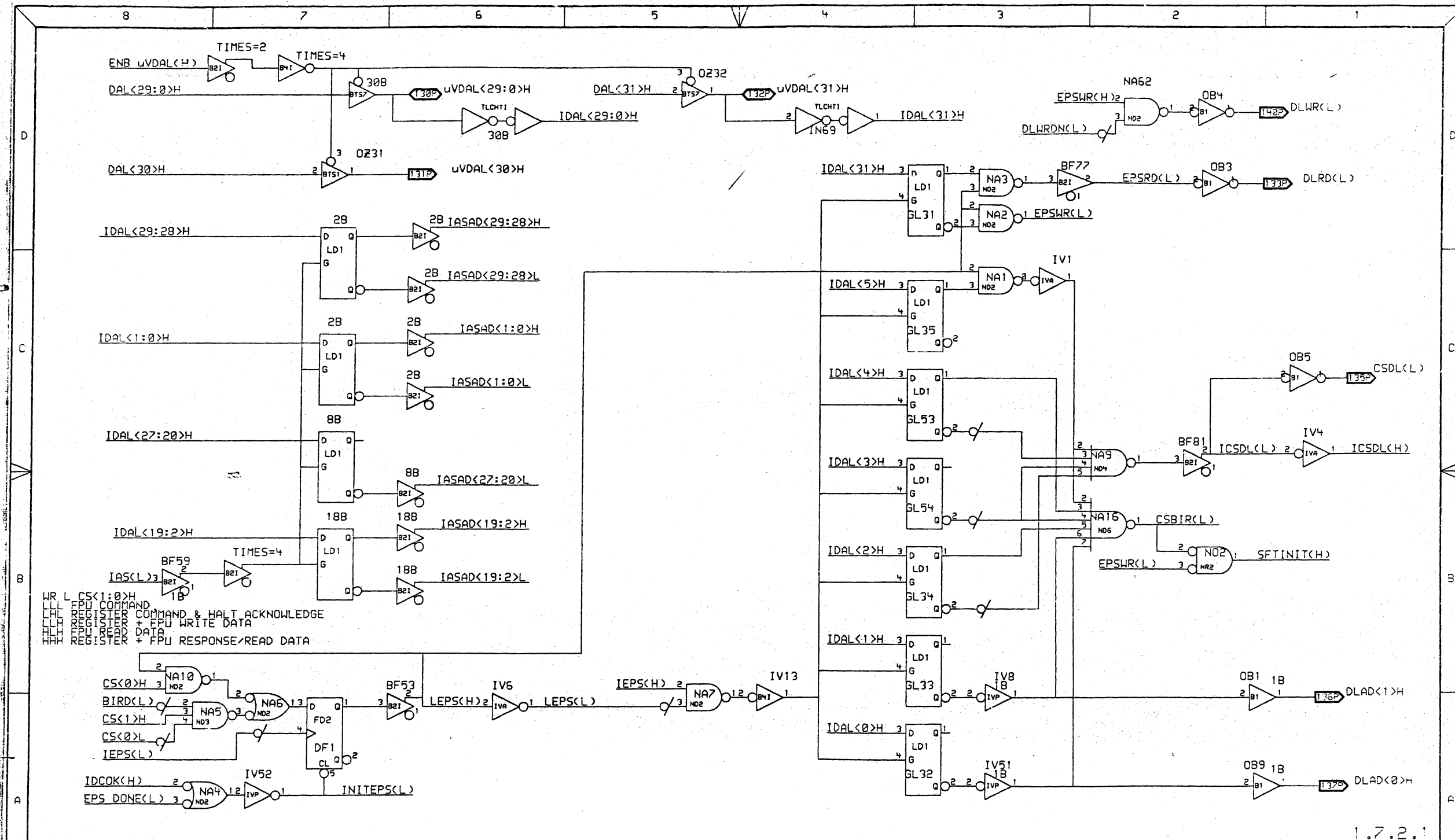
DATE: 15-DEC-83  
SHEET 1 OF 1  
NEXT HIGHER ASSEMBLY:

TITLE: DC379 PAD ASSIGNMENT TOP VIEW  
LL5320 IN 144 PIN GRID ARRAY

SIZE	CODE	NUMBER	REV
D	CS	M7635 -0 -30	B







1.7.2.1

"THIS DRAWING AND SPECIFICATIONS, HEREIN, ARE THE PROPERTY OF DIGITAL EQUIPMENT CORPORATION AND SHALL NOT BE REPRODUCED OR COPIED OR USED IN WHOLE OR IN PART AS THE BASIS FOR THE MANUFACTURE OR SALE OF ITEMS WITHOUT WRITTEN PERMISSION.  
 COPYRIGHT 1984 DIGITAL EQUIPMENT CORPORATION

REVISION HISTORY	
REV	TECD NUMBER DATE
1	M7606 10/20/84

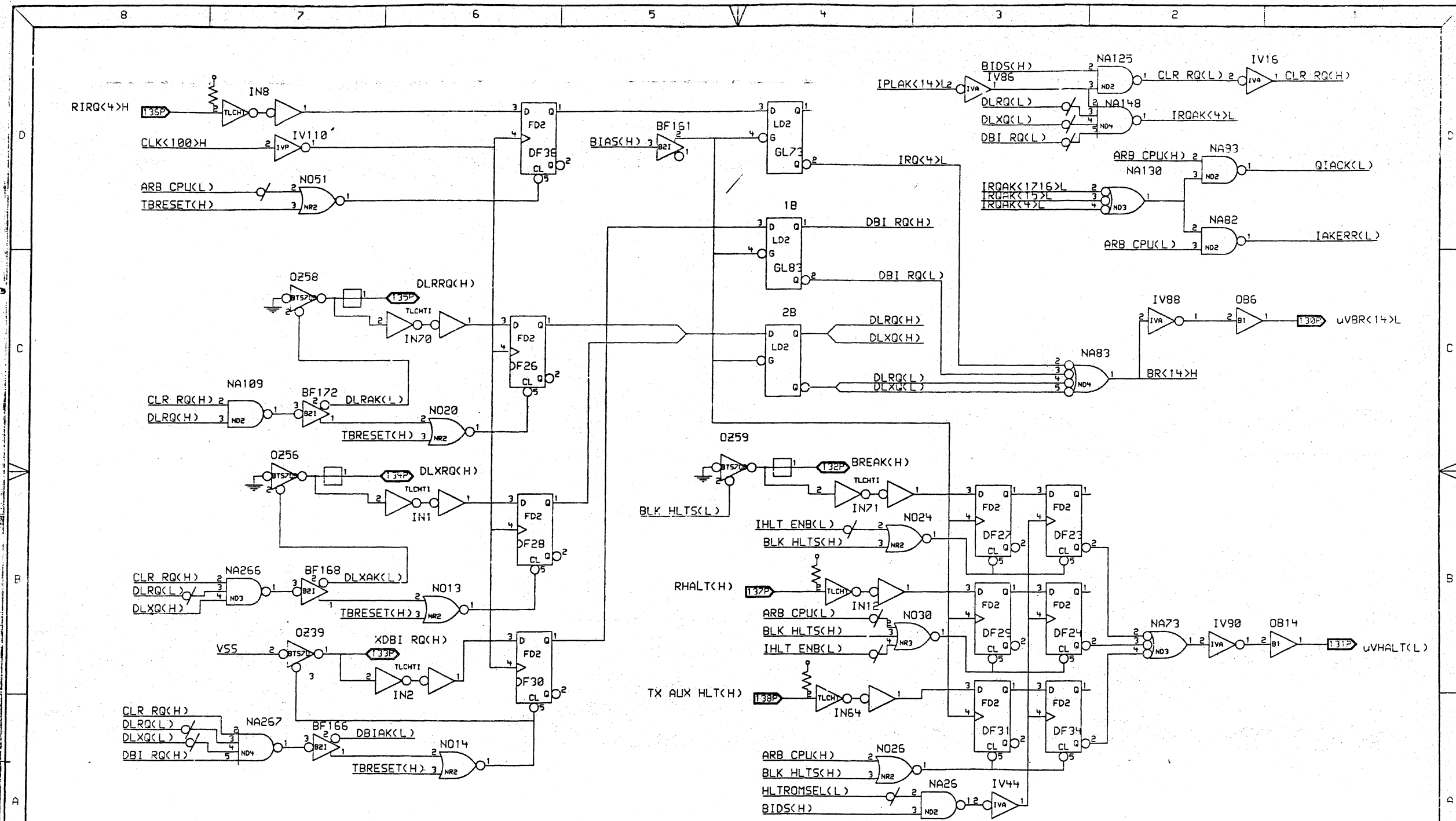
DRAWING  
 TITLE=GA1  
 ABBREV=GA1  
 X\*FIRST=0  
 X\*STEP=SIZE  
 LAST\*MODIFIED=Sun Oct 7 20:20:28 1984



DRN: BARRY MASKAS  
 DATE: 19-DEC-83  
 ENG: BARRY MASKAS  
 DATE: 19-DEC-83  
 CHK'D: BARRY MASKAS  
 DATE: 19-DEC-83  
 SHEET 1 OF 1  
 NEXT HIGHER ASSEMBLY:

TITLE:		NUMBER		REV	
SIZE	CODE	D	C5	M7606 -0 -32	H
D	C5	M7606	-0 -32	H	





1.7.2.3

"THIS DRAWING AND SPECIFICATIONS, HEREIN, ARE THE PROPERTY OF DIGITAL EQUIPMENT CORPORATION AND SHALL NOT BE REPRODUCED OR COPIED OR USED IN WHOLE OR IN PART AS THE BASIS FOR THE MANUFACTURE OR SALE OF ITEMS WITHOUT WRITTEN PERMISSION.  
 COPYRIGHT 1984 DIGITAL EQUIPMENT CORPORATION

REVISION HISTORY		
REV	ECO NUMBER	DATE
1	0119	11/27/83
2	0120	11/27/83

**DRAWING**  
 TITLE=GA1  
 ABBREV=GA1  
 CIRCUIT+TYPE=GATE+ARRAY  
 LAST+MODIFIED=Sun Oct 7 16:40:03 1984

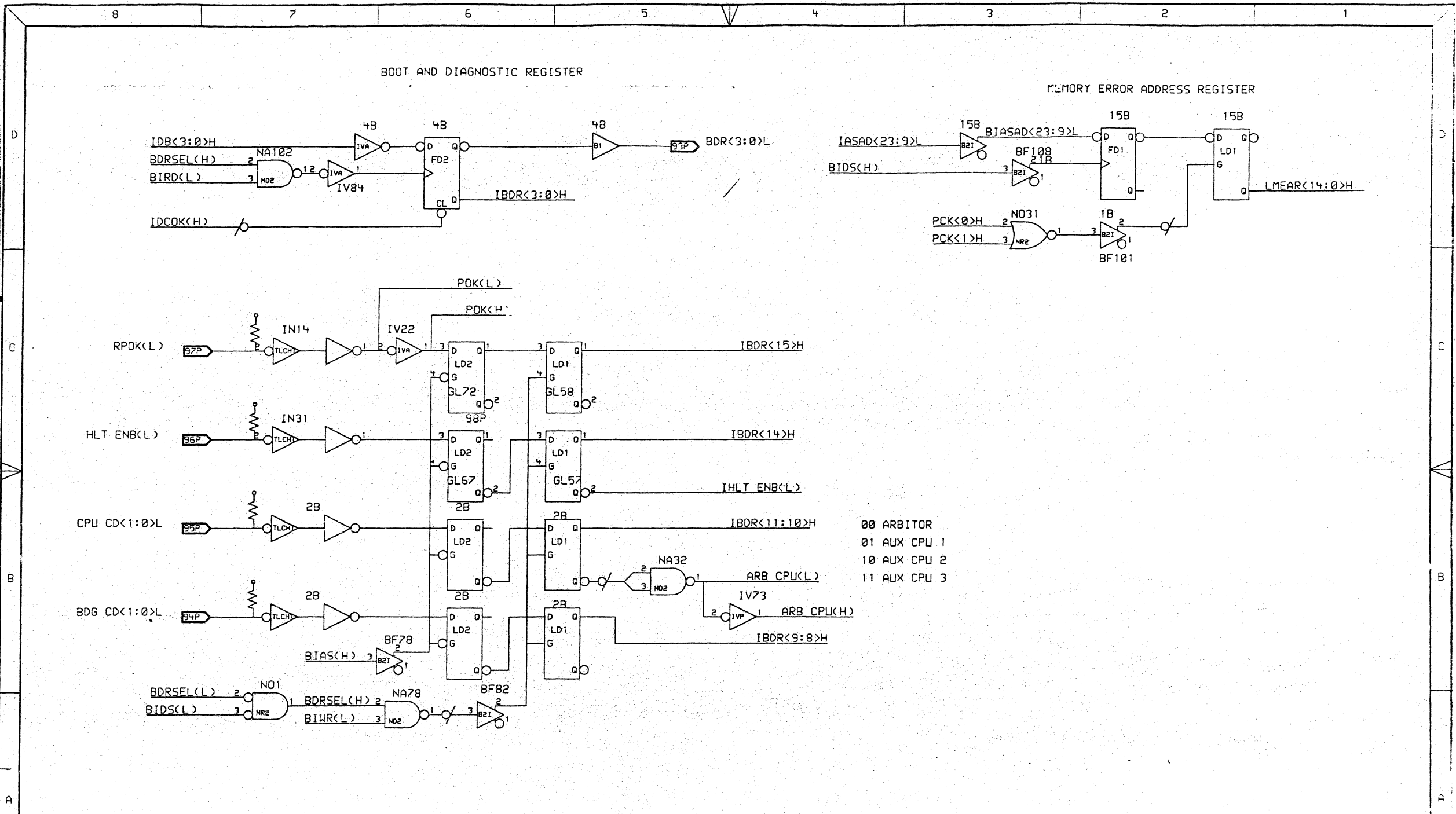


DRN: BARRY MASKAS  
 DATE: 18-DEC-83  
 CHK'D: BARRY MASKAS  
 DATE: 18-DEC-83

ENG: BARRY MASKAS  
 DATE: 18-DEC-83  
 SHEET 1 OF 1  
 NEXT HIGHER ASSEMBLY:

TITLE: EXCEPTIONS AND INTERRUPTS  
 SIZE: D  
 CODE: CS  
 NUMBER: M7506-0-34  
 REV: 3





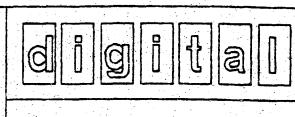
- 00 ARBITOR
- 01 AUX CPU 1
- 10 AUX CPU 2
- 11 AUX CPU 3

1.7.2.5

"THIS DRAWING AND SPECIFICATIONS, HEREIN, ARE THE PROPERTY OF DIGITAL EQUIPMENT CORPORATION AND SHALL NOT BE REPRODUCED OR COPIED OR USED IN WHOLE OR IN PART AS THE BASIS FOR THE MANUFACTURE OR SALE OF ITEMS WITHOUT WRITTEN PERMISSION.  
 COPYRIGHT 1984 DIGITAL EQUIPMENT CORPORATION

REVISION HISTORY		
REV	ECO NUMBER	DATE
0		11/20/83
1		12/18/83

**DRAWING**  
 TITLE=GA1  
 ABBREV=GA1  
 CIRCUIT+TYPE=GATE+ARRAY  
 LAST+MODIFIED=Sun Oct 7 16:53:31 1984

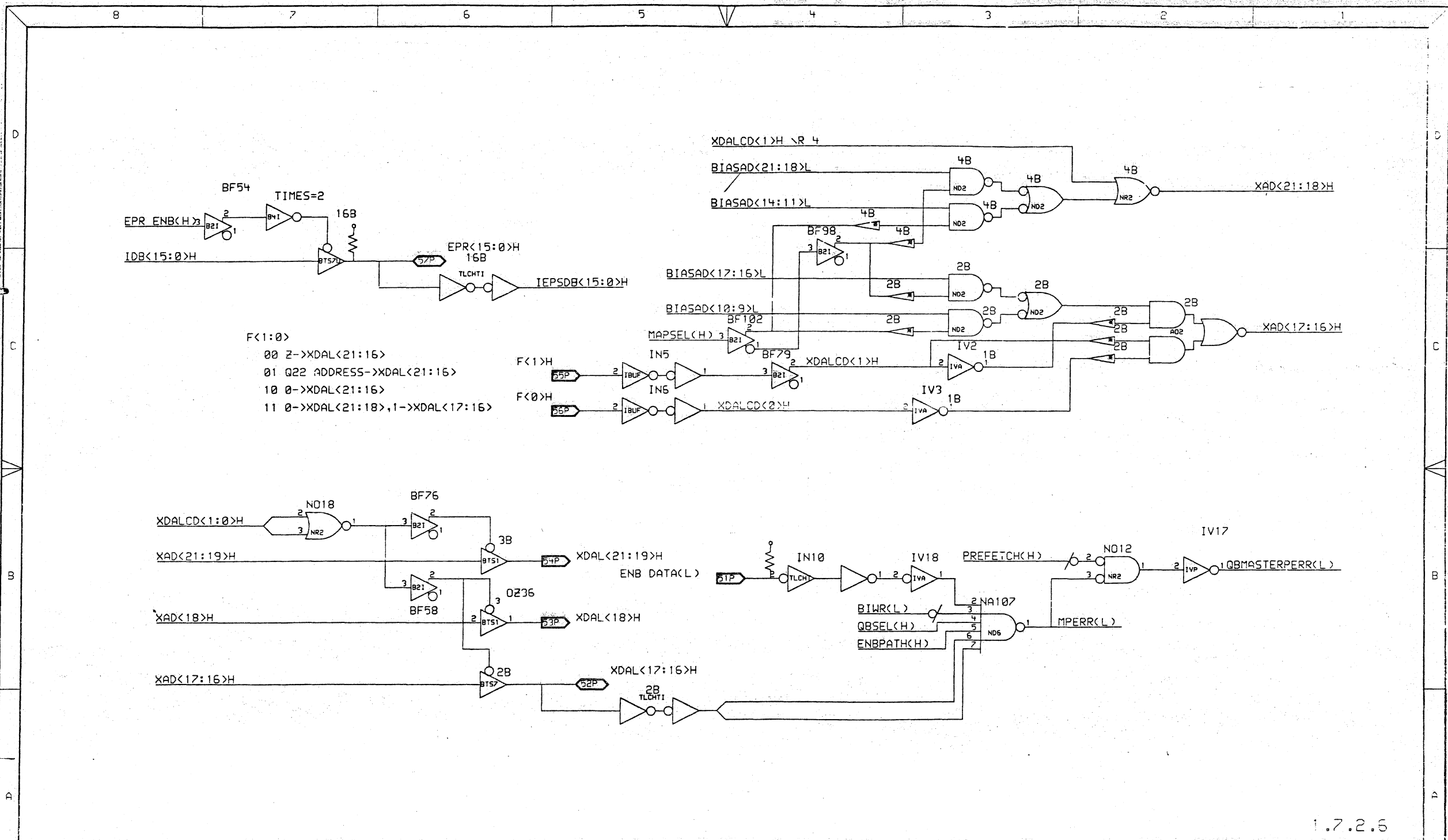


DRN: BARRY MASKAS  
 CHK'D: BARRY MASKAS  
 DATE: 18-DEC-83

ENG: BARRY MASKAS  
 SHEET 1 OF 1  
 DATE: 18-DEC-83  
 NEXT HIGHER ASSEMBLY:

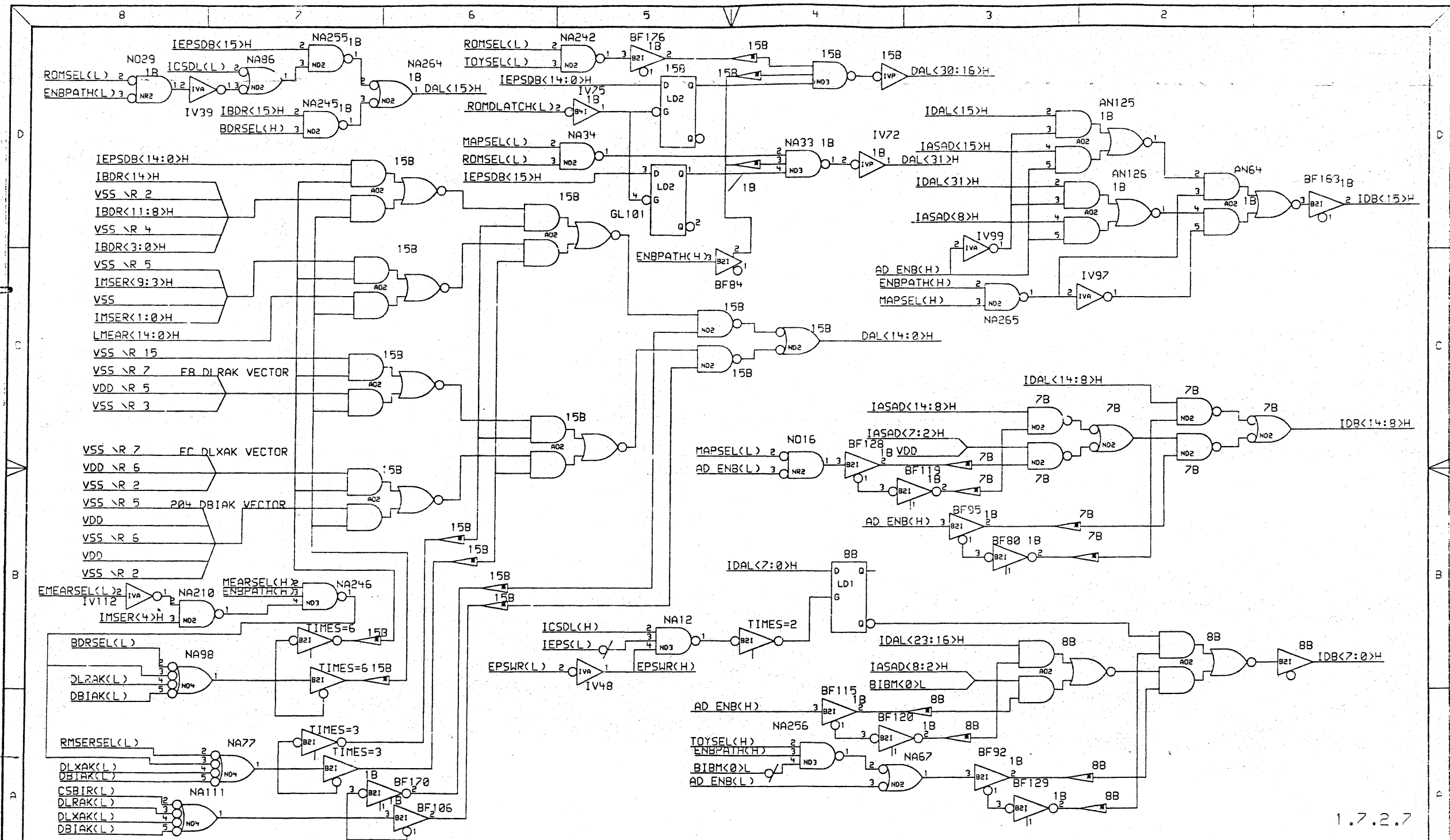
TITLE:  
 BOOT/DIAG REG., MEM ERR ADDR REG.  
 SIZE CODE NUMBER REV  
 D CS M7606 -0 -36 3





1.7.2.6

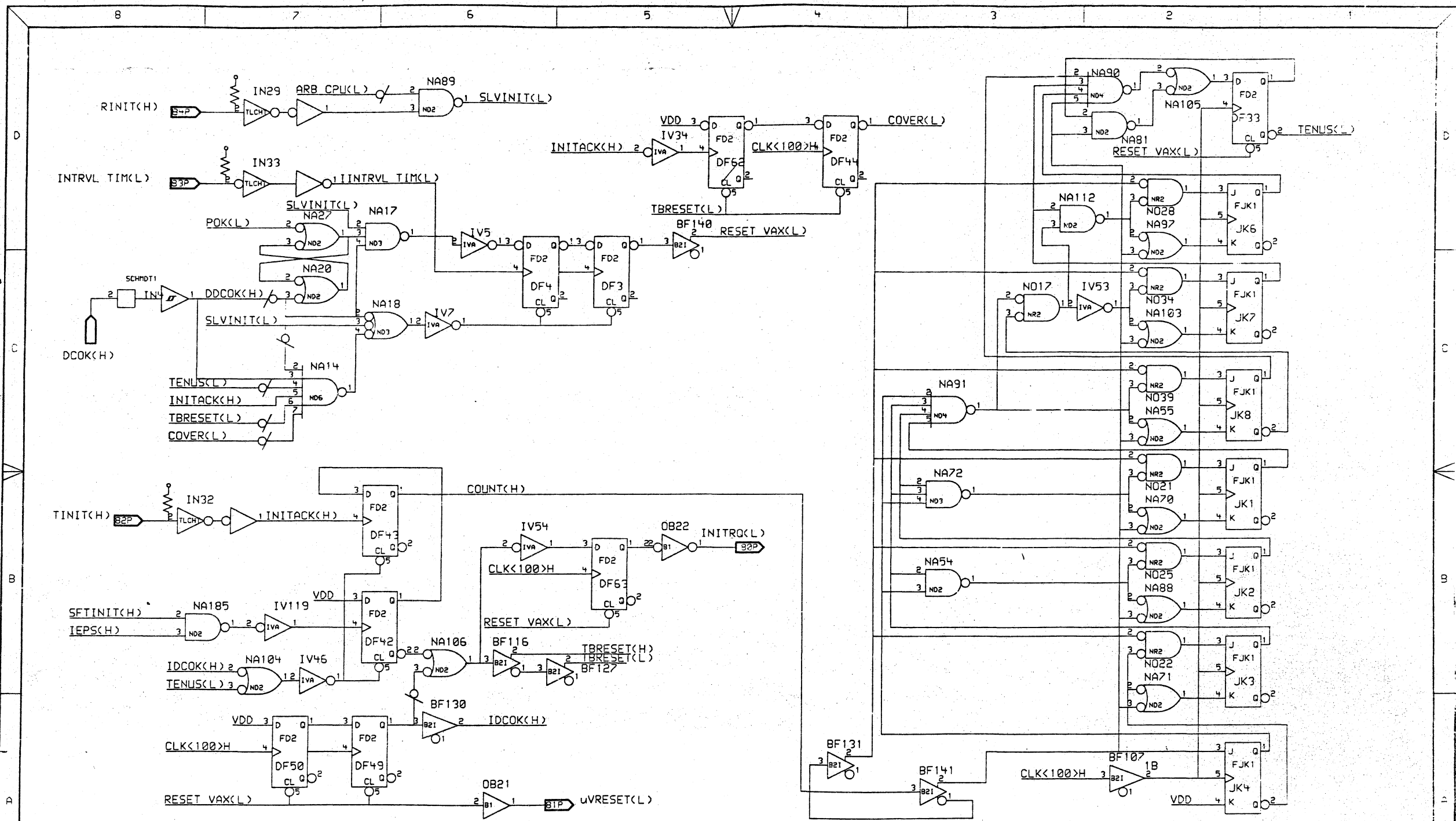
THIS DRAWING AND SPECIFICATIONS, HEREIN, ARE THE PROPERTY OF DIGITAL EQUIPMENT CORPORATION AND SHALL NOT BE REPRODUCED OR COPIED OR USED IN WHOLE OR IN PART AS THE BASIS FOR THE MANUFACTURE OR SALE OF ITEMS WITHOUT WRITTEN PERMISSION. COPYRIGHT 1984 DIGITAL EQUIPMENT CORPORATION	REVISION HISTORY REV. LEGD. NUMBER DATE 0 01/19/83 BARRY MASKAS	DRAWING TITLE=GA1 ABBREV=GA1 CIRCUIT+TYPE=GATE+ARRAY LAST+MODIFIED=NOT WRITTEN		DRN: BARRY MASKAS CHK'D: BARRY MASKAS	DATE: 19-DEC-83 DATE: 19-DEC-83	ENG: BARRY MASKAS SHEET 1 OF 1	DATE: 19-DEC-83 NEXT HIGHER ASSEMBLY:	TITLE: EPR BUS, XDAL BUS	SIZE D CODE CS	NUMBER M7506 -0 -37	REV B
--	---	--	--	--	------------------------------------	-----------------------------------	--	--------------------------	-------------------	---------------------	-------



1.7.2.7

*THIS DRAWING AND SPECIFICATIONS, HEREIN, ARE THE PROPERTY OF DIGITAL EQUIPMENT CORPORATION AND SHALL NOT BE REPRODUCED OR COPIED OR USED IN WHOLE OR IN PART AS THE BASIS FOR THE MANUFACTURE OR SALE OF ITEMS WITHOUT WRITTEN PERMISSION. COPYRIGHT 1984 DIGITAL EQUIPMENT CORPORATION		REVISION HISTORY REV 1 ECO NUMBER DATE 1 1978-01-01 1978	DRAWING TITLE=GA1 ABBREV=GA1 CIRCUIT+TYPE=GATE+ARRAY LAST+MODIFIED=Sun Oct 7 17:11:37 1984	digital	DRN: BARRY MASKAS CHK'D: BARRY MASKAS	DATE 19-DEC-83 DATE 19-DEC-83	ENG: BARRY MASKAS SHEET 1 OF 1 NEXT HIGHER ASSEMBLY:	DATE 19-DEC-83 TITLE: INTERNAL DATA BUSES
		SIZE D CODE CS	NUMBER M7605-0-38			REV B		





1.7.2.9

"THIS DRAWING AND SPECIFICATIONS, HEREIN, ARE THE PROPERTY OF DIGITAL EQUIPMENT CORPORATION AND SHALL NOT BE REPRODUCED OR COPIED OR USED IN WHOLE OR IN PART AS THE BASIS FOR THE MANUFACTURE OR SALE OF ITEMS WITHOUT WRITTEN PERMISSION.  
 COPYRIGHT 1984 DIGITAL EQUIPMENT CORPORATION

REV	ECO NUMBER	DATE
8	17708-1	10/7/84

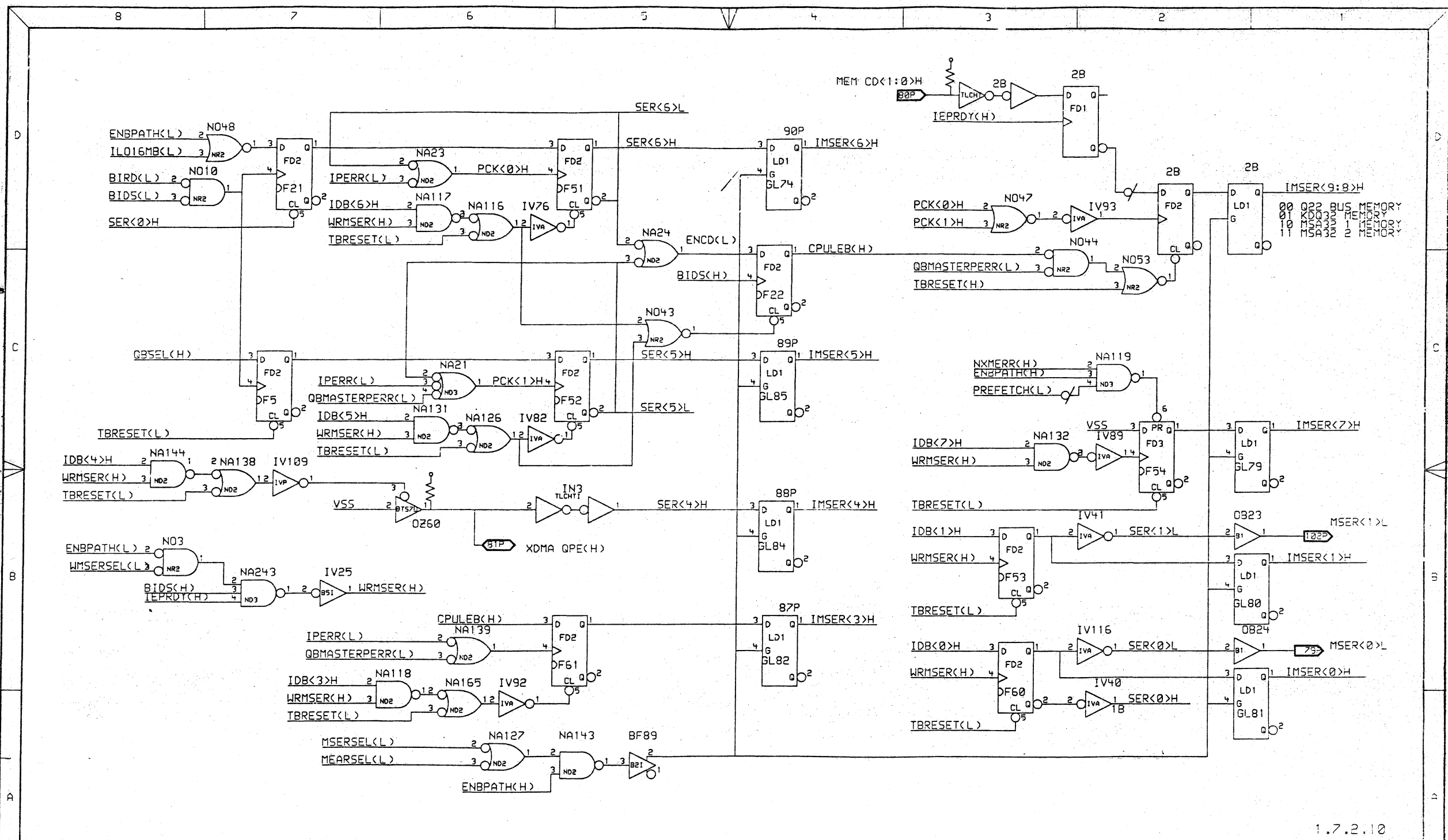
DRAWING  
 TITLE=GA1  
 ABBREV=GA1  
 CIRCUIT+TYPE=GATE+ARRAY  
 LAST+MODIFIED=Sun Oct 7 17:19:49 1984

digital

DRN: BARRY MASKAS  
 CHK'D: BARRY MASKAS  
 DATE: 19-DEC-83

ENG: BARRY MASKAS  
 DATE: 19-DEC-83  
 SHEET 1 OF 1  
 NEXT HIGHER ASSEMBLY:

TITLE: RESET COUNTER, POWER UP/DOWN CNTRL  
 SIZE CODE NUMBER REV  
 D CS M7606 -0 -40 B



1.7.2.10

\*THIS DRAWING AND SPECIFICATIONS, HEREIN, ARE THE PROPERTY OF DIGITAL EQUIPMENT CORPORATION AND SHALL NOT BE REPRODUCED OR COPIED OR USED IN WHOLE OR IN PART AS THE BASIS FOR THE MANUFACTURE OR SALE OF ITEMS WITHOUT WRITTEN PERMISSION.  
 COPYRIGHT 1984 DIGITAL EQUIPMENT CORPORATION

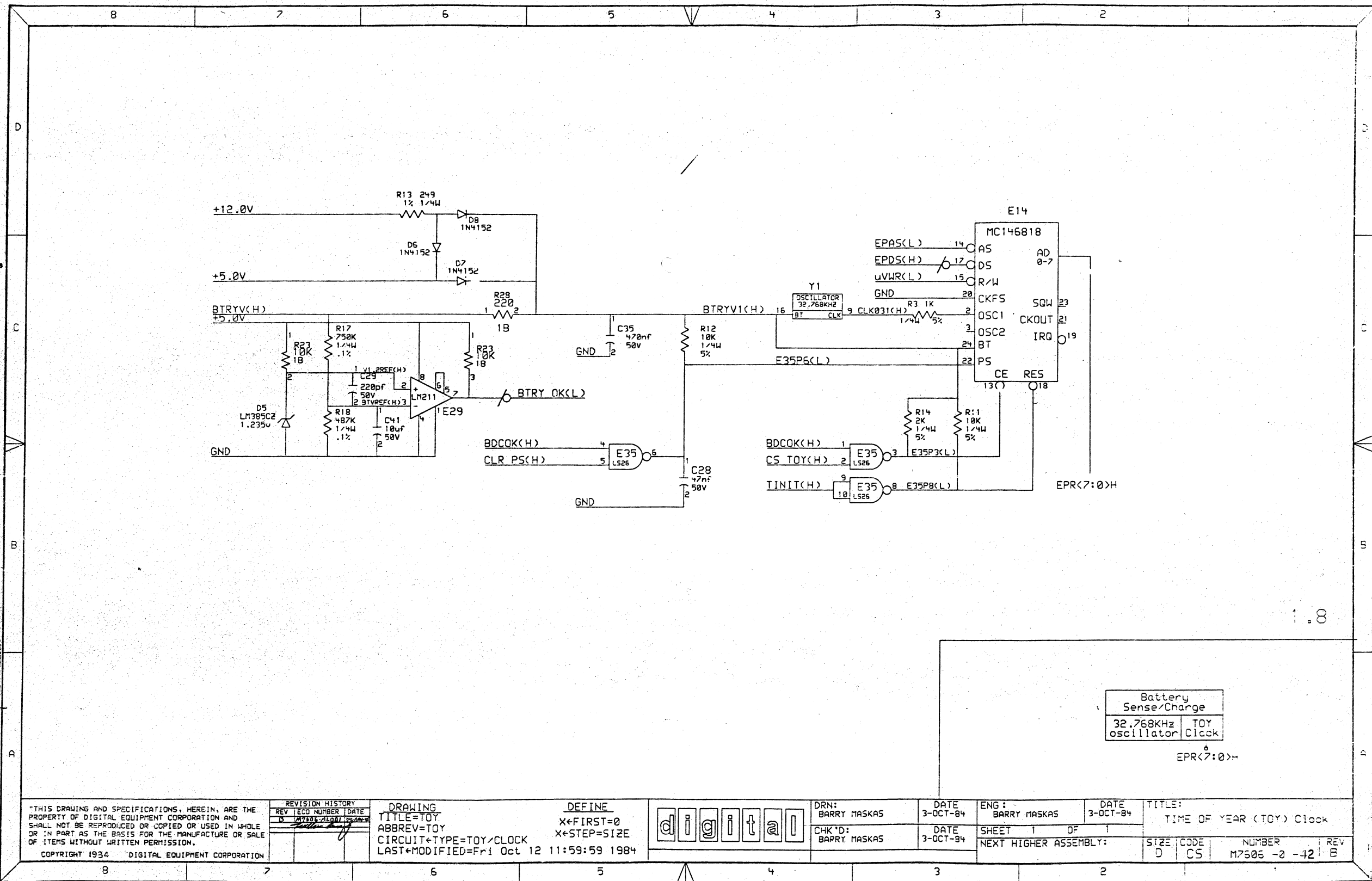
REVISION HISTORY		
REV	TECO NUMBER	DATE
0		

DRAWING  
 TITLE=GA1  
 ABBREV=GA1  
 CIRCUIT+TYPE=GATE+ARRAY  
 LAST+MODIFIED=Sun Oct 7 17:24:40 1984



DRN: BARRY MASKAS	DATE: 19-DEC-83	ENG: BARRY MASKAS	DATE: 19-DEC-83	TITLE: MEMORY SYSTEM ERROR REGISTER
CHK'D: BARRY MASKAS	DATE: 19-DEC-83	SHEET 1 OF 1	NEXT HIGHER ASSEMBLY:	SIZE CODE: D CS

NUMBER: M7606-0-41	REV: B
--------------------	--------



Battery Sense/Charge  
32.768KHz oscillator TOY Clock

EPR<7:0>H

"THIS DRAWING AND SPECIFICATIONS, HEREIN, ARE THE PROPERTY OF DIGITAL EQUIPMENT CORPORATION AND SHALL NOT BE REPRODUCED OR COPIED OR USED IN WHOLE OR IN PART AS THE BASIS FOR THE MANUFACTURE OR SALE OF ITEMS WITHOUT WRITTEN PERMISSION.  
COPYRIGHT 1984 DIGITAL EQUIPMENT CORPORATION

REV	ECO NUMBER	DATE
1		

DRAWING  
TITLE=TOY  
ABBREV=TOY  
CIRCUIT+TYPE=TOY/CLOCK  
LAST+MODIFIED=Fri Oct 12 11:59:59 1984

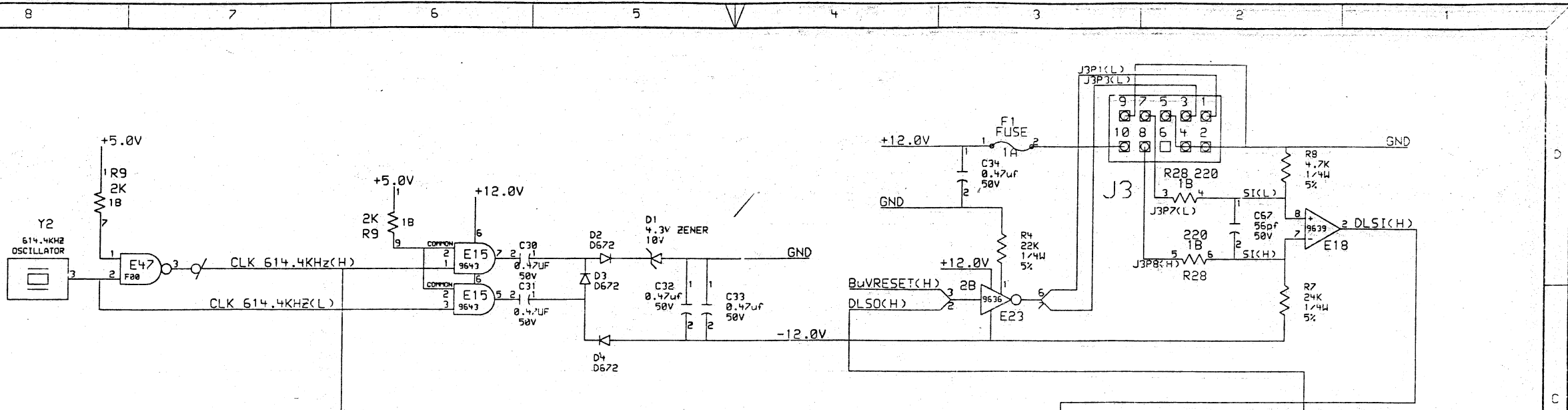
DEFINE  
X\*FIRST=0  
X\*STEP=SIZE  
**digital**

DRN: BARRY MASKAS  
DATE 3-OCT-84  
CHK'D: BARRY MASKAS  
DATE 3-OCT-84

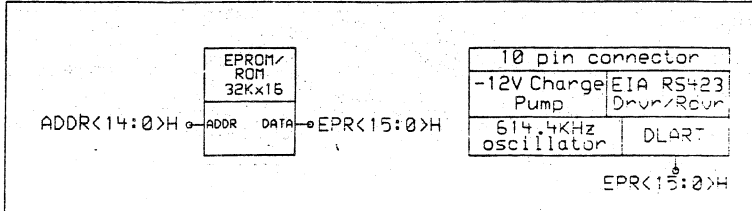
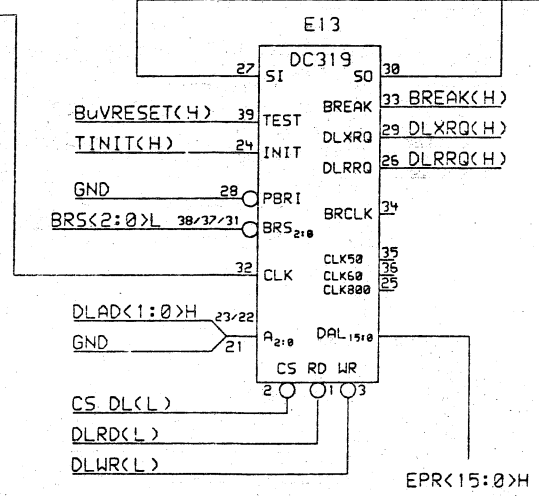
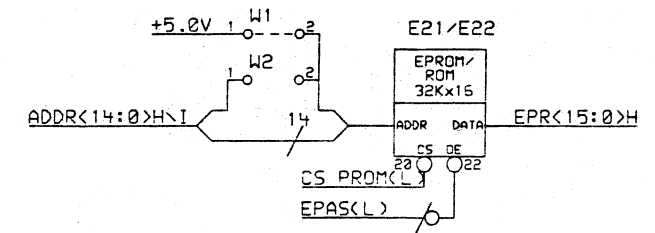
ENG: BARRY MASKAS  
DATE 3-OCT-84  
SHEET 1 OF 1  
NEXT HIGHER ASSEMBLY:

TITLE: TIME OF YEAR (TOY) Clock  
SIZE CODE NUMBER REV  
D CS M7505 -2 -42 B



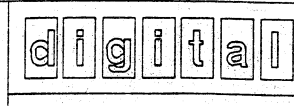


NOTE:  
 W1 is normally installed (for 2764 & 27128 EPROM's)  
 W2 is to be installed for 27256 EPROM's.



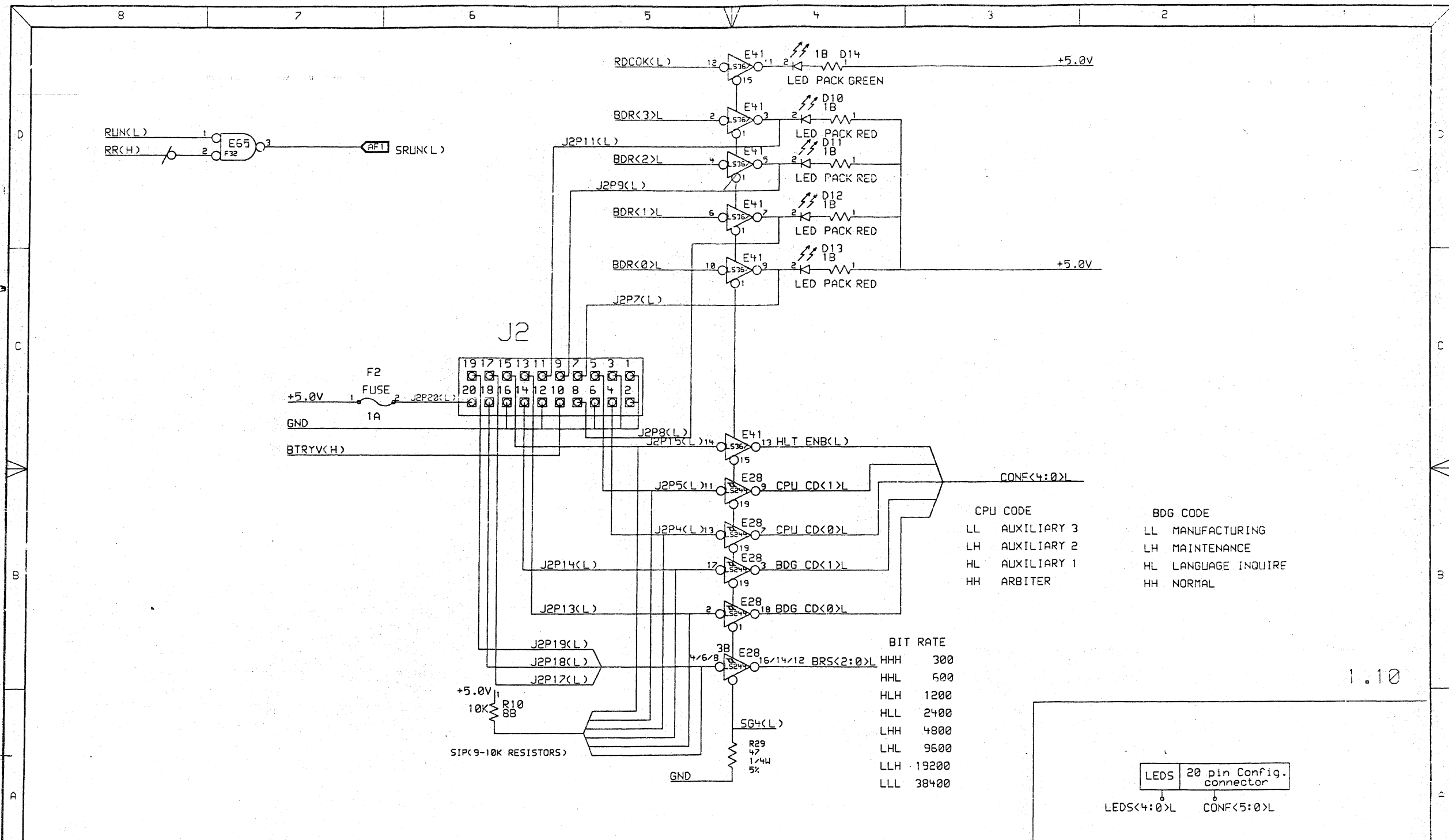
"THIS DRAWING AND SPECIFICATIONS, HEREIN, ARE THE PROPERTY OF DIGITAL EQUIPMENT CORPORATION AND SHALL NOT BE REPRODUCED OR COPIED OR USED IN WHOLE OR IN PART AS THE BASIS FOR THE MANUFACTURE OR SALE OF ITEMS WITHOUT WRITTEN PERMISSION.  
 COPYRIGHT 1984 DIGITAL EQUIPMENT CORPORATION

REVISION HISTORY		DRAWING		DEFINE	
REV	ECO NUMBER	DATE	TITLE	X+FIRST=0	X+STEP=SIZE
3	14700	11/01/84	TITLE=COMM		
			ABBREV=COMM		
			CIRCUIT*TYPE=SERIAL*I/O		
			LAST*MODIFIED=Fri Oct 12 14:27:55 1984		



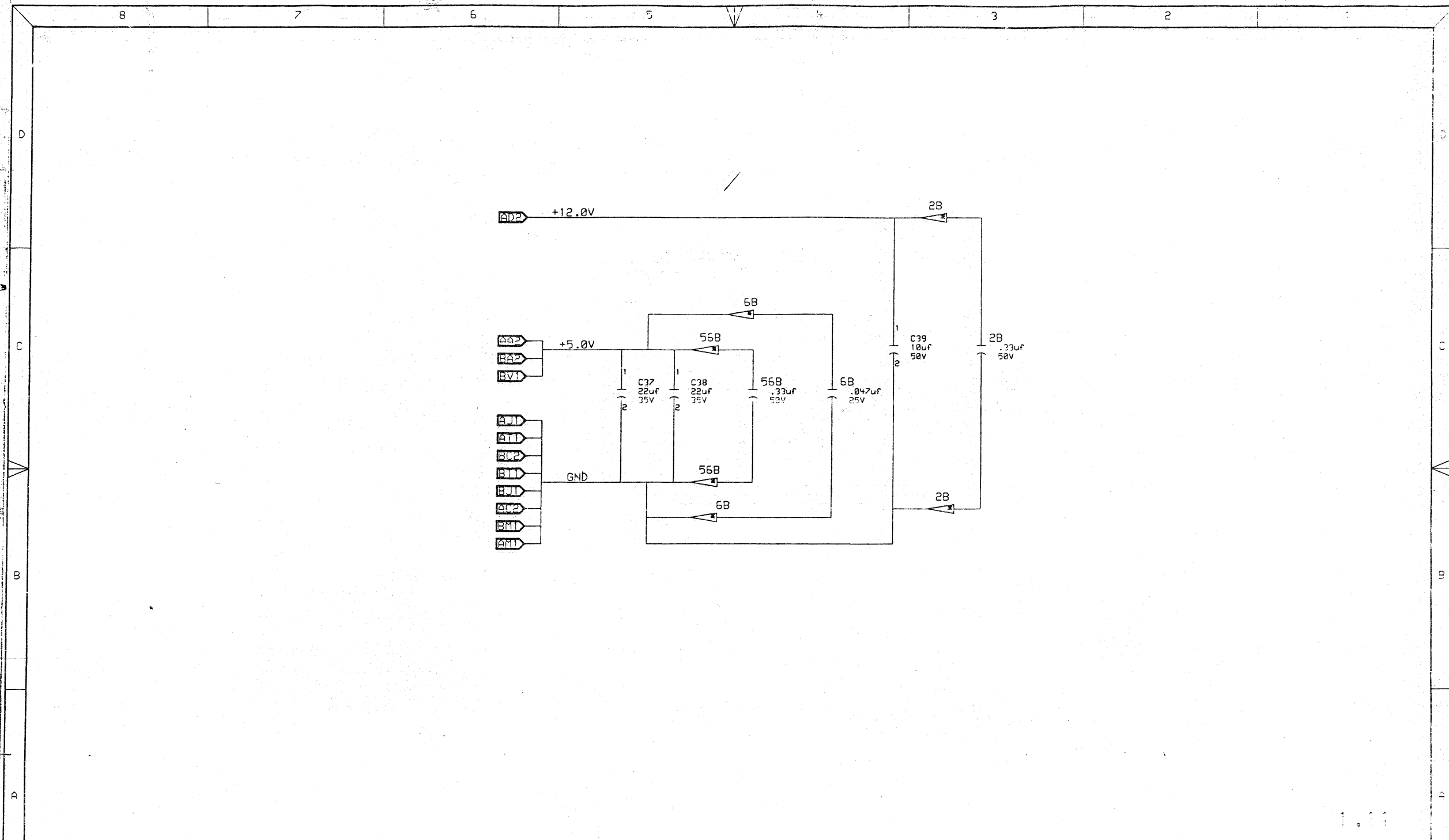
DRN: BARRY MASKAS	DATE: 3-OCT-84	ENG: BARRY MASKAS	DATE: 3-OCT-84	TITLE: Console Serial Line Interface
CHK'D: BARRY MASKAS	DATE: 3-OCT-84	SHEET: 1 OF 1	NEXT HIGHER ASSEMBLY:	SIZE: D
				CODE: CS
				NUMBER: M7606 -0 -43
				REV: 3

SIZE: D	CODE: CS	NUMBER: M7606 -0 -43	REV: 3
---------	----------	----------------------	--------

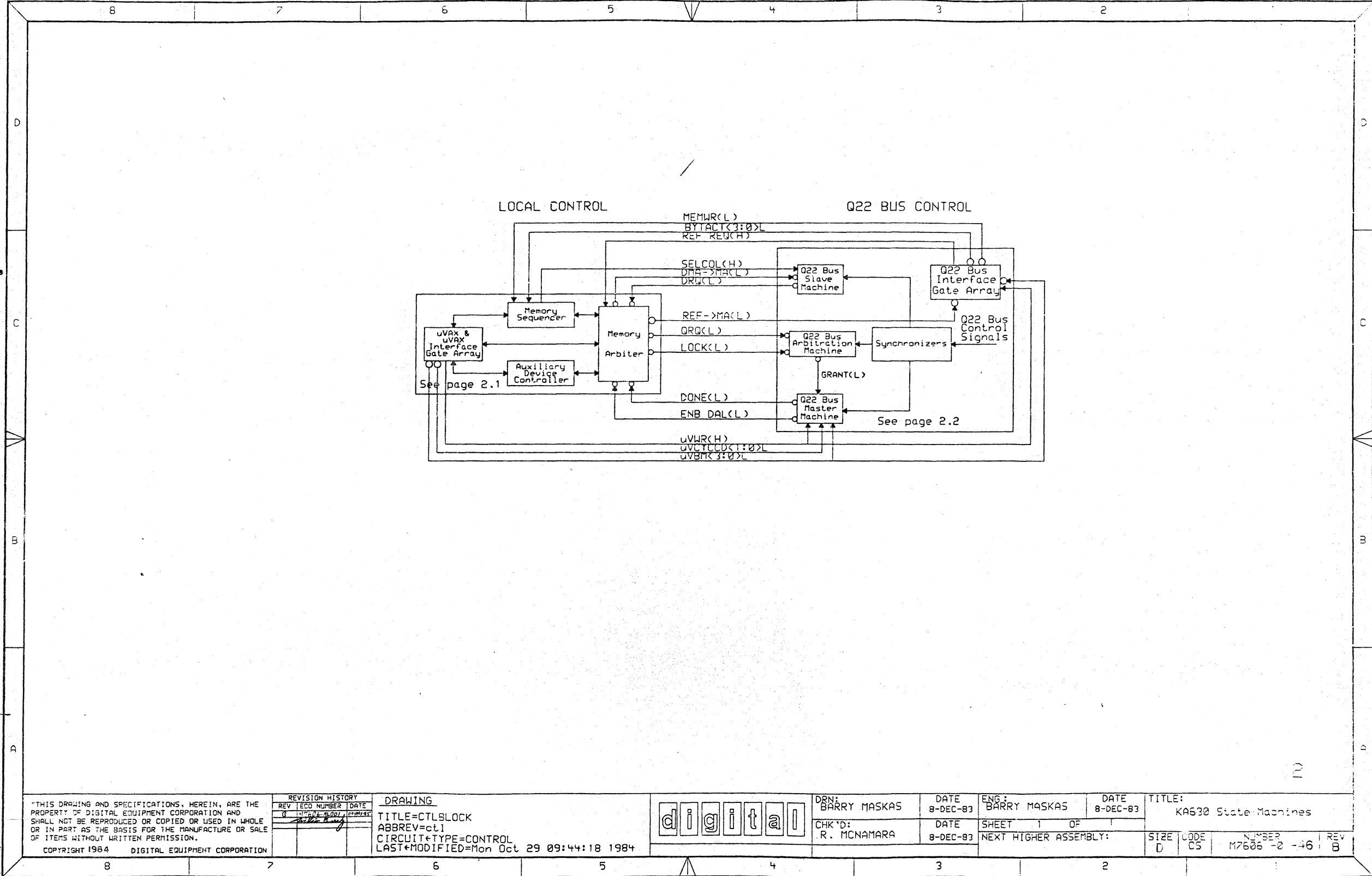


1.10

*THIS DRAWING AND SPECIFICATIONS, HEREIN, ARE THE PROPERTY OF DIGITAL EQUIPMENT CORPORATION AND SHALL NOT BE REPRODUCED OR COPIED OR USED IN WHOLE OR IN PART AS THE BASIS FOR THE MANUFACTURE OR SALE OF ITEMS WITHOUT WRITTEN PERMISSION. COPYRIGHT 1984 DIGITAL EQUIPMENT CORPORATION	REVISION HISTORY REV   ECO NUMBER   DATE B   17704   10/29/84	DRAWING TITLE=LEDS ABBREV=LEDS CIRCUIT+TYPE=CONF+CONN LAST+MODIFIED=Mon Oct 29 09:40:54 1984	DEFINE X+FIRST=0 X+STEP=SIZE		DRN: BARRY MASKAS DATE: 3-OCT-84 CHK'D: BARRY MASKAS DATE: 3-OCT-84	ENG: BARRY MASKAS DATE: 3-OCT-84 SHEET 1 OF 1 NEXT HIGHER ASSEMBLY:	TITLE: LEDS and Configuration Connector SIZE CODE NUMBER REV D CS M7606 -0 -4 B
	LEDS 20 pin Config. connector LEDS<4:0>L CONF<5:0>L						



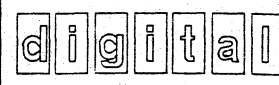
"THIS DRAWING AND SPECIFICATIONS, HEREIN, ARE THE PROPERTY OF DIGITAL EQUIPMENT CORPORATION AND SHALL NOT BE REPRODUCED OR COPIED OR USED IN WHOLE OR IN PART AS THE BASIS FOR THE MANUFACTURE OR SALE OF ITEMS WITHOUT WRITTEN PERMISSION." COPYRIGHT 1984 DIGITAL EQUIPMENT CORPORATION	REVISION HISTORY REV   ECO NUMBER   DATE 1   17505-0-01   8-1-84 2   17505-0-02   8-1-84		DRAWING TITLE=KDD32 LAST MODIFIED=Sun Oct 7 20:49:41 1984	digital	DRN: BARRY MASKAS CHK'D: BARRY MASKAS	DATE 3-OCT-84 DATE 3-OCT-84	ENG: BARRY MASKAS NEXT HIGHER ASSEMBLY:	DATE 3-OCT-84 SHEET 1 OF 1	TITLE: Decoupling Capacitors	SIZE D CODE CS	NUMBER 17505-0-45	REV B
	1.11											



"THIS DRAWING AND SPECIFICATIONS, HEREIN, ARE THE PROPERTY OF DIGITAL EQUIPMENT CORPORATION AND SHALL NOT BE REPRODUCED OR COPIED OR USED IN WHOLE OR IN PART AS THE BASIS FOR THE MANUFACTURE OR SALE OF ITEMS WITHOUT WRITTEN PERMISSION.  
 COPYRIGHT 1984 DIGITAL EQUIPMENT CORPORATION

REVISION HISTORY		
REV	ECO NUMBER	DATE
0		

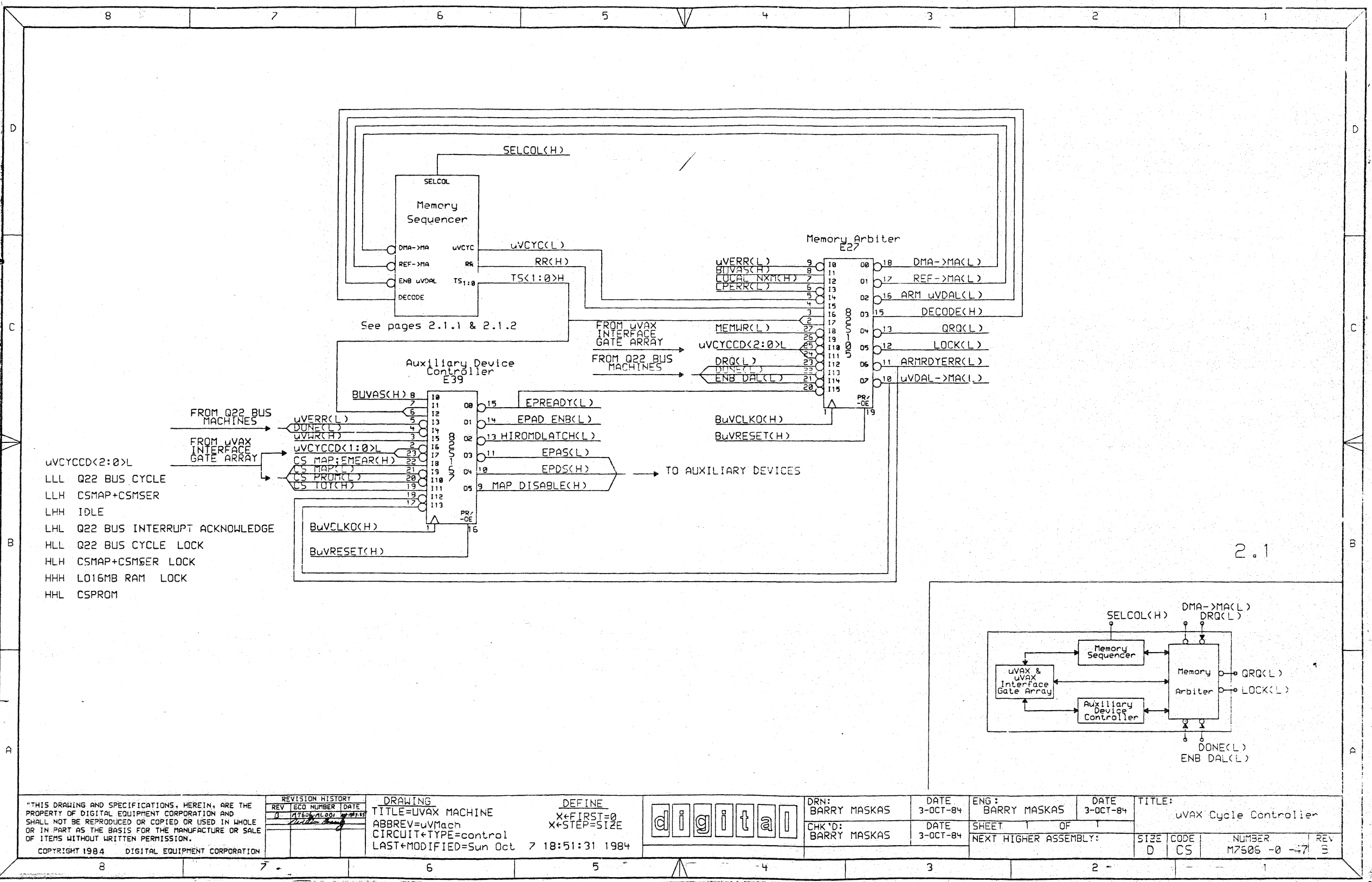
**DRAWING**  
 TITLE=CTLSBLOCK  
 ABBREV=ct1  
 CIRCUIT+TYPE=CONTROL  
 LAST+MODIFIED=Mon Oct 29 09:44:18 1984



DRN: BARRY MASKAS  
 DATE: 8-DEC-83  
 CHK'D: R. MCNAMARA  
 DATE: 8-DEC-83

ENG: BARRY MASKAS  
 DATE: 8-DEC-83  
 SHEET 1 OF  
 NEXT HIGHER ASSEMBLY:

TITLE: KA630 State Machines  
 SIZE: D CODE: CS NUMBER: M7606 -2 -46 REV: B



- uVCYC<2:0>L
- LLL Q22 BUS CYCLE
- LLH CSMAP+CSMSER
- LHH IDLE
- LHL Q22 BUS INTERRUPT ACKNOWLEDGE
- HLL Q22 BUS CYCLE LOCK
- HLH CSMAP+CSMSER LOCK
- HHH L016MB RAM LOCK
- HHL CSPROM

"THIS DRAWING AND SPECIFICATIONS, HEREIN, ARE THE PROPERTY OF DIGITAL EQUIPMENT CORPORATION AND SHALL NOT BE REPRODUCED OR COPIED OR USED IN WHOLE OR IN PART AS THE BASIS FOR THE MANUFACTURE OR SALE OF ITEMS WITHOUT WRITTEN PERMISSION.  
 COPYRIGHT 1984 DIGITAL EQUIPMENT CORPORATION

REV	ECO NUMBER	DATE
1		10/7/84

DRAWING  
 TITLE=UVAX MACHINE  
 ABBREV=uVMach  
 CIRCUIT+TYPE=control  
 LAST+MODIFIED=Sun Oct 7 18:51:31 1984

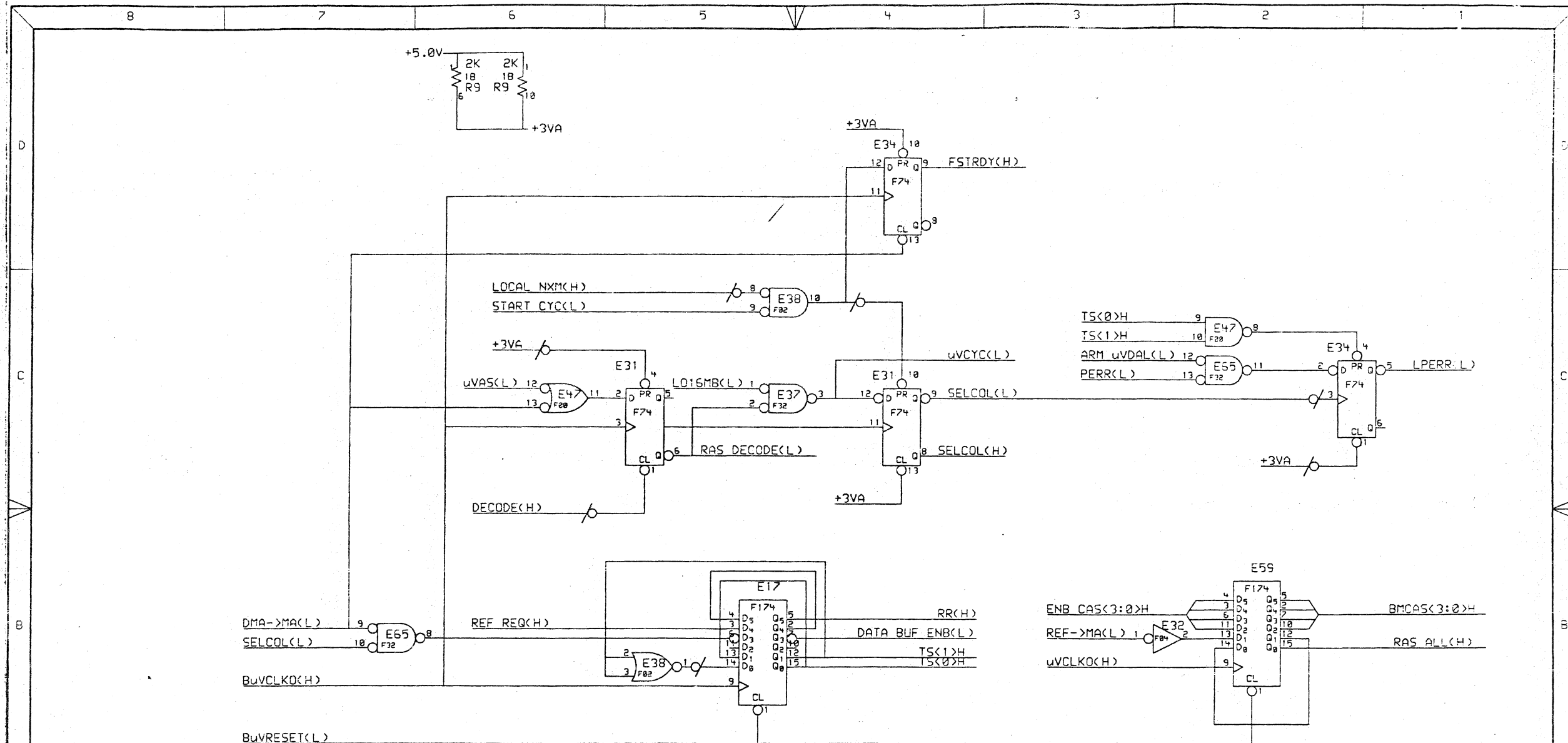
DEFINE  
 X\*FIRST=0  
 X\*STEP=SIZE



DRN:  
 BARRY MASKAS  
 DATE  
 3-OCT-84  
 CHK'D:  
 BARRY MASKAS  
 DATE  
 3-OCT-84

ENG:  
 BARRY MASKAS  
 DATE  
 3-OCT-84  
 SHEET 1 OF 1  
 NEXT HIGHER ASSEMBLY:

TITLE:  
 uVAX Cycle Controller  
 SIZE CODE NUMBER REV  
 D CS M7506 -0 -47 3



TS<1:0> STATE TABLE (uVAX Microcycle Counter)

	s	ns	
T4	00	01	first uVAX CLK0 after /BuVRESET
T1	01	11	
T2	11	10	
T3	10	00	

2.1.1

"THIS DRAWING AND SPECIFICATIONS, HEREIN, ARE THE PROPERTY OF DIGITAL EQUIPMENT CORPORATION AND SHALL NOT BE REPRODUCED OR COPIED OR USED IN WHOLE OR IN PART AS THE BASIS FOR THE MANUFACTURE OR SALE OF ITEMS WITHOUT WRITTEN PERMISSION.  
COPYRIGHT 1984 DIGITAL EQUIPMENT CORPORATION

REV	ECO NUMBER	DATE
B	M7605-M001	11-11-83

DRAWING  
TITLE=MEM CTRLR  
ABBREV=MEMCTRL  
CIRCUIT+TYPE=MEM+CTRL  
LAST+MODIFIED=Fri Oct 12 14:23:21 1984

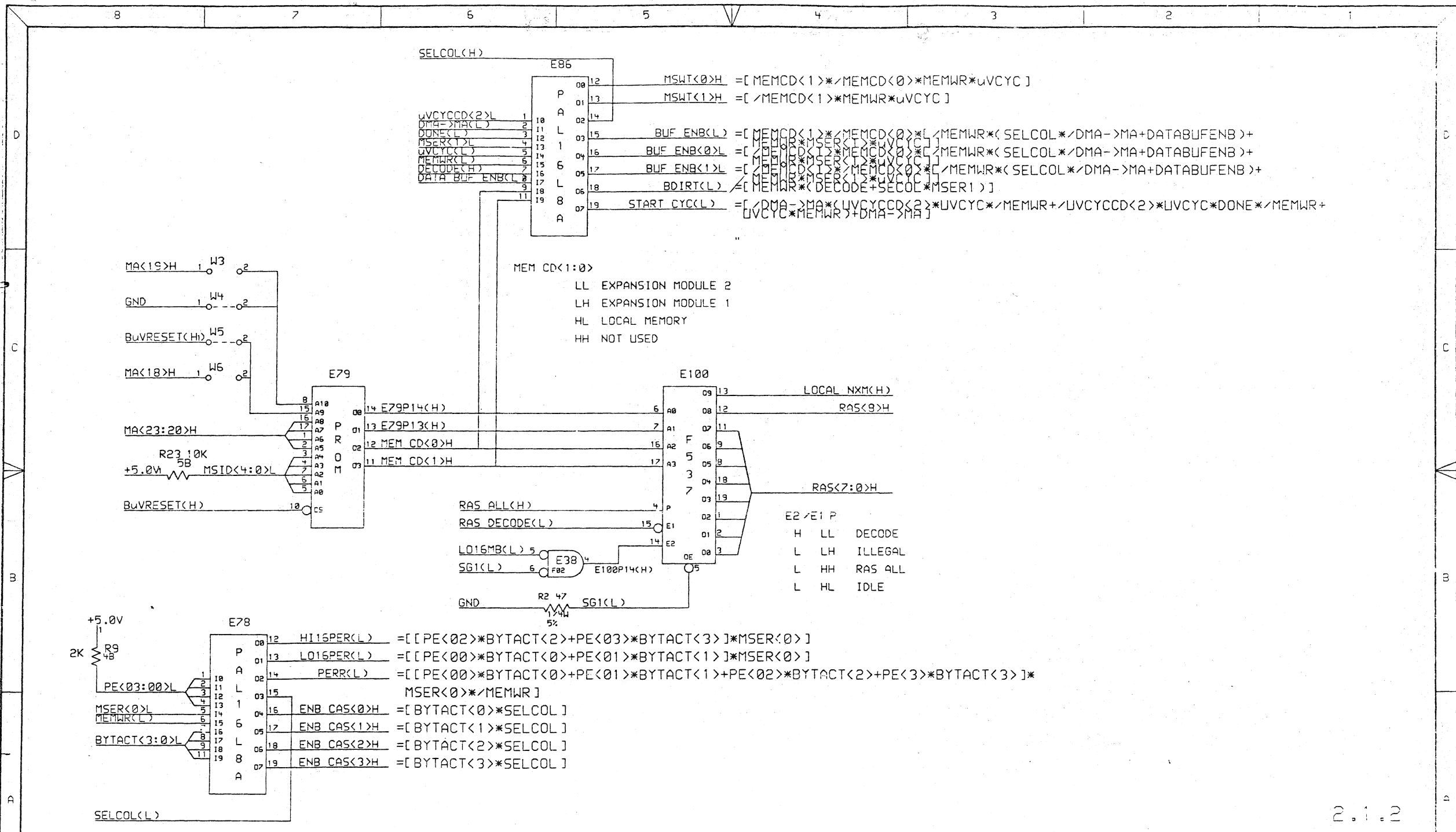


CHK'D:	DATE	SHEET	OF
BARRY MASKAS	18-DEC-83	1	1

DATE	ENG:	DATE	TITLE:
18-DEC-83	BARRY MASKAS	18-DEC-83	MEMORY SEQUENCER

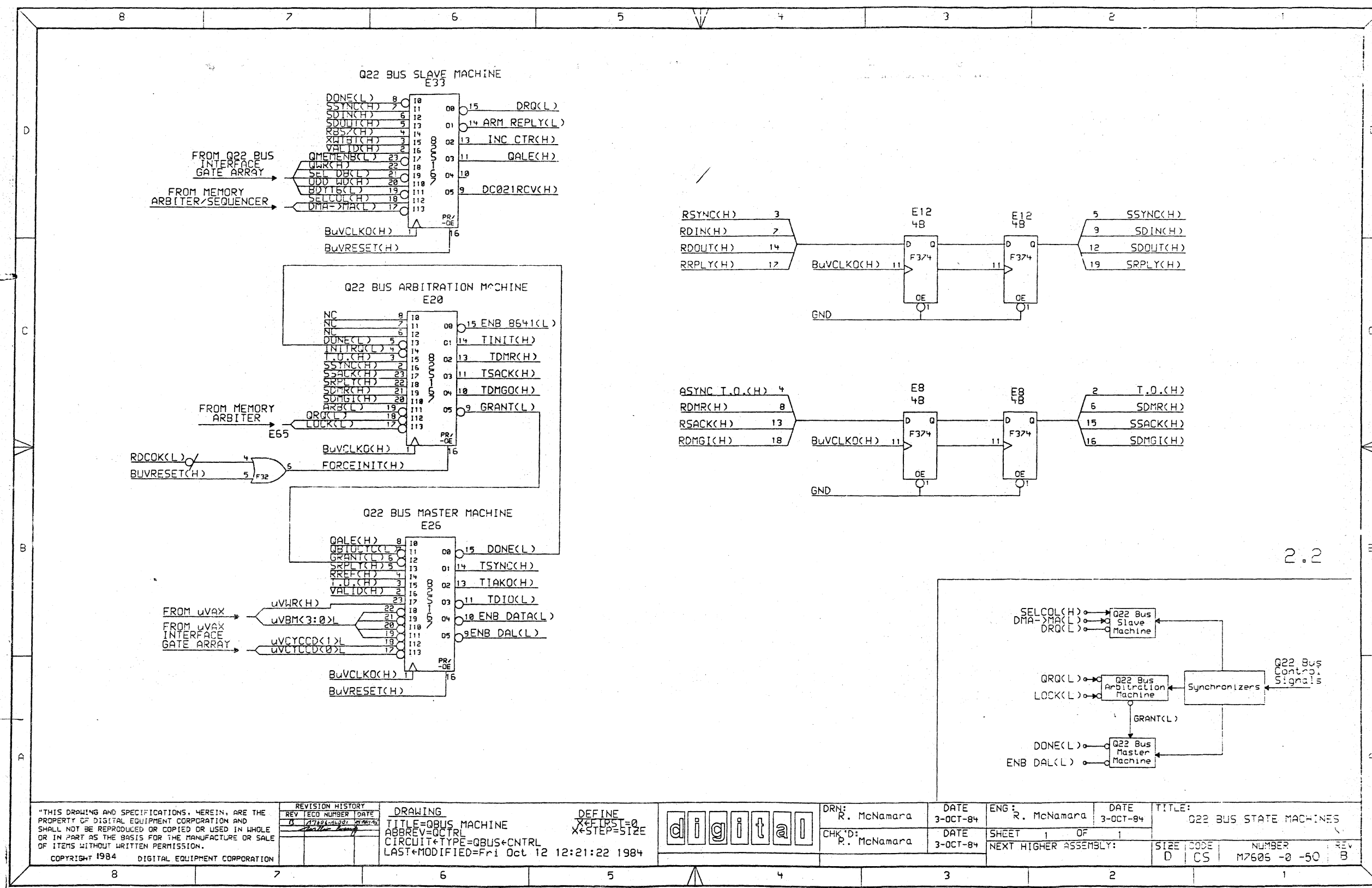
SIZE	CODE	NUMBER	REV
D	C5	M7605 -0 -43	B





2.1.2

THIS DRAWING AND SPECIFICATIONS, HEREIN, ARE THE PROPERTY OF DIGITAL EQUIPMENT CORPORATION AND SHALL NOT BE REPRODUCED OR COPIED OR USED IN WHOLE OR IN PART AS THE BASIS FOR THE MANUFACTURE OR SALE OF ITEMS WITHOUT WRITTEN PERMISSION. COPYRIGHT 1984 DIGITAL EQUIPMENT CORPORATION	REVISION HISTORY REV   ECO NUMBER   DATE B   M7605-MEM-CTRLR   10/3/84	DRAWING TITLE=MEM CTRLR ABBREV=MEM+CTRLR CIRCUIT+TYPE=MEM+DECODE LAST+MODIFIED=Fri Oct 12 14:19:03 1984	DEFINE X+FIRST=0 X+STEP=SIZE	<b>digital</b>	DRN: BARRY MASKAS DATE 3-OCT-84	ENG: BARRY MASKAS DATE 3-OCT-84	TITLE: MEMORY SEQUENCER SUPPORT
	SHEET 1 OF 1 NEXT HIGHER ASSEMBLY:	SIZE CODE D CS	NUMBER M7605-0-49	REV B			



2.2

"THIS DRAWING AND SPECIFICATIONS, HEREIN, ARE THE PROPERTY OF DIGITAL EQUIPMENT CORPORATION AND SHALL NOT BE REPRODUCED OR COPIED OR USED IN WHOLE OR IN PART AS THE BASIS FOR THE MANUFACTURE OR SALE OF ITEMS WITHOUT WRITTEN PERMISSION.  
 COPYRIGHT 1984 DIGITAL EQUIPMENT CORPORATION

REVISION HISTORY		
REV	ECO NUMBER	DATE
0	12789	10/07/84

**DRAWING**  
 TITLE=QBUS MACHINE  
 ABBREV=QCTRL  
 CIRCUIT+TYPE=QBUS+CNTRL  
 LAST+MODIFIED=Fri Oct 12 12:21:22 1984

**DEFINE**  
 X=FIRST=0  
 X+STEP=SIZE

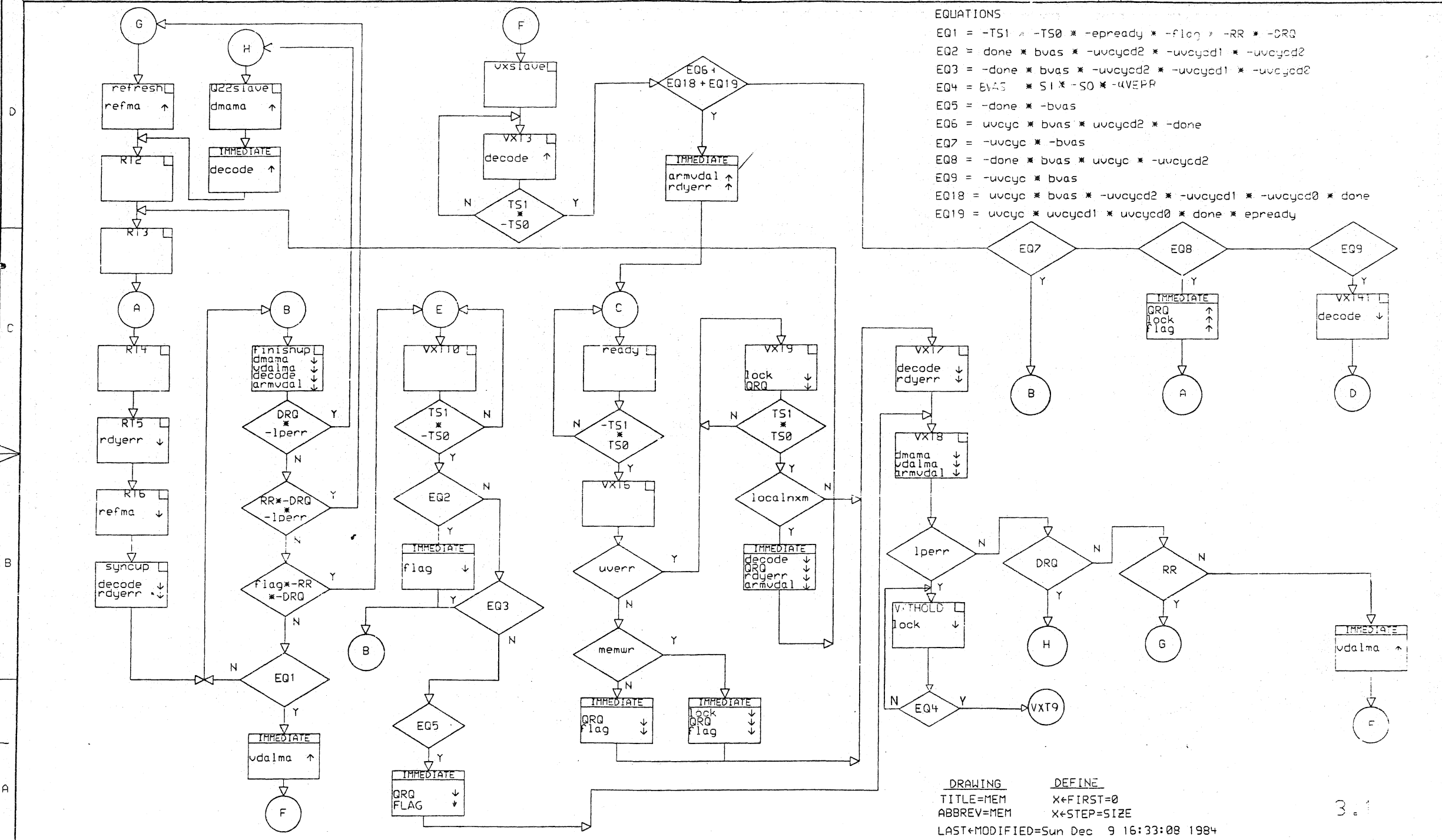


DRN: R. McNamara  
 CHK'D: R. McNamara

DATE: 3-OCT-84  
 DATE: 3-OCT-84

ENG: R. McNamara  
 SHEET 1 OF 1  
 NEXT HIGHER ASSEMBLY:

DATE: 3-OCT-84  
 TITLE: Q22 BUS STATE MACHINES  
 SIZE CODE: D CS  
 NUMBER: M7605 -0 -50  
 REV: B



EQUATIONS  
 EQ1 = -TS1 \* -TS0 \* -epready \* -flag \* -RR \* -DRQ  
 EQ2 = done \* bvas \* -uvcyd2 \* -uvcyd1 \* -uvcyd0  
 EQ3 = -done \* bvas \* -uvcyd2 \* -uvcyd1 \* -uvcyd0  
 EQ4 = EVAS \* S1 \* -S0 \* -UVEPR  
 EQ5 = -done \* -bvas  
 EQ6 = uvyc \* bvas \* uvcyd2 \* -done  
 EQ7 = -uvyc \* -bvas  
 EQ8 = -done \* bvas \* uvyc \* -uvcyd2  
 EQ9 = -uvyc \* bvas  
 EQ18 = uvyc \* bvas \* -uvcyd2 \* -uvcyd1 \* -uvcyd0 \* done  
 EQ19 = uvyc \* uvcyd1 \* uvcyd0 \* done \* epready

DRAWING DEFINE  
 TITLE=MEM X\*FIRST=0  
 ABBREV=MEM X\*STEP=SIZE  
 LAST\*MODIFIED=Sun Dec 9 16:33:08 1984

3.1

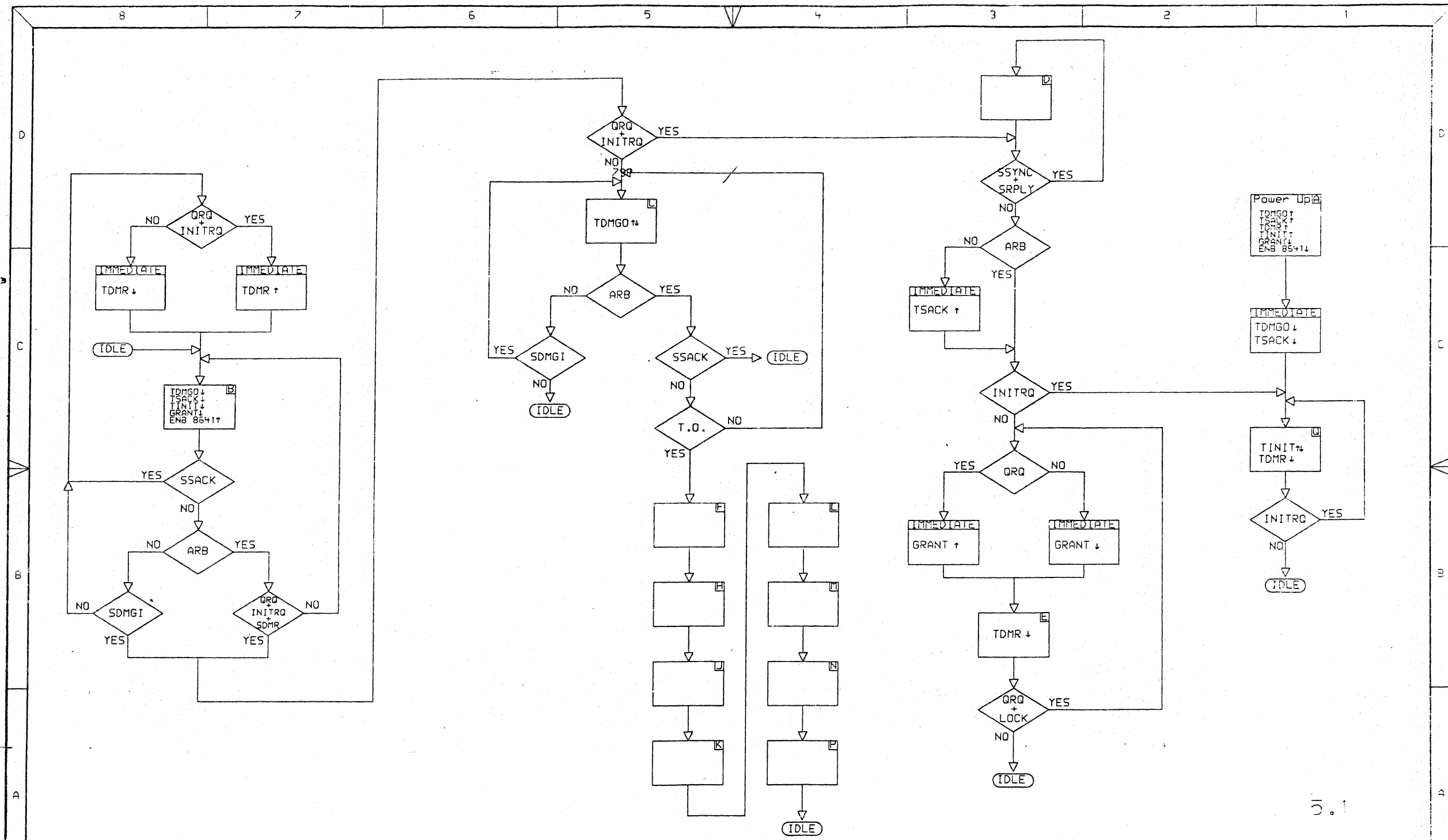
REV	DESCRIPTION	DATE
1	INITIAL DESIGN	1984-10-10
2	DESIGN CHANGES	1984-11-15
3	FINAL DESIGN	1984-12-01

REV	DESCRIPTION	DATE
1	INITIAL DESIGN	1984-10-10
2	DESIGN CHANGES	1984-11-15
3	FINAL DESIGN	1984-12-01

DRN. BARRY MASKAS	DATE 08-10-1984	E.G. BARRY MASKAS	DATE 08-10-1984	TITLE: KAS30 MEMORY SYSTEM ARBITER STATE FLOW DIAGRAMS
CHK'D BARRY MASKAS	DATE 08-10-1984	BOARD LOCATION: 2	SHEET 2	SIZE CODE D ICS
USRA: FIRST USED ON OPTION/MODEL:	TOP DOCUMENT NUMBER:	NUMBER M7605-0-52	REV. 1	







\*THIS DRAWING AND SPECIFICATIONS, HEREIN, ARE THE PROPERTY OF DIGITAL EQUIPMENT CORPORATION AND SHALL NOT BE REPRODUCED OR COPIED OR USED IN WHOLE OR IN PART AS THE BASIS FOR THE MANUFACTURE OR SALE OF ITEMS WITHOUT WRITTEN PERMISSION.  
 COPYRIGHT 1984 DIGITAL EQUIPMENT CORPORATION

REVISION HISTORY		
REV	TECO NUMBER	DATE
1		

DRAWING TITLE=ARB  
 ABBREV=arb  
 LAST MODIFIED=Mon Oct 22 15:04:38 1984

DEFINE  
 X\*FIRST=0  
 X\*STEP=SIZE



DRN: R. McNamara  
 CHK'D: R. McNamara

DATE: 6-Jul-84  
 DATE: 6-Jul-84

ENG: R. McNamara  
 SHEET 1 OF 1  
 NEXT HIGHER ASSEMBLY:

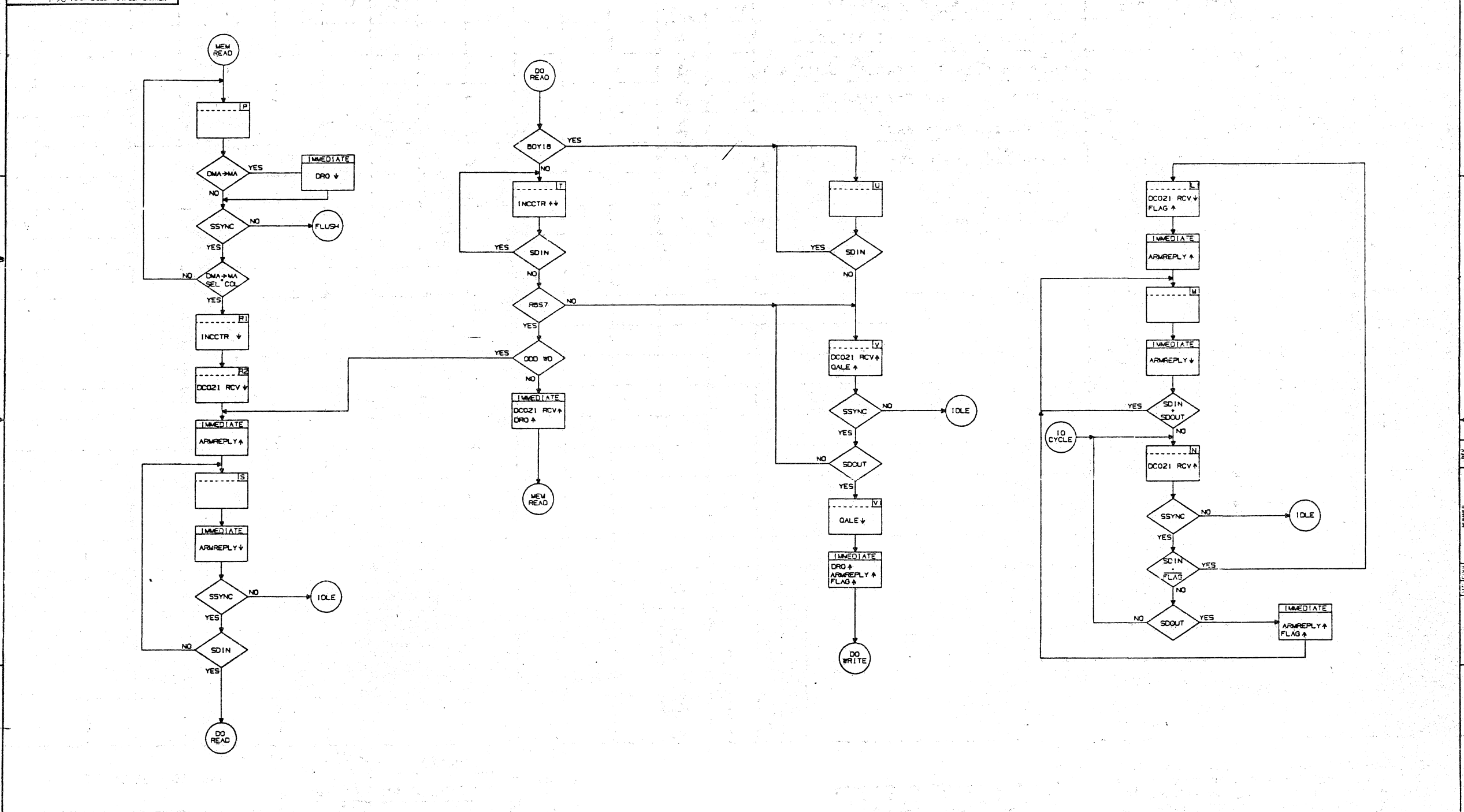
TITLE: QBUS ARBITRATION CONTROLLER  
 DETAILED CONTROL FLOW DIAGRAM  
 SIZE CODE NUMBER REV  
 D CS M7605 -0 -57 5







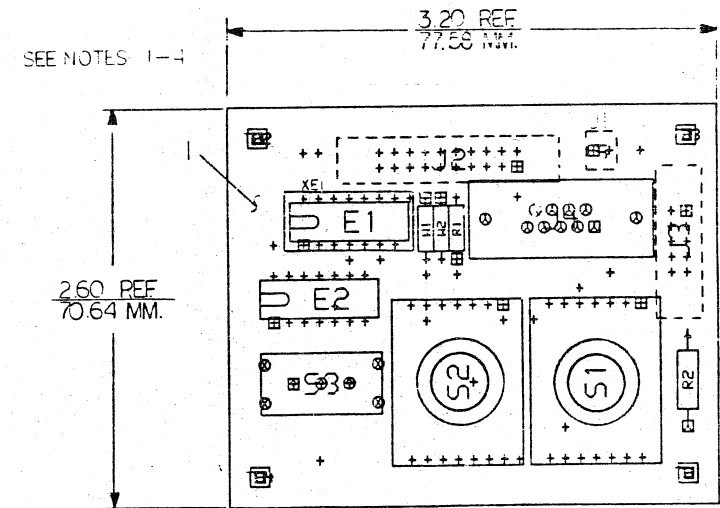
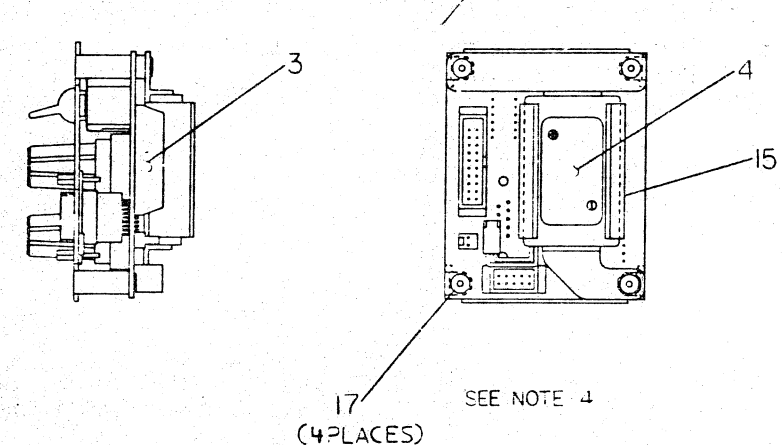
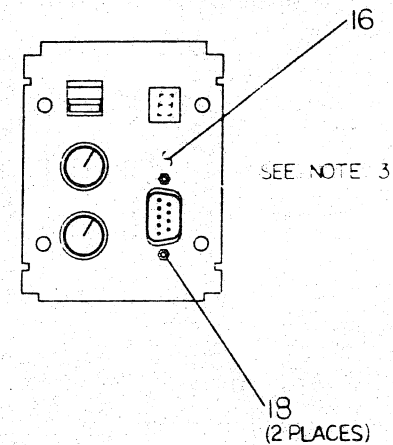
THIS DRAWING AND SPECIFICATIONS HEREIN ARE THE PROPERTY OF DIGITAL EQUIPMENT CORPORATION AND SHALL NOT BE REPRODUCED OR COPIED OR USED IN WHOLE OR IN PART AS THE BASIS FOR THE MANUFACTURE OR SALE OF ITEMS WITHOUT WRITTEN PERMISSION. COPYRIGHT © 1984 DIGITAL EQUIPMENT CORPORATION



REVISION HISTORY		
DATE	ECO NUMBER	REV



THIS DRAWING AND SPECIFICATIONS HEREIN ARE THE PROPERTY OF DIGITAL EQUIPMENT CORPORATION AND SHALL NOT BE REPRODUCED OR COPIED OR USED IN WHOLE OR IN PART AS THE BASIS FOR THE MANUFACTURE OR SALE OF ITEMS WITHOUT WRITTEN PERMISSION.  
 COPYRIGHT © 1965 DIGITAL EQUIPMENT CORPORATION



NOTES:  
 1. W1, W2 ARE NOT INSTALLED.  
 2. J1, J2 AND J3 ARE MOUNTED ON SIDE 2.  
 3. MOUNT J4 TO ITEM 16 WITH ITEM 18 BEFORE SOLDERING INTO ITEM 1.  
 4. TEST PANEL IN TESTER AFTER COMPLETING NOTE 3 AND BEFORE ASSEMBLY OF ITEMS 1, 15 & 16 WITH ITEM 17.

STEP	E	→ Y AXIS	STEP	TIMES
REFERT		→ X AXIS		

CHANGE NO	REV	DATE	BY	CHK'D	DESCRIPTION
01	1	5/16/64-TW	B		
02	2	5/16/64-TW	B		
03	3	24-MAY-65	M. DEMARE		

ETCH REV.	A1
-----------	----

SIGNATURES	DATE	TITLE	FUNCTION
DRN. DAVID DROZD		digital	
CHK'D. [Signature]			
MECH. ENG. [Signature]			
PROD. [Signature]			
SCALE 2:1			
SHT. 0F			
NEXT HIGHER ASSY. B-DD-5416744-0-0			

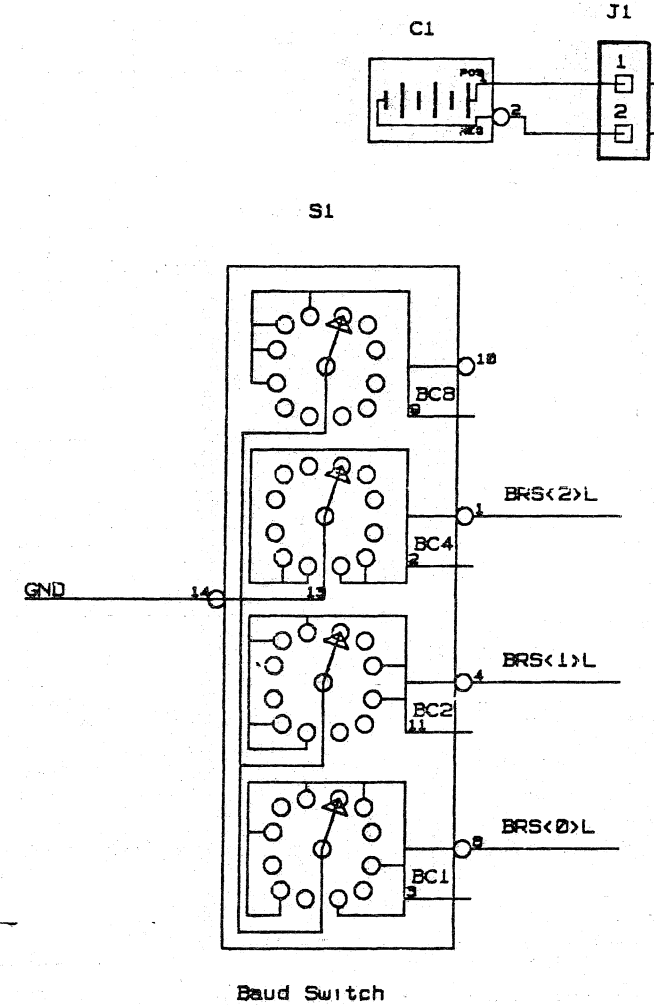
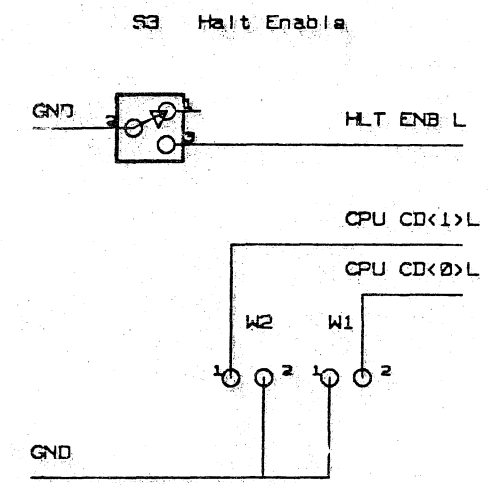
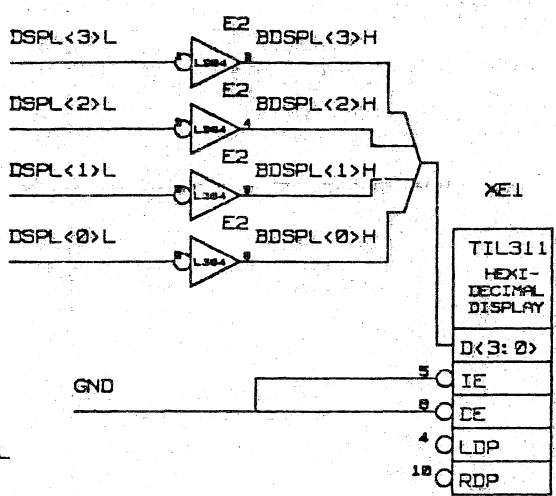
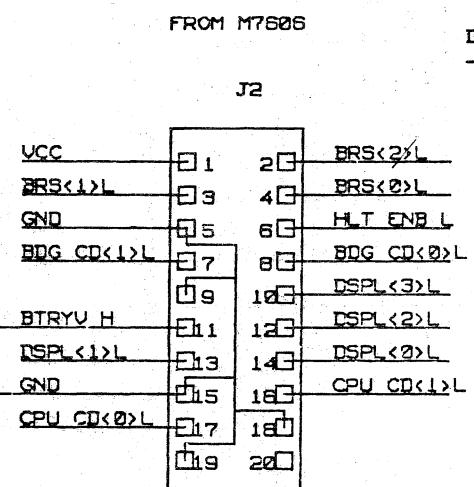
1 MS# 275-000

LINE	ITEM	TOP DOCUMENT	PART NUMBER	MIN REV	DESCRIPTION	VARIATION REVISION LEVEL:	QTY PER VARIATION	REFERENCE DESIGNATOR
1	1	D-MD-5016743-0-0	5016743-01		CIRCUIT DRILL AND ETCH		1	
2	2		1216565-02		SKT,IC 14PIN DIP TIN ELEV		1	XE1
3	3		1217727-00		PCB,HEADER 20POS(1X20).100CC STR		1	J2
4	4		1219245-01		BATTERY,3CELL 3.75V .18MA NICAD		1	
5	5		1219251-00		PCB HEADER 02PIN(1X02).100CC STR		1	J1
6	6		1219573-05		CONN,D SUB 9PIN ASSY STR		1	J4
7	7		1219952-08		PCB HEADER 09PIN(2X05).100CC STR		1	J3
8	8		1223262-01		SW,ROT 1P08POS		1	S1
9	9		1223263-02		SW,ROT 2P03POS		1	S2
10	10		1223646-01		SW,RKR SPDT ON-OFF-ON		1	S3
11	11		1300229-00		100.0 .25 W 5.0 % CF		1	R1
12	12		1300354-00		750.0 .50 W 5.0 % CF		1	R2
13	13		1912803-00		LS04 INVERTER GATE,HEX		1	E2
14	14		1916921-00		HEXADECIMAL DISPLAY W/DECODER		1	E1
15	15		7430801-01		HOLDER,BATTERY		1	
16	16		7431737-01		PLATE,CONNECTOR		1	
17	17		9008181-01		SCREW,TAP PAN PHIL 6-		4	
18	18		9008451-01		SCREW LOCK,STANDOFF ONLY .060TH		2	

REVISION HISTORY		BASIC PART NO: 5416744		DRN:	E. LANDRY	DATE:	01-JUN-84	D I G I T A L	
ENG!	ECO NUMBER	REV	SECTION A OF A	CHK'D:	D. DROZD	DATE:	01-JUN-84	TITLE PARTS LIST	
---	INITIAL	A	SECTION,VARIATION INDEX					FUNCTION SEL/SLU MODULE	
			[A] 01	DES.ENG:	M. DEMARE	DATE:	12-OCT-84	DOCUMENT NUMBER	
			[B]					SIZE	CODE
			[C]	RESP.ENG.:	M. DEMARE	DATE:	12-OCT-84	NUMBER	REV
			[D]					K	PL
			[E]	MFG.ENG.:	S. WASH	DATE:	12 NOV 84	RELEASE DATE: 27-FEB-85	
			[F]	ASSEMBLY NUMBER:	D-UA-5416744-0-0	TOP DOCUMENT NUMBER:	D-UA-5416744-0-0P	FILE NAME:	ML769A.PLS
			[G]					EDIT #	34
			[H]						
			[I]						
			[J]						
			[K]						
			[L]						
			[M]						
			[N]						

"THIS DRAWING AND THE SPECIFICATIONS CONTAINED HEREIN ARE CONFIDENTIAL AND PROPRIETARY. THEY ARE THE PROPERTY OF DIGITAL EQUIPMENT CORPORATION AND SHALL NOT BE REPRODUCED OR COPIED OR USED IN WHOLE OR IN PART AS THE BASIS FOR THE MANUFACTURE OR SALE OF ITEMS WITHOUT WRITTEN PERMISSION. THIS IS AN UNPUBLISHED WORK PROTECTED UNDER THE FEDERAL COPYRIGHT LAWS."

FROM M7606	TO FS&SLU	FROM M7606	TO FS&SLU
J2 PIN	J2 PIN	J2 PIN	J2 PIN
1	20 GND	11	10 DSPL<3>L
2	19 GND	12	9 GND
3	18 GND	13	8 BDG CD<0>L
4	17 CPU CD<0>L	14	7 BDG CD<1>L
5	16 CPU CD<1>L	15	6 HLT ENB L
6	15 GND	16	5 GND
7	14 DSPL<0>L	17	4 BRS<0>L
8	13 DSPL<1>L	18	3 BRS<1>L
9	12 DSPL<2>L	19	2 BRS<2>L
10	11 BTRYV H	20	1 +5.0V = VCC

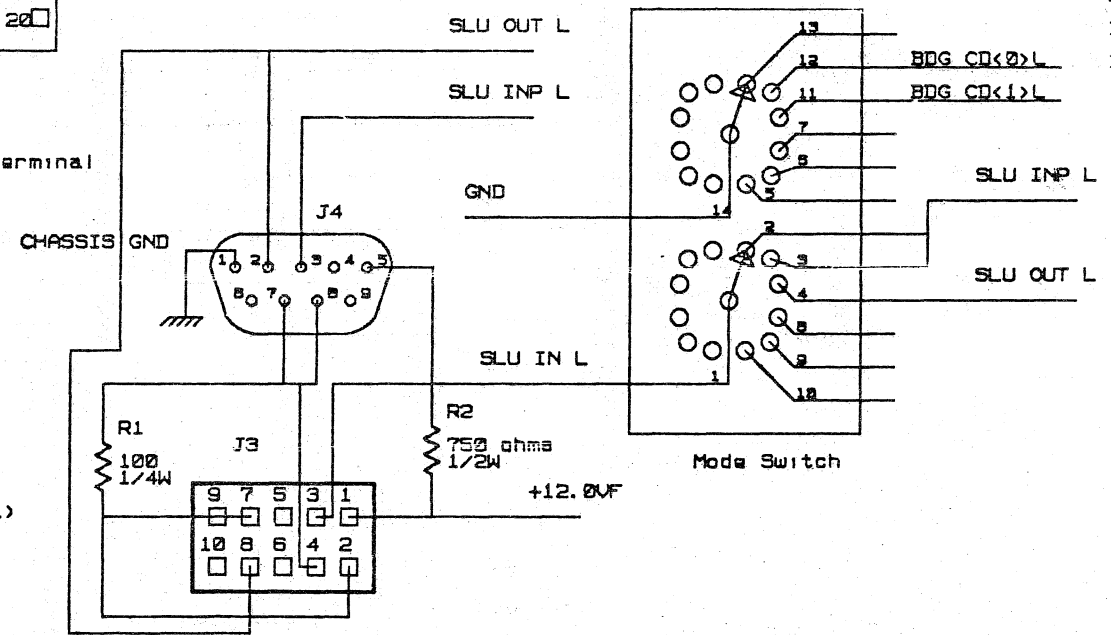


BRS<2:0>L

0	HHH	300 BAUD
1	HHL	600
2	HLH	1200
3	HLL	2400
4	LHH	4800
5	LHL	9600
6	LLH	19200
7	LLL	38400

FROM M7606 TO FS&SLU

J3 PIN	J3 PIN
1	10 BUURESET(L)
2	9 GND
3	8 SLU OUT L
4	7 GND
5	6 KEY
6	5 KEY
7	4 SLU IN H
8	3 SLU IN L
9	2 GND
10	1 +12.0V



CPU CD<1:0>L

W2	W1	FUNCTION
R	R	NORMAL
R	I	AUXILIARY 1
I	R	AUXILIARY 2
I	I	AUXILIARY 3

I=INSERTED  
R=REMOVED

BDG CD<1:0>L

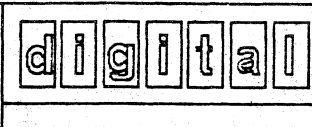
0	HH	NORMAL
1	HL	LANGUAGE INQUIRY
2	LH	SLU LOOPBACK TEST

\*THIS DRAWING AND SPECIFICATIONS, HEREIN, ARE THE PROPERTY OF DIGITAL EQUIPMENT CORPORATION AND SHALL NOT BE REPRODUCED OR COPIED OR USED IN WHOLE OR IN PART AS THE BASIS FOR THE MANUFACTURE OR SALE OF ITEMS WITHOUT WRITTEN PERMISSION.  
COPYRIGHT 1984 DIGITAL EQUIPMENT CORPORATION\*

REVISION HISTORY		
REV	ECO NUMBER	DATE

**DRAWING**  
TITLE=FUNCT SEL/SLU  
ABBREV=FSSLU  
LAST\_MODIFIED=Thu Jan 31 17:20:33 1985

**DEFINE**  
X\_FIRST=0  
X\_STEP=SIZE



DRN: Malcolm de Mara  
CHK'D: DAVE DROZD  
DATE: 20-SEP-84

ENG: Malcolm de Mara  
DATE: 20-SEP-84  
SHEET: 1 OF 1  
NEXT HIGHER ASSEMBLY: B-DD-5416744-0-0

SIZE	CODE	NUMBER	REV
K	CS	5416744-0-1	A



DRAWING NO.	NO. OF SHTS.	PART NO.	DESCRIPTION	REVISIONS															
				A1	B1														
		M9047-00	GRANT CONTINUITY	A1	B1														
D-UA-M9047-0-0	1		GRANT CONTINUITY UNIT ASSEMBLY	A	B														
D-CS-M9047-0-1	1		GRANT CONTINUITY SCHEMATIC	A	A														
K-PL-M9047-0-DBP	1		GRANT CONTINUITY PARTS LIST	A	B														
K-PC-M9047-0-DBP			P.C. DESIGN DATA BASE	A	B														
		5016679-01	ETCHED CIRCUIT BOARD	A1	B1														
B-DD-5016679-0-0			DRAWING DIRECTORY	A	B														

**NOTES:**

REVISION HISTORY		DATE	ECO NO.	REV.
		11/84	INIT	A
		5/85	ML001	B

THIS DRAWING AND THE SPECIFICATIONS CONTAINED HEREIN ARE CONFIDENTIAL AND PROPRIETARY. THEY ARE THE PROPERTY OF DIGITAL EQUIPMENT CORPORATION AND SHALL NOT BE REPRODUCED OR COPIED OR USED IN WHOLE OR IN PART AS THE BASIS FOR THE MANUFACTURE OR SALE OF ITEMS WITHOUT WRITTEN PERMISSION. THIS IS AN UNPUBLISHED WORK PROTECTED UNDER THE FEDERAL COPYRIGHT LAWS. 1984



DRN. BARRY CORMIER	DATE 11/9/84	TITLE	
CHK'D J. CUNNINGHAM	DATE 11/9/84	GRANT CONTINUITY	
DES. ENG. R. LEAZER	DATE 11/14/84	DOCUMENT NUMBER	
RESP. ENG. R. LEAZER	DATE 11/14/84	SIZE B	CODE DD
MFG. ENG. A. BROOKS	DATE 11/14/84	NUMBER M9047-0-0	REV. B
		SHEET 1 OF 1	

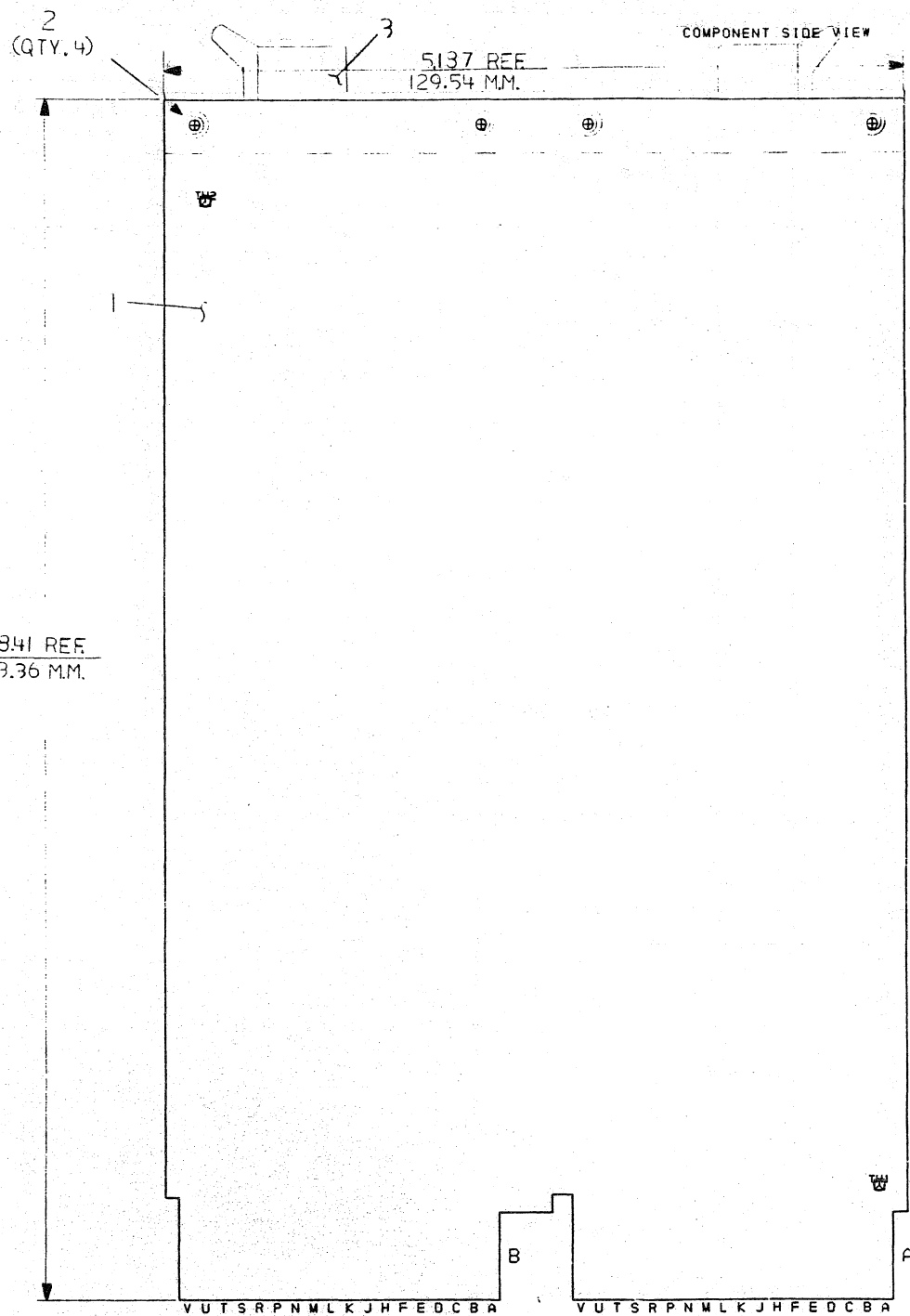
8 7 6 5 4 3 2 1

THIS DRAWING AND SPECIFICATIONS HEREBY ARE THE PROPERTY OF DIGITAL EQUIPMENT CORPORATION AND SHALL NOT BE REPRODUCED OR USED IN WHOLE OR IN PART AS THE BASIS FOR THE MANUFACTURE OR SALE OF ITEMS WITHOUT WRITTEN PERMISSION. COPYRIGHT © DIGITAL EQUIPMENT CORPORATION

1995

0-0-2905-1 UN 2

COMPONENT SIDE VIEW



NOTES:

STEP E → Y AXIS STEP TIMES

REPEAT → X AXIS STEP TIMES

CHANGE NO	REV	DATE	BY	CHK'D
M9047-MLOOL	B			

ETCH REV.	B1-P2
-----------	-------

SIGNATURES		DATE	digital
DRN. E. LANDRY		4-7-95	
CHK'D. R. [Signature]		4-2-95	
MECH. ENG. [Signature]		5-10-95	
PROJ. ENG. [Signature]		5-10-95	
PROD. [Signature]		5-10-95	
SCALE 2:1			
SHT. 1 OF 1			
NEXT HIGHER ASSY. B-DD-M9047-0-0			

TITLE GRANT  
CONTINUITY

SIZE	CODE	NUMBER	REV
2	UR	M9047-0-0	B

1 MS# 275466

8 7 6 5 4 3 2 1



LINE ITEM	TOP DOCUMENT	PART NUMBER	MIN REV	DESCRIPTION	VARIATION REVISION LEVEL:	QTY PER VARIATION	
						01	02
1	1	A-PS-1700313-0-0	1700313-01	A	CABLE ASSY,06 COND,MOLD,SHLD	2	1 -
2	2	A-PS-4700042-0-0	4700042-01		SCREWDRIVER,FLAT BLADE 0.12 X 2.		1 1
3	3	A-PS-3622092-0-0	3622092-01	A	LABEL,LCP5 CONFIGURATION		1 1
4	4	A-PS-9907349-0-0	9907349-01	A	CARTON,DIECUT,C,200PSI,W/GRAPHIC		1 1
5	5	B-DD-M9047-0	M9047-00		QBUS GRANT CONTINUITY,1ST USED I		1 1
6	6	A-PS-1700301-0-0	1700301-00	A	CABLE ASSY,07 COND,MOLD,SHLD	2	- 1
7	7	A-PS-3624251-0-0	3624251-01	A	LABEL,FRONT CONTROL PANEL BA123		1 1

REVISION HISTORY			BASIC PART NO: 7022382			DRN: D. HEALY			DATE: 05-DEC-84			D I G I T A L			
ENG	ECO NUMBER	REV	SECTION A OF A			CHK'D: D. HEALY			DATE: 08-MAR-85			TITLE PARTS LIST BA123-A ACCESSORY KIT			
---	INITIAL	A	SECTION VARIATION INDEX [A]01,02			DES.ENG: J. KWONG			DATE: 08-MAR-85			DOCUMENT NUMBER			
			[B]			RESP.ENG.: J. KWONG			DATE: 08-MAR-85			SIZE	CODE	NUMBER	REV
			[C]			MFG.ENG.: J. EDWARDS			DATE: 08-MAR-85			K	PL	7022382-0-DBP	A
			[D]			ASSEMBLY NUMBER:			TOP DOCUMENT NUMBER:			RELEASE DATE: 26-MAR-85			
			[E]									FILE NAME: ML755A.PLS			
			[F]									EDIT # 4			

"THIS DRAWING AND THE SPECIFICATIONS CONTAINED HEREIN ARE CONFIDENTIAL AND PROPRIETARY. THEY ARE THE PROPERTY OF DIGITAL EQUIPMENT CORPORATION AND SHALL NOT BE REPRODUCED OR COPIED OR USED IN WHOLE OR IN PART AS THE BASIS FOR THE MANUFACTURE OR SALE OF ITEMS WITHOUT WRITTEN PERMISSION. THIS IS AN UNPUBLISHED WORK PROTECTED UNDER THE FEDERAL COPYRIGHT LAWS."

\* THE MATERIAL HEREIN IS FOR INFORMATION PURPOSES ONLY AND IS SUBJECT TO CHANGE WITHOUT NOTICE. DIGITAL EQUIPMENT CORPORATION ASSUMES NO RESPONSIBILITY FOR ANY ERRORS WHICH MAY APPEAR HEREIN.\*

FIELD MAINTENANCE PRINT SET

\* THIS DRAWING AND SPECIFICATIONS, HEREIN, ARE THE PROPERTY OF DIGITAL EQUIPMENT CORPORATION AND SHALL NOT BE REPRODUCED OR COPIED OR USED IN WHOLE OR IN PART AS THE BASIS FOR THE MANUFACTURE OR SALE OF ITEMS WITHOUT WRITTEN PERMISSION.\* COPYRIGHT © 1985 DIGITAL EQUIPMENT CORPORATION.

TABLE OF CONTENTS

B-TC-7022380-0-DBU	BA123-A BASIC ENCLOSURE (TC)
D-AD-7022380-0-DBU	BA123-A BASIC ENCLOSURE
K-PL-7022380-0-DBP	BA123-A BASIC ENCLOSURE (PL)
B-DD-7022380-0-DBU	BA123-A BASIC ENCLOSURE (DD ONLY)
D-AR-7022380-0-DBU	BA123-A SYSTEM ARRANGEMENT
B-DD-5417507-0-0	QBUS BACKPLANE 13 SLOTS QUAD (DD)
K-PL-5417507-0-DBP	QBUS BACKPLANE 13 SLOTS QUAD
D-UA-5417507-0-0	QBUS BACKPLANE 13 SLOTS QUAD
D-CS-5417507-0-1	QBUS BACKPLANE 13 SLOTS QUAD
B-DD-5416596-0-0	BA123-A FRONT PANEL (DD ONLY)
K-PL-5416596-0-DBP	BA123-A FRONT PANEL
D-UA-5416596-0-DBU	BA123-A FRONT PANEL
D-CS-5416596-0-1	BA123-A FRONT PANEL
B-DD-5416665-0-0	REMOTE SENSE TEMP (DD ONLY)
K-PL-5416665-0-DBP	REMOTE SENSE TEMP
D-UA-5416665-0-0	REMOTE SENSE TEMP
D-CS-5416665-0-1	REMOTE SENSE TEMP
A-PS-1700859-0-0	CABLE, ASSY AC ON/OFF PWR
A-PS-1700865-0-0	CABLE, 18 COND P.S. TO BACK PNL
A-PS-1700942-0-0	CABLE ASSY, FAN DOOR INTERLOCK
A-PS-1700863-0-0	CABLE, P.S. TO CC FAN & SENSOR
A-PS-1700860-0-0	CABLE, ASSY, CONSOLE BACKPLANE
A-PS-1700870-0-0	CABLE, PS TO 2 DRIVES
A-PS-1700911-0-0	CABLE, PS TO 3 DRIVES
A-PS-1700083-0-0	US LINE CORD
A-PS-3023616-0-0	P.S. 460W (H7260)

UNIT VARIATIONS COVERED BY THIS PRINT SET

7022380-A2  
7022380-A3

7022380  
FIELD MAINTENANCE  
PRINT SET

DIGITAL EQUIPMENT  
CORPORATION

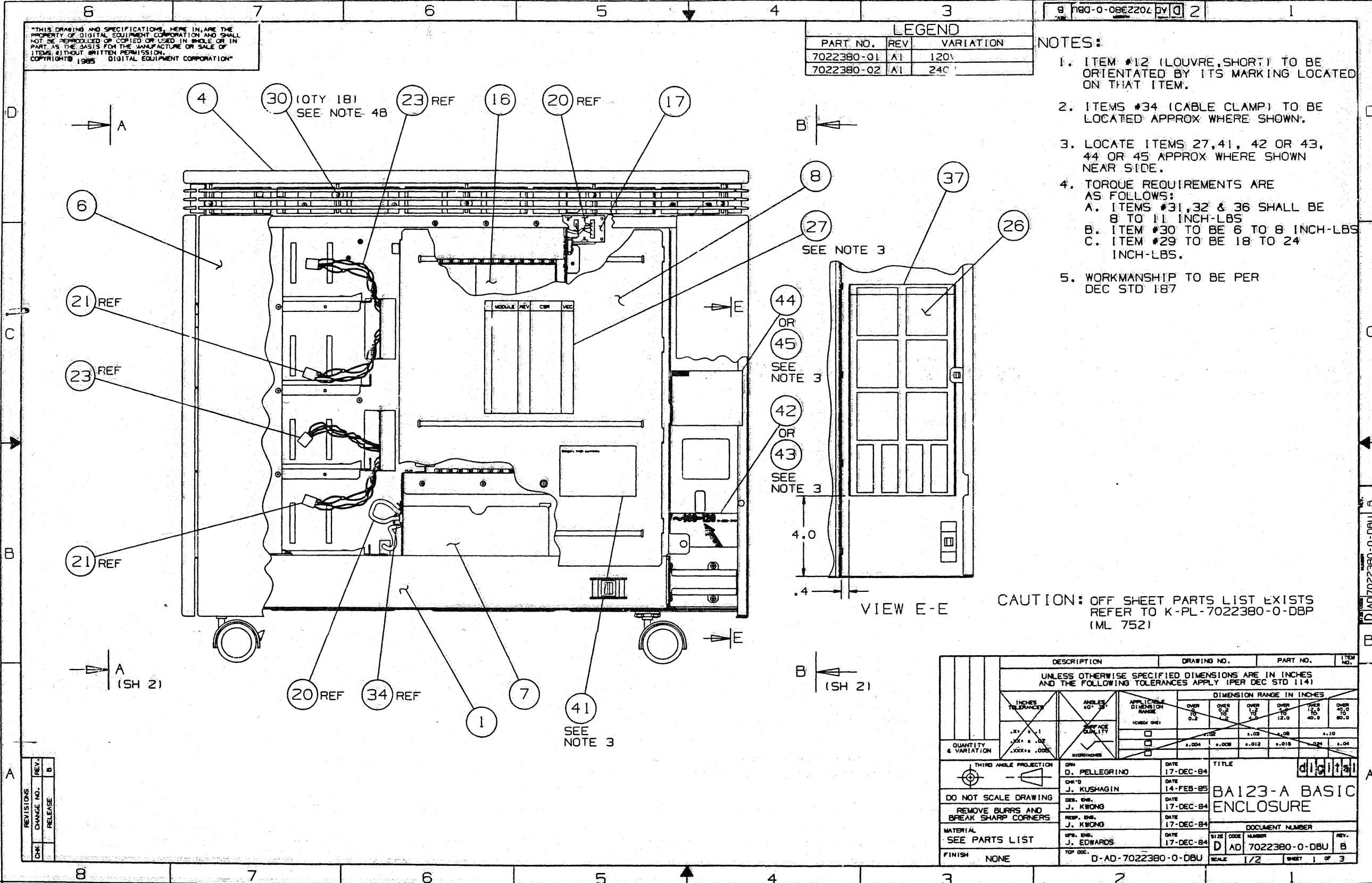
PRINT SET PART  
NUMBER MP-02049-01  
REV A1

FILE NAME: TC7022380-0-DBUA

REVISION HISTORY	REV. A	DRN. D. HEALY	DATE 29 NOV 84	TITLE	<b>digital</b> BA123-A BASIC ENCLOSURE SIZE CODE NUMBER REV. <b>B TC</b> 7022380-0-DBU A SHEET 1 OF 1
	INITIAL	CHK'D D. HEALY	DATE 08 MAR 85		
		DES. ENG. J. KWONG	DATE 08 MAR 85		
		RESP. ENG. J. KWONG	DATE 08 MAR 85		
		FIELD SERVICE J. EVANS	DATE 08 MAR 85		
	DATE	TOP DOC. B-DD-7022380-0-DBU			

REV. A  
NUMBER 7022380-0-DBU  
SIZE CODE B TC

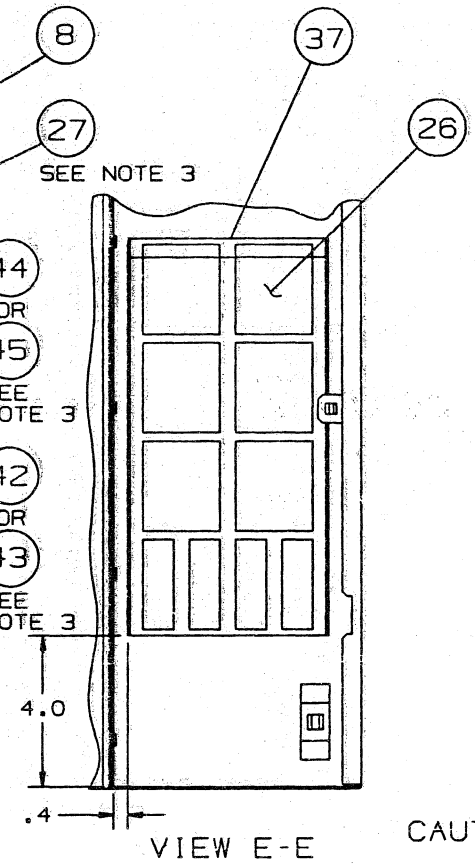
MLO1



"THIS DRAWING AND SPECIFICATIONS, HEREIN, ARE THE PROPERTY OF DIGITAL EQUIPMENT CORPORATION AND SHALL NOT BE REPRODUCED OR COPIED OR USED IN WHOLE OR IN PART AS THE BASIS FOR THE MANUFACTURE OR SALE OF ITEMS WITHOUT WRITTEN PERMISSION. COPYRIGHT © 1985 DIGITAL EQUIPMENT CORPORATION"

LEGEND		
PART NO.	REV	VARIATION
7022380-01	A1	120V
7022380-02	A1	240V

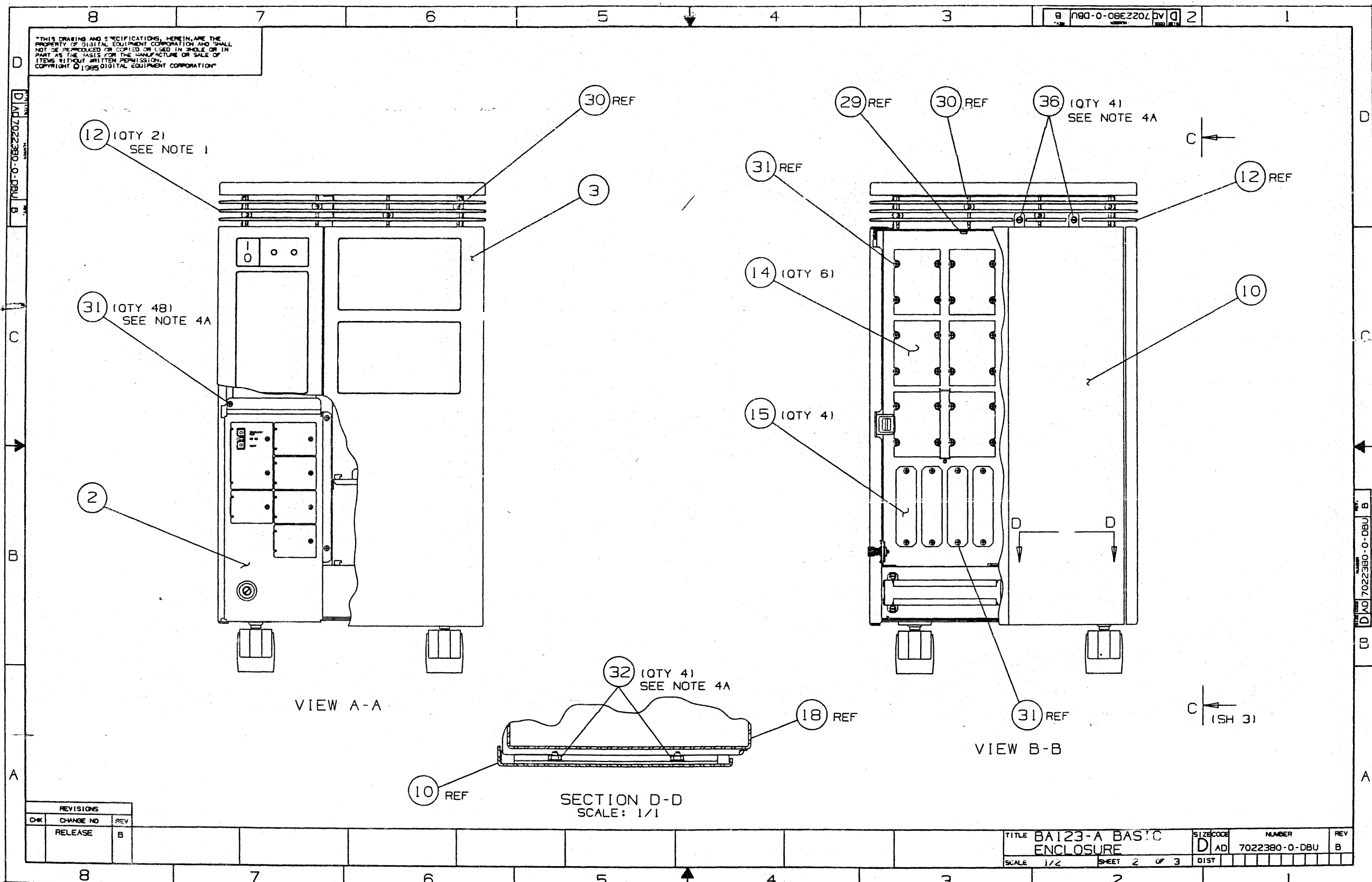
- NOTES:
- ITEM #12 (LOUVRE, SHORT) TO BE ORIENTATED BY ITS MARKING LOCATED ON THAT ITEM.
  - ITEMS #34 (CABLE CLAMP) TO BE LOCATED APPROX WHERE SHOWN.
  - LOCATE ITEMS 27, 41, 42 OR 43, 44 OR 45 APPROX WHERE SHOWN NEAR SIDE.
  - TORQUE REQUIREMENTS ARE AS FOLLOWS:
    - A. ITEMS #31, 32 & 36 SHALL BE 8 TO 11 INCH-LBS
    - B. ITEM #30 TO BE 6 TO 8 INCH-LBS
    - C. ITEM #29 TO BE 18 TO 24 INCH-LBS.
  - WORKMANSHIP TO BE PER DEC STD 187



CAUTION: OFF SHEET PARTS LIST EXISTS REFER TO K-PL-7022380-0-DBP (ML 752)

DESCRIPTION	DRAWING NO.	PART NO.	ITEM NO.
UNLESS OTHERWISE SPECIFIED DIMENSIONS ARE IN INCHES AND THE FOLLOWING TOLERANCES APPLY (PER DEC STD 114)			
DIMENSION RANGE IN INCHES			
INCHES TOLERANCES	ANGLES	APPLICABLE DIMENSION RANGE	DIMENSION RANGE IN INCHES
.XX ± .01	± .005	0.000 - 0.250	OVER 0.000 TO 0.250
.XX ± .02	± .010	0.250 - 1.000	OVER 0.250 TO 1.000
.XX ± .03	± .015	1.000 - 2.000	OVER 1.000 TO 2.000
.XX ± .04	± .020	2.000 - 4.000	OVER 2.000 TO 4.000
.XX ± .05	± .025	4.000 - 6.000	OVER 4.000 TO 6.000
.XX ± .06	± .030	6.000 - 10.000	OVER 6.000 TO 10.000
.XX ± .07	± .035	10.000 - 15.000	OVER 10.000 TO 15.000
.XX ± .08	± .040	15.000 - 20.000	OVER 15.000 TO 20.000
.XX ± .09	± .045	20.000 - 30.000	OVER 20.000 TO 30.000
.XX ± .10	± .050	30.000 - 40.000	OVER 30.000 TO 40.000
.XX ± .12	± .060	40.000 - 50.000	OVER 40.000 TO 50.000
.XX ± .15	± .075	50.000 - 60.000	OVER 50.000 TO 60.000
.XX ± .18	± .090	60.000 - 70.000	OVER 60.000 TO 70.000
.XX ± .20	± .100	70.000 - 80.000	OVER 70.000 TO 80.000
.XX ± .25	± .125	80.000 - 100.000	OVER 80.000 TO 100.000
.XX ± .30	± .150	100.000 - 120.000	OVER 100.000 TO 120.000
.XX ± .35	± .175	120.000 - 150.000	OVER 120.000 TO 150.000
.XX ± .40	± .200	150.000 - 200.000	OVER 150.000 TO 200.000
.XX ± .45	± .225	200.000 - 250.000	OVER 200.000 TO 250.000
.XX ± .50	± .250	250.000 - 300.000	OVER 250.000 TO 300.000
.XX ± .55	± .275	300.000 - 350.000	OVER 300.000 TO 350.000
.XX ± .60	± .300	350.000 - 400.000	OVER 350.000 TO 400.000
.XX ± .65	± .325	400.000 - 450.000	OVER 400.000 TO 450.000
.XX ± .70	± .350	450.000 - 500.000	OVER 450.000 TO 500.000
.XX ± .75	± .375	500.000 - 550.000	OVER 500.000 TO 550.000
.XX ± .80	± .400	550.000 - 600.000	OVER 550.000 TO 600.000
.XX ± .85	± .425	600.000 - 650.000	OVER 600.000 TO 650.000
.XX ± .90	± .450	650.000 - 700.000	OVER 650.000 TO 700.000
.XX ± .95	± .475	700.000 - 750.000	OVER 700.000 TO 750.000
.XX ± 1.00	± .500	750.000 - 800.000	OVER 750.000 TO 800.000
.XX ± 1.10	± .550	800.000 - 900.000	OVER 800.000 TO 900.000
.XX ± 1.20	± .600	900.000 - 1000.000	OVER 900.000 TO 1000.000
.XX ± 1.30	± .650	1000.000 - 1100.000	OVER 1000.000 TO 1100.000
.XX ± 1.40	± .700	1100.000 - 1200.000	OVER 1100.000 TO 1200.000
.XX ± 1.50	± .750	1200.000 - 1300.000	OVER 1200.000 TO 1300.000
.XX ± 1.60	± .800	1300.000 - 1400.000	OVER 1300.000 TO 1400.000
.XX ± 1.70	± .850	1400.000 - 1500.000	OVER 1400.000 TO 1500.000
.XX ± 1.80	± .900	1500.000 - 1600.000	OVER 1500.000 TO 1600.000
.XX ± 1.90	± .950	1600.000 - 1700.000	OVER 1600.000 TO 1700.000
.XX ± 2.00	± 1.000	1700.000 - 1800.000	OVER 1700.000 TO 1800.000
.XX ± 2.10	± 1.050	1800.000 - 1900.000	OVER 1800.000 TO 1900.000
.XX ± 2.20	± 1.100	1900.000 - 2000.000	OVER 1900.000 TO 2000.000
.XX ± 2.30	± 1.150	2000.000 - 2100.000	OVER 2000.000 TO 2100.000
.XX ± 2.40	± 1.200	2100.000 - 2200.000	OVER 2100.000 TO 2200.000
.XX ± 2.50	± 1.250	2200.000 - 2300.000	OVER 2200.000 TO 2300.000
.XX ± 2.60	± 1.300	2300.000 - 2400.000	OVER 2300.000 TO 2400.000
.XX ± 2.70	± 1.350	2400.000 - 2500.000	OVER 2400.000 TO 2500.000
.XX ± 2.80	± 1.400	2500.000 - 2600.000	OVER 2500.000 TO 2600.000
.XX ± 2.90	± 1.450	2600.000 - 2700.000	OVER 2600.000 TO 2700.000
.XX ± 3.00	± 1.500	2700.000 - 2800.000	OVER 2700.000 TO 2800.000
.XX ± 3.10	± 1.550	2800.000 - 2900.000	OVER 2800.000 TO 2900.000
.XX ± 3.20	± 1.600	2900.000 - 3000.000	OVER 2900.000 TO 3000.000
.XX ± 3.30	± 1.650	3000.000 - 3100.000	OVER 3000.000 TO 3100.000
.XX ± 3.40	± 1.700	3100.000 - 3200.000	OVER 3100.000 TO 3200.000
.XX ± 3.50	± 1.750	3200.000 - 3300.000	OVER 3200.000 TO 3300.000
.XX ± 3.60	± 1.800	3300.000 - 3400.000	OVER 3300.000 TO 3400.000
.XX ± 3.70	± 1.850	3400.000 - 3500.000	OVER 3400.000 TO 3500.000
.XX ± 3.80	± 1.900	3500.000 - 3600.000	OVER 3500.000 TO 3600.000
.XX ± 3.90	± 1.950	3600.000 - 3700.000	OVER 3600.000 TO 3700.000
.XX ± 4.00	± 2.000	3700.000 - 3800.000	OVER 3700.000 TO 3800.000
.XX ± 4.10	± 2.050	3800.000 - 3900.000	OVER 3800.000 TO 3900.000
.XX ± 4.20	± 2.100	3900.000 - 4000.000	OVER 3900.000 TO 4000.000
.XX ± 4.30	± 2.150	4000.000 - 4100.000	OVER 4000.000 TO 4100.000
.XX ± 4.40	± 2.200	4100.000 - 4200.000	OVER 4100.000 TO 4200.000
.XX ± 4.50	± 2.250	4200.000 - 4300.000	OVER 4200.000 TO 4300.000
.XX ± 4.60	± 2.300	4300.000 - 4400.000	OVER 4300.000 TO 4400.000
.XX ± 4.70	± 2.350	4400.000 - 4500.000	OVER 4400.000 TO 4500.000
.XX ± 4.80	± 2.400	4500.000 - 4600.000	OVER 4500.000 TO 4600.000
.XX ± 4.90	± 2.450	4600.000 - 4700.000	OVER 4600.000 TO 4700.000
.XX ± 5.00	± 2.500	4700.000 - 4800.000	OVER 4700.000 TO 4800.000
.XX ± 5.10	± 2.550	4800.000 - 4900.000	OVER 4800.000 TO 4900.000
.XX ± 5.20	± 2.600	4900.000 - 5000.000	OVER 4900.000 TO 5000.000
.XX ± 5.30	± 2.650	5000.000 - 5100.000	OVER 5000.000 TO 5100.000
.XX ± 5.40	± 2.700	5100.000 - 5200.000	OVER 5100.000 TO 5200.000
.XX ± 5.50	± 2.750	5200.000 - 5300.000	OVER 5200.000 TO 5300.000
.XX ± 5.60	± 2.800	5300.000 - 5400.000	OVER 5300.000 TO 5400.000
.XX ± 5.70	± 2.850	5400.000 - 5500.000	OVER 5400.000 TO 5500.000
.XX ± 5.80	± 2.900	5500.000 - 5600.000	OVER 5500.000 TO 5600.000
.XX ± 5.90	± 2.950	5600.000 - 5700.000	OVER 5600.000 TO 5700.000
.XX ± 6.00	± 3.000	5700.000 - 5800.000	OVER 5700.000 TO 5800.000
.XX ± 6.10	± 3.050	5800.000 - 5900.000	OVER 5800.000 TO 5900.000
.XX ± 6.20	± 3.100	5900.000 - 6000.000	OVER 5900.000 TO 6000.000
.XX ± 6.30	± 3.150	6000.000 - 6100.000	OVER 6000.000 TO 6100.000
.XX ± 6.40	± 3.200	6100.000 - 6200.000	OVER 6100.000 TO 6200.000
.XX ± 6.50	± 3.250	6200.000 - 6300.000	OVER 6200.000 TO 6300.000
.XX ± 6.60	± 3.300	6300.000 - 6400.000	OVER 6300.000 TO 6400.000
.XX ± 6.70	± 3.350	6400.000 - 6500.000	OVER 6400.000 TO 6500.000
.XX ± 6.80	± 3.400	6500.000 - 6600.000	OVER 6500.000 TO 6600.000
.XX ± 6.90	± 3.450	6600.000 - 6700.000	OVER 6600.000 TO 6700.000
.XX ± 7.00	± 3.500	6700.000 - 6800.000	OVER 6700.000 TO 6800.000
.XX ± 7.10	± 3.550	6800.000 - 6900.000	OVER 6800.000 TO 6900.000
.XX ± 7.20	± 3.600	6900.000 - 7000.000	OVER 6900.000 TO 7000.000
.XX ± 7.30	± 3.650	7000.000 - 7100.000	OVER 7000.000 TO 7100.000
.XX ± 7.40	± 3.700	7100.000 - 7200.000	OVER 7100.000 TO 7200.000
.XX ± 7.50	± 3.750	7200.000 - 7300.000	OVER 7200.000 TO 7300.000
.XX ± 7.60	± 3.800	7300.000 - 7400.000	OVER 7300.000 TO 7400.000
.XX ± 7.70	± 3.850	7400.000 - 7500.000	OVER 7400.000 TO 7500.000
.XX ± 7.80	± 3.900	7500.000 - 7600.000	OVER 7500.000 TO 7600.000
.XX ± 7.90	± 3.950	7600.000 - 7700.000	OVER 7600.000 TO 7700.000
.XX ± 8.00	± 4.000	7700.000 - 7800.000	OVER 7700.000 TO 7800.000
.XX ± 8.10	± 4.050	7800.000 - 7900.000	OVER 7800.000 TO 7900.000
.XX ± 8.20	± 4.100	7900.000 - 8000.000	OVER 7900.000 TO 8000.000
.XX ± 8.30	± 4.150	8000.000 - 8100.000	OVER 8000.000 TO 8100.000
.XX ± 8.40	± 4.200	8100.000 - 8200.000	OVER 8100.000 TO 8200.000
.XX ± 8.50	± 4.250	8200.000 - 8300.000	OVER 8200.000 TO 8300.000
.XX ± 8.60	± 4.300	8300.000 - 8400.000	OVER 8300.000 TO 8400.000
.XX ± 8.70	± 4.350	8400.000 - 8500.000	OVER 8400.000 TO 8500.000
.XX ± 8.80	± 4.400	8500.000 - 8600.000	OVER 8500.000 TO 8600.000
.XX ± 8.90	± 4.450	8600.000 - 8700.000	OVER 8600.000 TO 8700.000
.XX ± 9.00	± 4.500	8700.000 - 8800.000	OVER 8700.000 TO 8800.000
.XX ± 9.10	± 4.550	8800.000 - 8900.000	OVER 8800.000 TO 8900.000
.XX ± 9.20	± 4.600	8900.000 - 9000.000	OVER 8900.000 TO 9000.000
.XX ± 9.30	± 4.650	9000.000 - 9100.000	OVER 9000.000 TO 9100.000
.XX ± 9.40	± 4.700	9100.000 - 9200.000	OVER 9100.000 TO 9200.000
.XX ± 9.50	± 4.750	9200.000 - 9300.000	OVER 9200.000 TO 9300.000
.XX ± 9.60	± 4.800	9300.000 - 9400.000	OVER 9300.000 TO 9400.000
.XX ± 9.70	± 4.850	9400.000 - 9500.000	OVER 9400.000 TO 9500.000
.XX ± 9.80	± 4.900	9500.000 - 9600.000	OVER 9500.000 TO 9600.000
.XX ± 9.90	± 4.950	9600.000 - 9700.000	OVER 9600.000 TO 9700.000
.XX ± 10.00	± 5.000	9700.000 - 9800.000	OVER 9700.000 TO 9800.000
.XX ± 10.10	± 5.050	9800.000 - 9900.000	OVER 9800.000 TO 9900.000
.XX ± 10.20	± 5.100	9900.000 - 10000.000	OVER 9900.000 TO 10000.000
.XX ± 10.30	± 5.150	10000.000 - 10100.000	OVER 10000.000 TO 10100.000
.XX ± 10.40	± 5.200	10100.000 - 10200.000	OVER 10100.000 TO 10200.000
.XX ± 10.50	± 5.250	10200.000 - 10300.000	OVER 10200.000 TO 10300.000
.XX ± 10.60	± 5.300	10300.000 - 10400.000	OVER 10300.000 TO 10400.000
.XX ± 10.70	± 5.350	10400.000 - 10500.000	OVER 10400.000 TO 10500.000
.XX ± 10.80	± 5.400	10500.000 - 10600.000	OVER 10500.000 TO 10600.000
.XX ± 10.90	± 5.450	10600.000 - 10700.000	OVER 10600.000 TO 10700.000
.XX ± 11.00	± 5.500	10700.000 - 10800.000	OVER 10700.000 TO 10800.000
.XX ± 11.10	± 5.550	10800.000 - 10900.000	OVER 10800.000 TO 10900.000
.XX ± 11.20	± 5.600	10900.000 - 11000.000	OVER 10900.000 TO 11000.000
.XX ± 11.30	± 5.650	11000.000 - 11100.000	OVER 11000.000 TO 11100.000
.XX ± 11.40	± 5.700	11100.000 - 11200.000	OVER 11100.000 TO 11200.000
.XX ± 11.50	± 5.750	11200.000 - 11300.000	OVER 11200.000 TO 11300.000
.XX ± 11.60	± 5.800	11300.000 - 11400.000	OVER 11300.000 TO 11400.000
.XX ± 11.70	± 5.850	11400.000 - 11500.000	OVER 11400.000 TO 11500.000
.XX ± 11.80	± 5.900	11500.000 - 11600.000	OVER 11500.000 TO 11600.000

THIS DRAWING AND SPECIFICATIONS HEREIN ARE THE PROPERTY OF DIGITAL EQUIPMENT CORPORATION AND SHALL NOT BE REPRODUCED OR COPIED OR USED IN WHOLE OR IN PART AS THE BASIS FOR THE MANUFACTURE OR SALE OF ITEMS WITHOUT WRITTEN PERMISSION. COPYRIGHT © 1965 DIGITAL EQUIPMENT CORPORATION



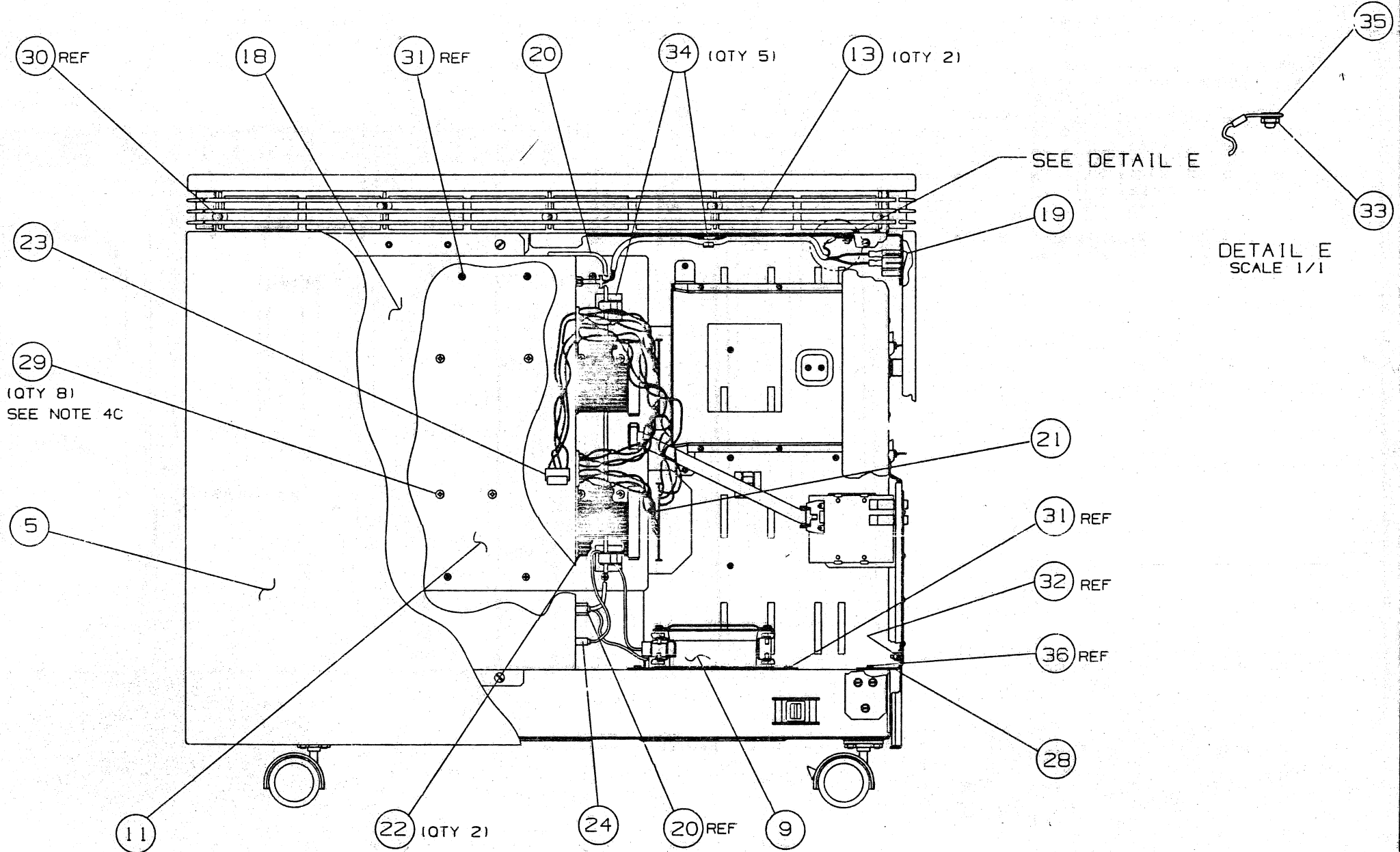
REVISIONS		
CHK	CHANGE NO	REV
	RELEASE	B

TITLE	BA123-A BASIC ENCLOSURE	SIZE/SCALE	D AD 1/2	NUMBER	7022380-0-DBU	REV	B
		SHEET	2				
		OF	3				



THIS DRAWING AND SPECIFICATIONS, HEREIN, ARE THE PROPERTY OF DIGITAL EQUIPMENT CORPORATION AND SHALL NOT BE REPRODUCED OR COPIED OR USED IN WHOLE OR IN PART AS THE BASIS FOR THE MANUFACTURE OR SALE OF ITEMS WITHOUT WRITTEN PERMISSION. COPYRIGHT © 1985 DIGITAL EQUIPMENT CORPORATION

7022380-0-DBU 2



DETAIL E  
SCALE 1/1

VIEW C-C

REVISIONS		
CHK	CHANGE NO	REV.
RELEASE		B

TITLE	BA123-A BASIC ENCLOSURE	SIZE/CD	D/AD	NUMBER	7022380-0-DBU	REV	B
SCALE	1/2	SHEET	3	OF	3	DIST	

LINE	ITEM	TOP DOCUMENT	PART NUMBER	MIN REV DESCRIPTION	QTY PER VARIATION	
					01	02
					A1	A1
1	1	D-AD-7021991-0-DBU	7021991-01	FRAME ASSEMBLY	1	1
2	2	C-AD-7021996-0-DBU	7021996-01	CONTROL PANEL ASSY.	1	1
3	3	D-AD-7021997-0-DBU	7021997-01	PANEL COVER FRONT DISK ASSY	1	1
4	4	D-AD-7021999-0-DBU	7021999-01	TOP COVER ASSY.	1	1
5	5	D-AD-7022000-0-DBU	7022000-01	SIDE PANEL ASSY L/H	1	1
6	6	D-AD-7022001-0-DBU	7022001-01	SIDE PANEL ASSY R/H	1	1
7	7	D-AD-7022003-0-DBU	7022003-01	FAN MOUNT CARD CAGE ASSY.	1	1
8	8	D-IA-7022006-0-DBU	7022006-01	COVER FRONT CARD CAGE ASSY.	1	1
9	9	D-AD-7022296-0-DBU	7022296-01	FAN MOUNT MASS STORAGE ASSY	1	1
10	10	D-AD-7022339-0-DBU	7022339-01	DOOR, REAR ASSY.	1	1
11	11	D-IA-7430692-0-DBU	7430692-01	COVER, REAR, CARD CAGE	1	1
12	12	D-MD-7430709-0-DBU	7430709-01	LOUVRE, SHORT	2	2
13	13	D-MD-7430710-0-DBU	7430710-01	LOUVRE, LONG	2	2
14	14	C-IA-7427574-0-0	7427574-01	PLATE, COVER	6	6
15	15	B-MD-7428683-0-DBU	7428683-01	PLATE, CONNECTOR BLANK	4	4
16	16	E-UA-5417507-0-DBU	5417507-01	QBUS BACKPLANE, 13 SLOTS, QUAD	1	1
17	17	D-UA-5416665-0-DBU	5416665-01	REMOTE SENSE OF TEMPERATURE FOR	1	1
18	18	D-PS-3023616-0-DBU	3023616-01	P.S. 460W 2DC REGULATOR BDS, FAN	1	1
19	19	A-PS-1700859-0-0	1700859-01	CABLE ASSY, AC, ON/OFF POWER	1	1
20	20	A-PS-1700863-0-0	1700863-01	CABLE ASSY, FAN	1	1
21	21	A-PS-1700870-0-0	1700870-01	CABLE ASSY, DC POWER DRIVE	1	1
22	22	A-PS-1700865-0-0	1700865-01	CABLE ASSY, 18COND	2	2
23	23	A-PS-1700911-0-0	1700911-01	CABLE ASSY, 9POS POWER DRIVE	1	1
24	24	A-PS-1700864-0-0	1700864-01	CABLE ASSY, FAN	1	1
25	25	A-PA-3700821-0-0	3700821-01	PKG COMPUTER, BA123 CUSTOMER	1	1
26	26	A-PS-3624253-0-0	3624253-01	LABEL, I/O, BULKHEAD	1	1
27	27	A-PS-3624254-0-0	3624254-01	LABEL, MU BUSINESS COMPUTER	1	1
28	28	C-MD-7431225-0-DBU	7431225-01	BRACKET, CONTROL PANEL	1	1
29	29		9010174-01	SCREW, SEMS PAN PHIL	8-	8 8
30	30		9000055-01	SCREW, THD RL, PAN POZI F/METL	4	18 18

REVISION HISTORY			BASIC PART NO: 7022380			D I G I T A L		
ENG	ECO NUMBER	REV	SECTION A OF A	DRN:	S. STEFANICK	DATE:	18-DEC-84	
	INITIAL	B	SECTION VARIATION INDEX [A]01,02	CHK'D:	J. KUSHAGIN	DATE:	13-FEB-85	TITLE BA123-A BASIC ENCLOSURE
			[B]	DES. ENG:	J. KWONG	DATE:	18-DEC-84	DOCUMENT NUMBER
			[C]	RESP. ENG.:	J. KWONG	DATE:	18-DEC-84	SIZE   CODE   NUMBER   REV
			[D]					K   PL   7022380-0-DBP   B
			[E]	MFG. ENG.:	J. EDWARDS	DATE:	18-DEC-84	RELEASE DATE: 06-MAR-85
			[F]	ASSEMBLY NUMBER:	B-DD-7022380-0-DBU	TOP DOCUMENT NUMBER:	B-DD-7022380-0-DBU	FILE NAME: ML752B.PLS
								EDIT # 23

"THIS DRAWING AND THE SPECIFICATIONS CONTAINED HEREIN ARE CONFIDENTIAL AND PROPRIETARY. THEY ARE THE PROPERTY OF DIGITAL EQUIPMENT CORPORATION AND SHALL NOT BE REPRODUCED OR COPIED OR USED IN WHOLE OR IN PART AS THE BASIS FOR THE MANUFACTURE OR SALE OF ITEMS WITHOUT WRITTEN PERMISSION. THIS IS AN UNPUBLISHED WORK PROTECTED UNDER THE FEDERAL COPYRIGHT LAWS."

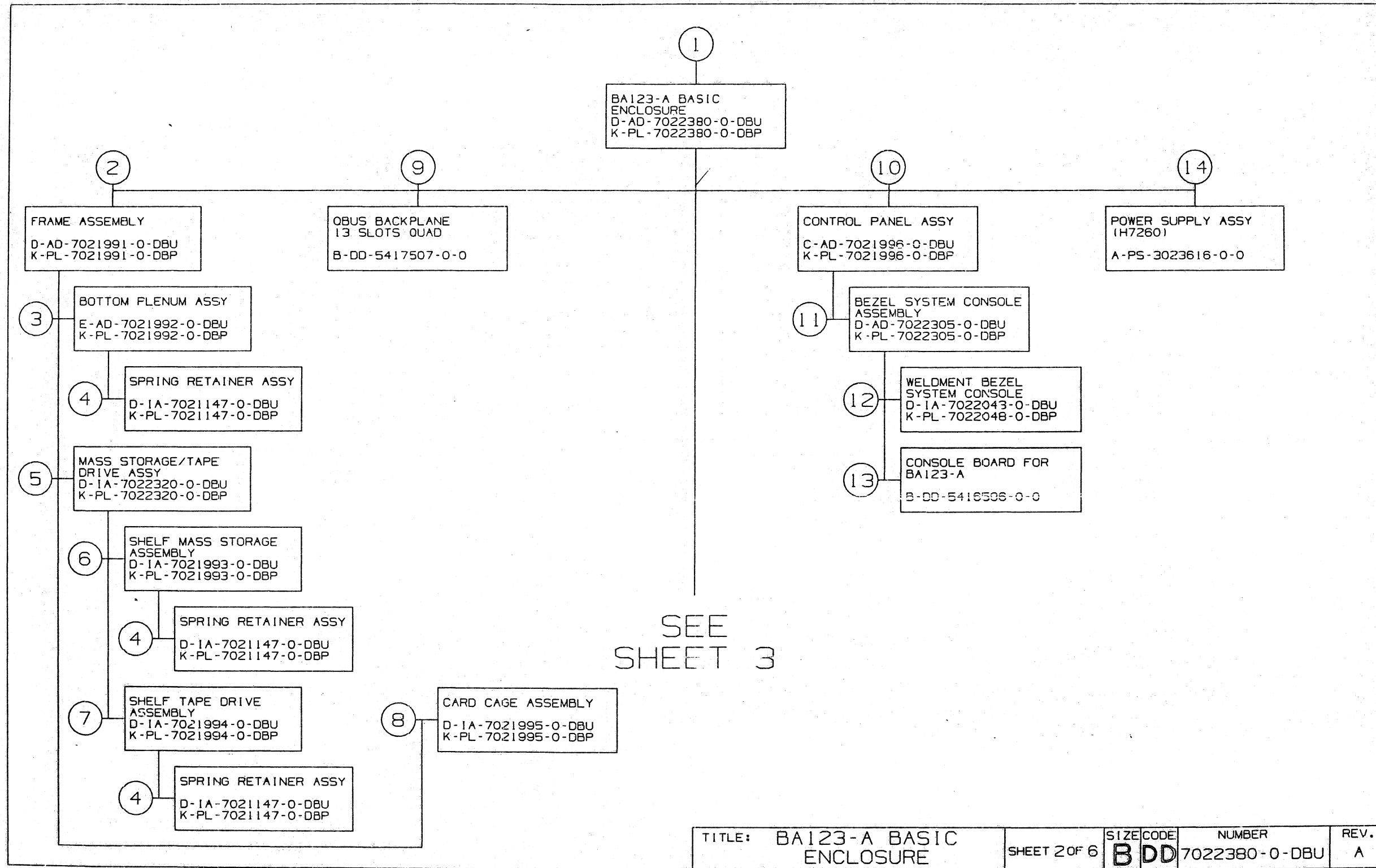
PARTS LIST

LINE	ITEM	TOP DOCUMENT	PART NUMBER	MIN REV	DESCRIPTION	QTY PER VARIATION	
						01	02
						A1	A1
31	31		9009701-00		SCREW,SEMS PAN PHIL 6-	48	48
32	32		9006560-00		NUT,HEX EXT TOOTH LCKWSHR 6-32	4	4
33	33		9007651-00		WASHER,LOCK EXTERNAL STEEL	1	1
34	34		9010016-00		CLAMP,CABLE, ADH BACK	5	5
35	35		9006565-00		NUT,HEX EXT TOOTH LCKWSHR 10-32	1	1
36	36		9010075-03		SCREW,TAP HEXWW THD RL 6-	4	4
37	37		9907588-01		ENVELOPE,CLEAR ADH BACK	1	1
38	38	D-AR-7022380-0-DBU			BA123-A SYSTEM ARRANGEMENT	REF	REF
39	39	K-SP-BA123-A-DBF			ENG. SPEC BA123-A	REF	REF
40	40		1700083-00		PWR CORD,TERM 3-14 SJT 125	1	-
41	41		3615087-04		LABEL,"DANGER-HIGH CURRENT"	1	1
42	42		3617905-16		LABEL,WARNING EQUIP. RATING,100-	1	-
43	43		3617905-17		LABEL,WARNING EQUIP. RATING,220-	-	1
44	44	A-PS-3624471-0-0	3624471-01		LABEL,BUSINESS COMP BA123-A2	1	-
45	45	A-PS-3624471-0-0	3624471-02		LABEL,BUSINESS COMP BA123-A3	-	1

46 NOTE: ITEMS #25 AND #40 NOT SHOWN ON FIELD OF DWG.

D	I	G	I	T	A	L	TITLE	SECTION A OF A	SIZE	CODE	DOCUMENT NUMBER	REV
							BA123-A BASIC ENCLOSURE		K	PL	7022380-0-DBP	B

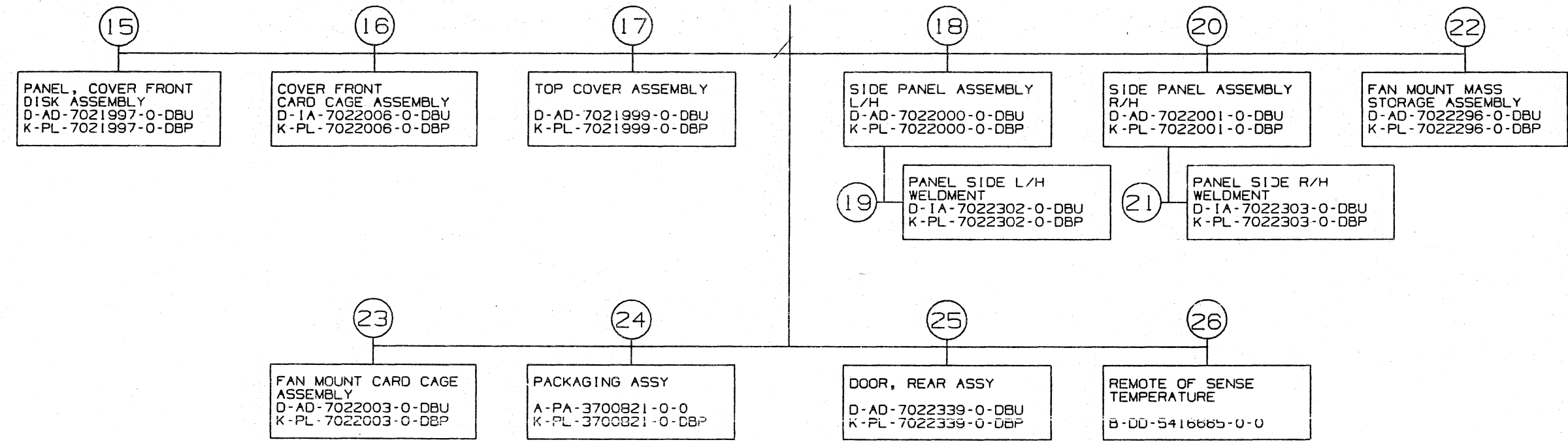




TITLE: BAI23-A BASIC ENCLOSURE	SHEET 2 OF 6	SIZE CODE <b>B DD</b>	NUMBER 7022380-0-DBU	REV. A
--------------------------------	--------------	--------------------------	-------------------------	-----------

MLO1

CONT FROM SHEET 2



TITLE: BAI23-A BASIC ENCLOSURE	SHEET 3 OF 6	SIZE CODE B DD	NUMBER 7022380-0-DBU	REV. A
--------------------------------	--------------	----------------	----------------------	--------

MLO 1





FIND NO.	DRAWING NO.	DESCRIPTION	TYPE	FIND NO.	DRAWING NO.	DESCRIPTION	TYPE
					A-SS-7022048-0-1	SILK SCREEN	M
7	D-1A-7021994-0-DBU	SHELF TAPE DRIVE ASSEMBLY	M	13	B-DD-5416596-0-0	CONSOLE BOARD FOR BA123-A	E/M
	K-PL-7021994-0-DBP	SHELF TAPE DRIVE ASSEMBLY (PL)	M				
	D-MD-7430746-0-DBU	SHELF TAPE DRIVE	M				
	D-MD-7427554-0-DBU	HALF SLIDE	M				
8	D-1A-7021995-0-DBU	CARD CAGE ASSEMBLY	M	14	A-PS-3023616-0-0	POWER SUPPLY ASSEMBLY (H7260)	E/M
	K-PL-7021995-0-DBP	CARD CAGE ASSEMBLY (PL)	M				
	E-1A-7430690-0-DBU	FRAME CARD CAGE	M	15	D-AD-7021997-0-DBU	PANEL COVER FRONT DISK ASSY	M
	K-PL-7430690-0-DBP	FRAME CARD CAGE (PL)	M		K-PL-7021997-0-DBP	PANEL COVER FRONT DISK ASSY (PL)	M
	D-MD-7429632-0-DBU	CARD GUIDE 12 SLOT	M		E-MD-7430704-0-DBU	PANEL, FRONT	M
	D-1A-7430693-0-DBU	BAFFLE, FCC	M		C-MD-7431191-0-DBU	BRACKET, STUD	M
	K-PL-7430693-0-DBP	BAFFLE, FCC (PL)	M		E-MD-7430708-0-DBU	DOOR, FRONT	M
					C-MD-7431178-0-DBU	BRACKET, DOOR HINGE	M
					D-MD-7431477-0-DBU	PANEL, FILLER	M
9	B-DD-5417507-0-0	OBUS BACKPLANE 13 SLOTS QUAD	E/M				
10	C-AD-7021996-0-DBU	CONTROL PANEL ASSEMBLY	M	16	D-1A-7022006-0-DBU	CARD CAGE FRONT COVER ASSY	M
	K-PL-7021996-0-DBP	CONTROL PANEL ASSEMBLY (PL)	M		K-PL-7022006-0-DBP	CARD CAGE FRONT COVER ASSY (PL)	M
	E-1A-7430705-0-DBU	PANEL CONTROL	M		E-1A-7430691-0-DBU	COVER FRONT CARD CAGE	M
	K-PL-7420705-0-DBP	PANEL CONTROL (PL)	M		K-PL-7430691-0-DBP	COVER FRONT CARD CAGE (PL)	M
	C-MD-7431171-0-DBU	BEZEL, BLANK	M		D-MD-7430828-0-DBU	SUPPORT MODULES	M
					D-MD-7431479-0-DBU	SUPPORT, MODULE REMOVEABLE	M
11	C-AD-7022305-0-DBU	BEZEL, SYSTEM CONSOLE ASSY	E/M	17	D-AD-7021999-0-DBU	TOP COVER ASSEMBLY	M
	K-PL-7022305-0-DBP	BEZEL, SYSTEM CONSOLE ASSY (PL)	E/M		K-PL-7021999-0-DBP	TOP COVER ASSEMBLY (PL)	M
	A-PS-1700860-0-0	CABLE ASSY, CONSOLE BACKPLANE	E/M		D-1A-7430707-0-DBU	COVER, TOP	M
					K-PL-7420707-0-DBP	COVER, TOP (PL)	M
					C-MD-7423357-0-DBU	KEY BUTTON	M
					D-1A-7431045-0-DBU	BRACKET, COVER	M
					K-PL-7431045-0-DBP	BRACKET, COVER (PL)	M
12	D-1A-7022048-0-DBU	WELDMENT, BEZEL SYS CONSOLE	M	18	D-AD-7022000-0-DBU	SIDE PANEL ASSEMBLY L/H	M
	K-PL-7022048-0-DBP	WELDMENT, BEZEL SYS CONSOLE (PL)	M		K-PL-7022000-0-DBP	SIDE PANEL ASSEMBLY L/H (PL)	M
	D-MD-7431169-0-DBU	BRACKET, SUPPORT SYSTEM CONSOLE	M				
	D-MD-7431173-0-DBU	BEZEL, SYSTEM CONSOLE	M				

TYPE: E ELECTRICAL  
M MECHANICAL  
E/M ELECTRO/MECHANICAL

digital

TITLE: BA123-A BASIC  
ENCLOSURE

SHEET 5 OF 6

SIZE CODE  
BDD

NUMBER  
7022380-0-DBU

REV.  
A

DRB 108A

MLO1

FIND NO.	DRAWING NO.	DESCRIPTION	TYPE	FIND NO.	DRAWING NO.	DESCRIPTION	TYPE
				25	D-AD-7022339-0-DBU	DOOR, REAR ASSY	M
					K-PL-7022339-0-DBP	DOOR, REAR ASSY (PL)	M
					E-1A-7431043-0-DBU	DOOR, REAR	M
					K-PL-7431043-0-DBP	DOOR, REAR (PL)	M
19	D-1A-7022302-0-DBU	PANEL, SIDE L/H WELDMENT	M		E-1A-7430703-0-DBU	PANEL, REAR	M
	K-PL-7022302-0-DBP	PANEL, SIDE L/H WELDMENT (PL)	M		K-PL-7430703-0-DBP	PANEL, REAR (PL)	M
	E-MD-7431042-0-DBU	PANEL, LEFT	M		D-MD-7431188-0-DBU	HINGE, REAR DOOR LINING	M
	B-MD-7431190-0-DBU	BRACKET STUD SIDE PANEL	M				
				26	B-DD-5416665-0-0	REMOTE OF SENSE TEMPERATURE	E/M
20	D-AD-7022001-0-DBU	SIDE PANEL ASSEMBLY R/H	M				
	K-PL-7022001-0-DBP	SIDE PANEL ASSEMBLY R/H (PL)	M				
21	D-1A-7022303-0-DBU	PANEL, SIDE R/H WELDMENT	M				
	K-PL-7022303-0-DBP	PANEL, SIDE R/H WELDMENT (PL)	M				
	D-MD-7430702-0-DBU	PANEL SIDE	M				
	B-MD-7431190-0-0	BRACKET, STUD SIDE PANEL	M				
22	D-AD-7022296-0-DBU	FAN MOUNT MASS STORAGE ASSY	M				
	K-PL-7022296-0-DBP	FAN MOUNT MASS STORAGE ASSY (PL)	M				
	D-MD-7430711-0-DBU	BRACKET, FAN MOUNT MASS STORAGE	M				
23	D-AD-7022003-0-DBU	FAN MOUNT CARD CAGE ASSY	M				
	K-PL-7022003-0-DBP	FAN MOUNT CARD CAGE ASSY (PL)	M				
	D-MD-7430694-0-DBU	BRACKET, FAN MOUNT CARD CAGE	M				
24	A-PA-3700821-0-0	PACKAGING ASSY	M				
	K-PL-3700821-0-DBP	PACKAGING ASSY (PL)	M				

TYPE: E ELECTRICAL  
M MECHANICAL  
E/M ELECTRO/MECHANICAL

digital

TITLE: BA123-A BASIC ENCLOSURE

SHEET 6 OF 6

SIZE CODE BDD

NUMBER 7022380-0-DBU

REV. A

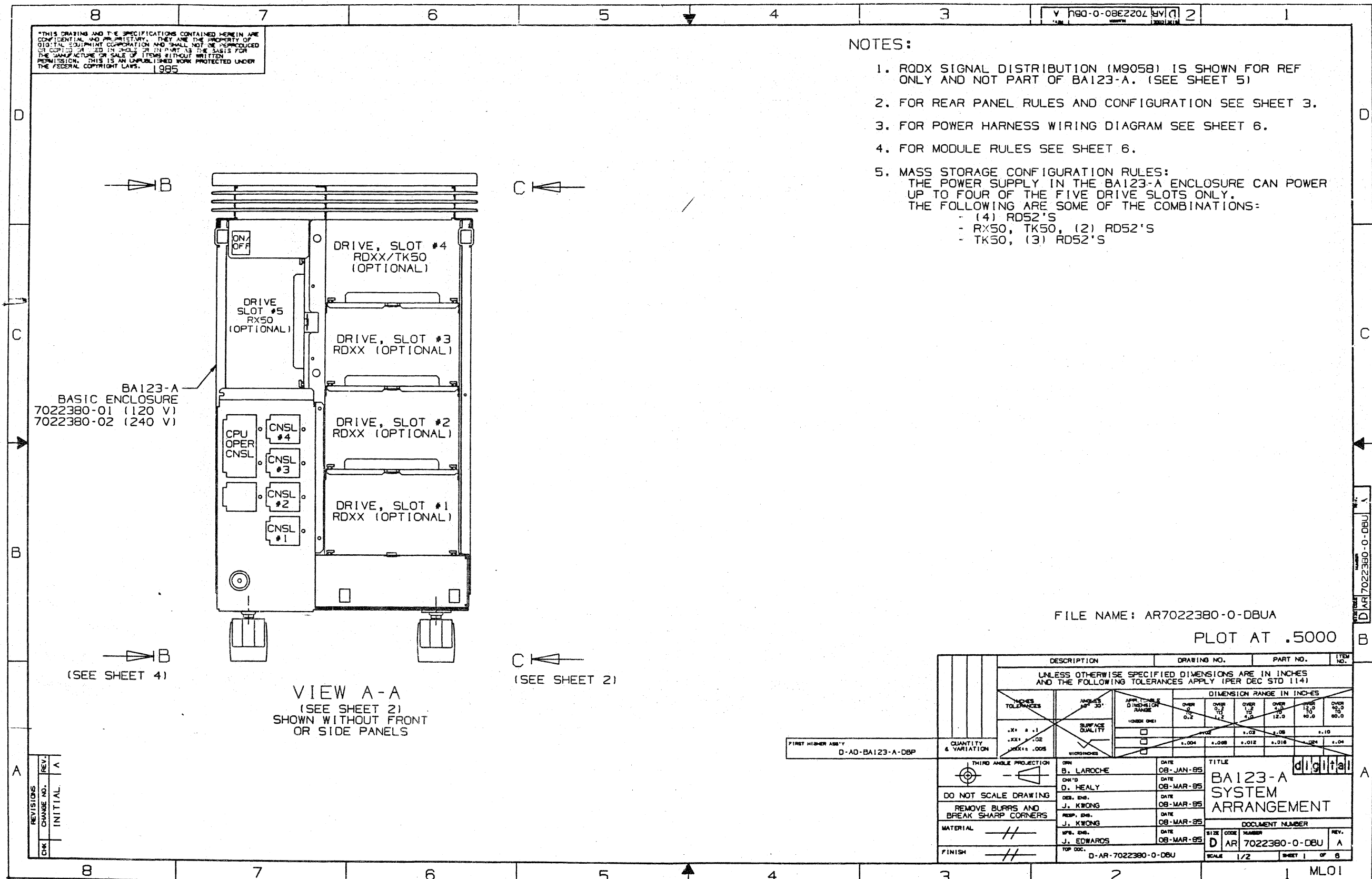
DRB 108A

MLO1

THIS DRAWING AND THE SPECIFICATIONS CONTAINED HEREIN ARE CONFIDENTIAL AND PROPRIETARY. THEY ARE THE PROPERTY OF DIGITAL EQUIPMENT CORPORATION AND SHALL NOT BE REPRODUCED OR COPIED IN WHOLE OR IN PART AS THE BASIS FOR THE MANUFACTURE OR SALE OF ITEMS WITHOUT WRITTEN PERMISSION. THIS IS AN UNPUBLISHED WORK PROTECTED UNDER THE FEDERAL COPYRIGHT LAWS. 1985

NOTES:

1. RDX SIGNAL DISTRIBUTION (M9058) IS SHOWN FOR REF ONLY AND NOT PART OF BA123-A. (SEE SHEET 5)
2. FOR REAR PANEL RULES AND CONFIGURATION SEE SHEET 3.
3. FOR POWER HARNESS WIRING DIAGRAM SEE SHEET 6.
4. FOR MODULE RULES SEE SHEET 6.
5. MASS STORAGE CONFIGURATION RULES:  
THE POWER SUPPLY IN THE BA123-A ENCLOSURE CAN POWER UP TO FOUR OF THE FIVE DRIVE SLOTS.  
THE FOLLOWING ARE SOME OF THE COMBINATIONS:  
- (4) RD52'S  
- RX50, TK50, (2) RD52'S  
- TK50, (3) RD52'S



BA123-A  
BASIC ENCLOSURE  
7022380-01 (120 V)  
7022380-02 (240 V)

VIEW A-A  
(SEE SHEET 2)  
SHOWN WITHOUT FRONT  
OR SIDE PANELS

FILE NAME: AR7022380-0-DBUA  
PLOT AT .5000

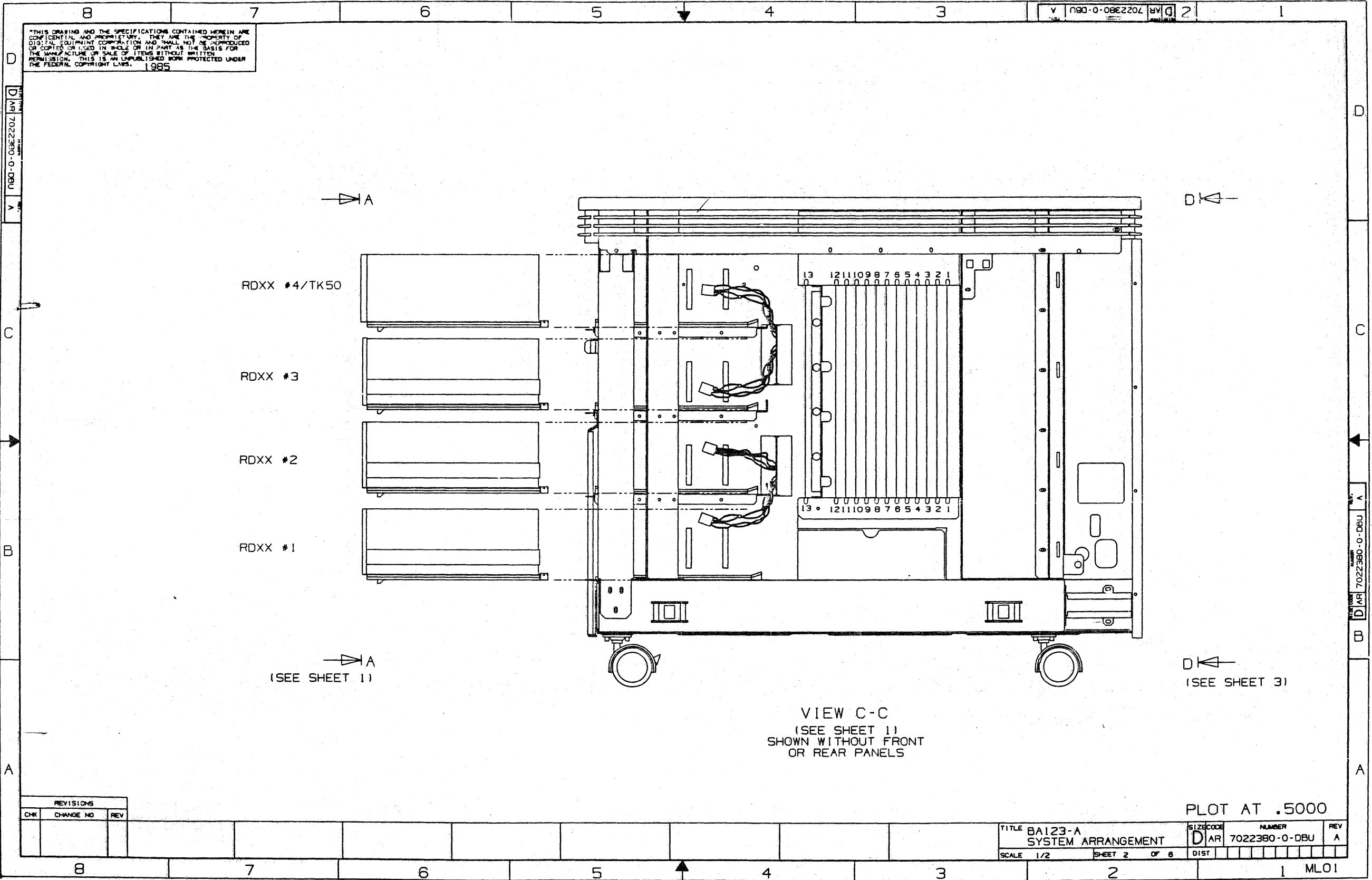
DESCRIPTION	DRAWING NO.	PART NO.	ITEM NO.
UNLESS OTHERWISE SPECIFIED DIMENSIONS ARE IN INCHES AND THE FOLLOWING TOLERANCES APPLY (PER DEC STD 114)			
INCHES TOLERANCES	ANGLES APPROX 30°	APPLICABLE DIMENSION RANGE	
		DIMENSION RANGE IN INCHES	
SURFACE QUALITY	MICROINCHES	OVER 12.0	OVER 12.0
		OVER 12.0	OVER 12.0
QUANTITY & VARIATION	FINISH	SCALE	SHEET 1 OF 8
THIRD ANGLE PROJECTION	DATE	TITLE	DOCUMENT NUMBER
DO NOT SCALE DRAWING	DATE	BA123-A SYSTEM ARRANGEMENT	D AR 7022380-0-DBU
REMOVE BURRS AND BREAK SHARP CORNERS	DATE		
MATERIAL	DATE		
FINISH	DATE		

REV.	CHANGE NO.	INITIAL
A		

D AR 7022380-0-DBU

MLO1

\*THIS DRAWING AND THE SPECIFICATIONS CONTAINED HEREIN ARE CONFIDENTIAL AND PROPRIETARY. THEY ARE THE PROPERTY OF DIGITAL EQUIPMENT CORPORATION AND SHALL NOT BE REPRODUCED OR COPIED OR USED IN WHOLE OR IN PART AS THE BASIS FOR THE MANUFACTURE OR SALE OF ITEMS WITHOUT WRITTEN PERMISSION. THIS IS AN UNPUBLISHED WORK PROTECTED UNDER THE FEDERAL COPYRIGHT LAWS. 1985



RDXX #4/TK50

RDXX #3

RDXX #2

RDXX #1

VIEW C-C  
(SEE SHEET 1)  
SHOWN WITHOUT FRONT  
OR REAR PANELS

(SEE SHEET 1)

(SEE SHEET 3)

REVISIONS		
CHK	CHANGE NO	REV

TITLE BA123-A  
SYSTEM ARRANGEMENT  
SCALE 1/2 SHEET 2 OF 8

PLOT AT .5000

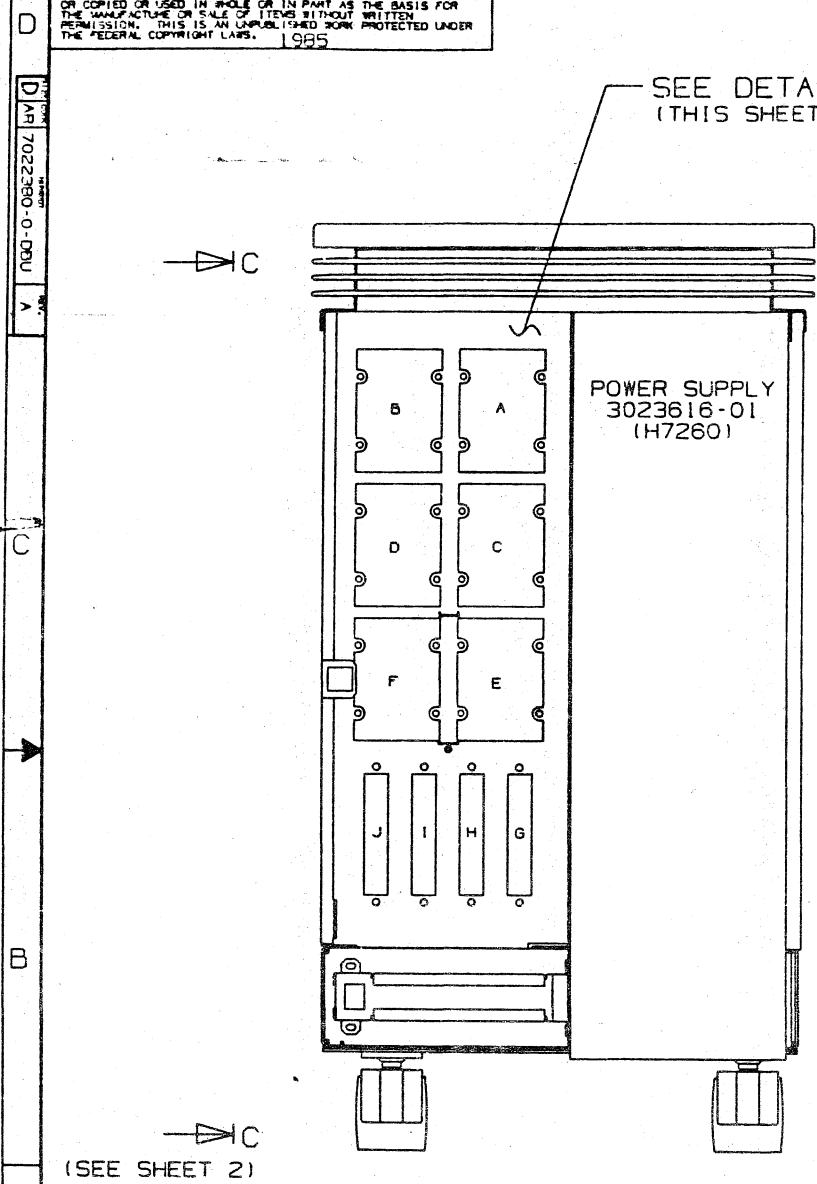
SIZE CODE NUMBER REV  
D AR 7022380-0-DBU A

1 MLO1

"THIS DRAWING AND THE SPECIFICATIONS CONTAINED HEREIN ARE CONFIDENTIAL AND PROPRIETARY. THEY ARE THE PROPERTY OF DIGITAL EQUIPMENT CORPORATION AND SHALL NOT BE REPRODUCED OR COPIED OR USED IN WHOLE OR IN PART AS THE BASIS FOR THE MANUFACTURE OR SALE OF ITEMS WITHOUT WRITTEN PERMISSION. THIS IS AN UNPUBLISHED WORK PROTECTED UNDER THE FEDERAL COPYRIGHT LAWS. 1985

DRAWING NUMBER  
7022380-0-DBU

8      7      6      5      4      3      2      1

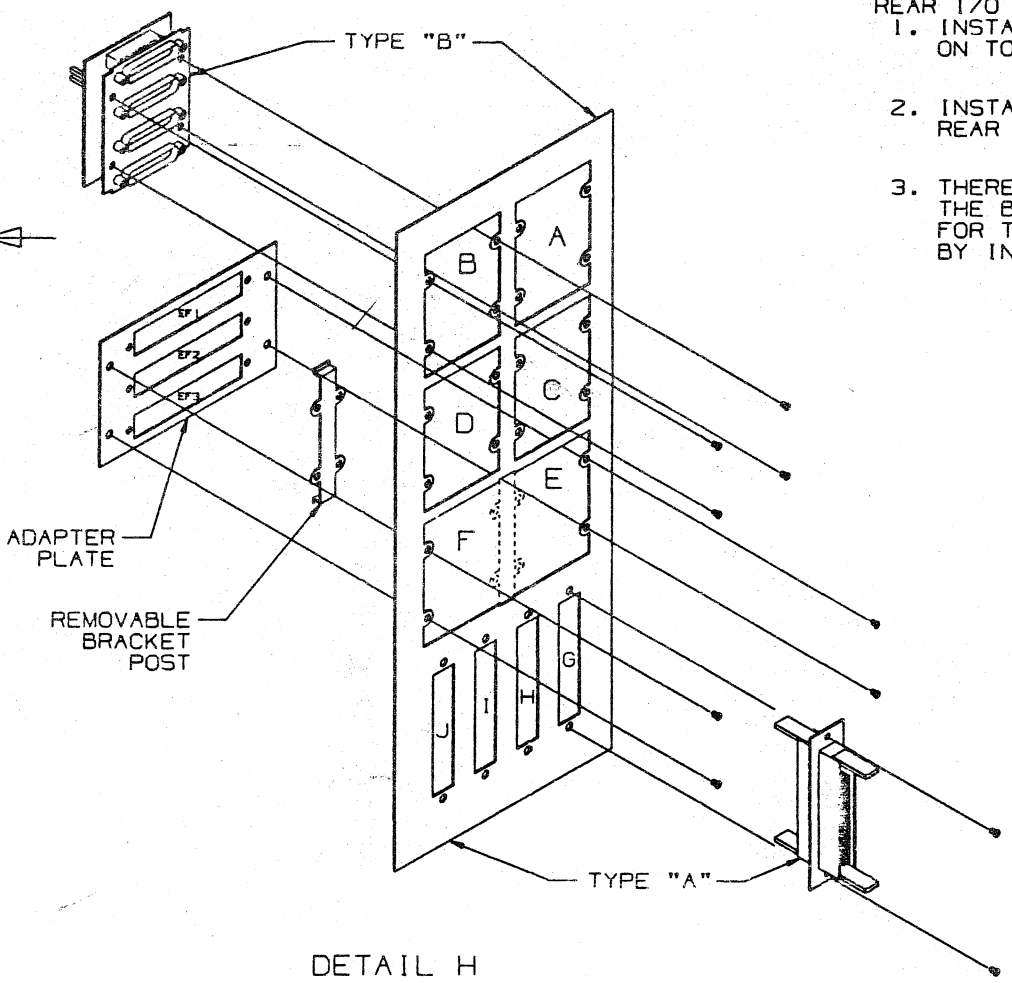


SEE DETAIL H  
(THIS SHEET)

VIEW D-D  
(SEE SHEET 2)  
SHOWN WITHOUT REAR  
OR SIDE PANELS

(SEE SHEET 2)

(SEE SHEET 4)



DETAIL H  
SEE NOTES THIS SHEET  
FOR REAR I/O PANEL  
RULES

NOTES:

- REAR I/O PANEL CONNECTION RULES:
1. INSTALL TYPE "B" (2.5" X 3.2") FILTER PANEL ON TO THE REAR I/O PANEL IN THIS SEQUENCE:  
A → C → E → B → D → F
  2. INSTALL TYPE "A" (1 X 4) FILTER PANEL ON TO REAR I/O PANEL IN THIS SEQUENCE:  
G → H → I → J
  3. THERE IS A REMOVABLE BRACKET POST BETWEEN THE BOTTOM 2 TYPE "B" CUTOUTS. THIS ALLOWS FOR THE ADDITION OF 3 MORE TYPE "A" CUTOUTS BY INSTALLING AN ADAPTER PLATE (7427720-01)

REVISIONS		
CHK	CHANGE NO	REV

PLOT AT .5000

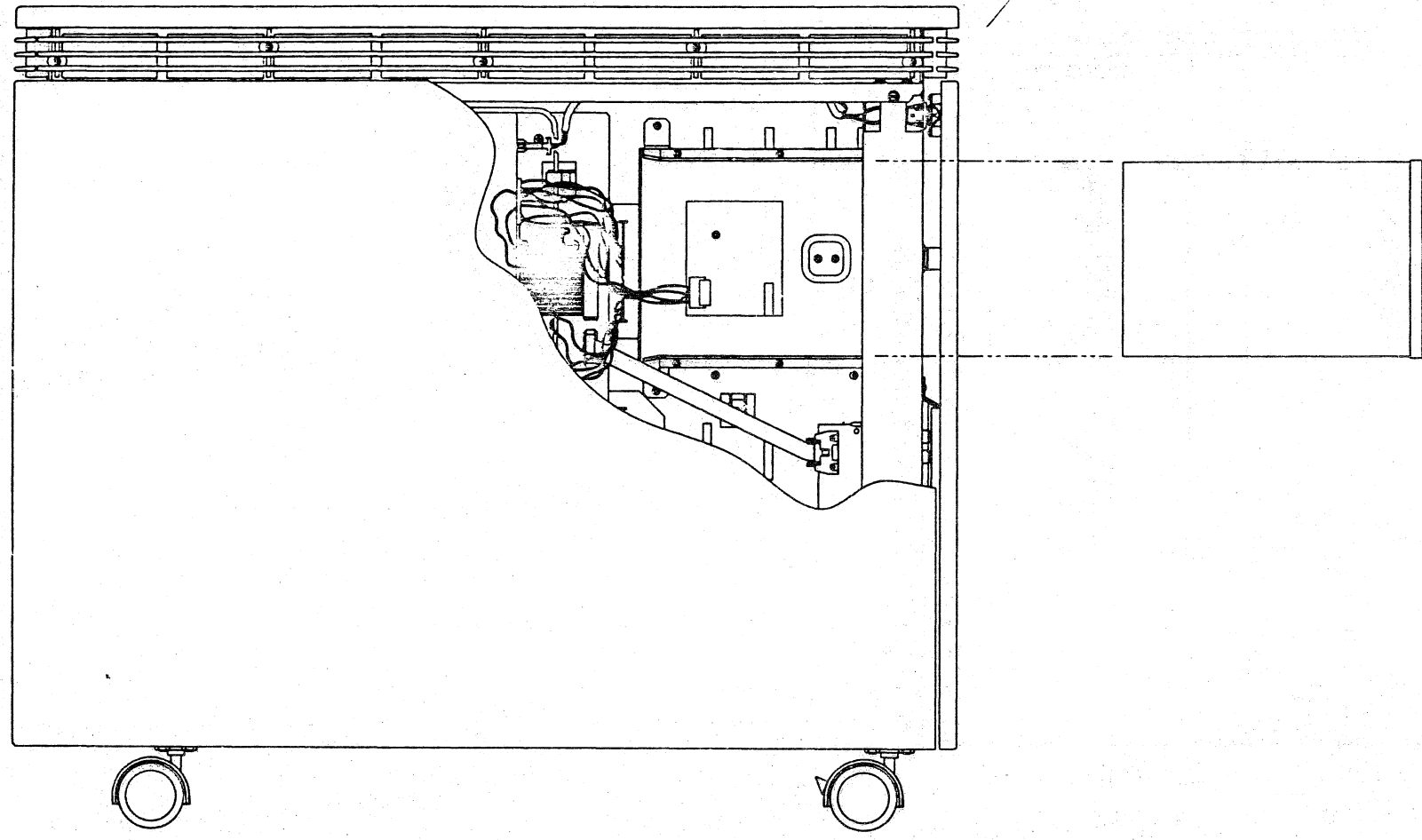
TITLE	BA123-A SYSTEM ARRANGEMENT	SIZE	D	NUMBER	7022380-0-DBU	REV	A
SCALE	1/2	SHEET	3	OF	8	DIST	

8      7      6      5      4      3      2      1      MLO1

THIS DRAWING AND THE SPECIFICATIONS CONTAINED HEREIN ARE CONFIDENTIAL AND PROPRIETARY. THEY ARE THE PROPERTY OF DIGITAL EQUIPMENT CORPORATION AND SHALL NOT BE REPRODUCED OR COPIED OR USED IN WHOLE OR IN PART AS THE BASIS FOR THE MANUFACTURE OR SALE OF ITEMS WITHOUT WRITTEN PERMISSION. THIS IS AN UNPUBLISHED WORK PROTECTED UNDER THE FEDERAL COPYRIGHT LAWS. 1985

D AR 7022380-0-DBU  
 V  
 7022380-0-DBU

D AR 7022380-0-DBU  
 V  
 7022380-0-DBU



RX50

VIEW B-B  
 (SEE SHEET 1)  
 (TK50 INSTALLATION)

REVISIONS		
CHK	CHANGE NO	REV

PLOT AT .5000

TITLE	BA123-A SYSTEM ARRANGEMENT	SIZE CODE	D AR	NUMBER	7022380-0-DBU	REV	A
SCALE	1/2	SHEET	4	OF	8	DIST	

MLO1

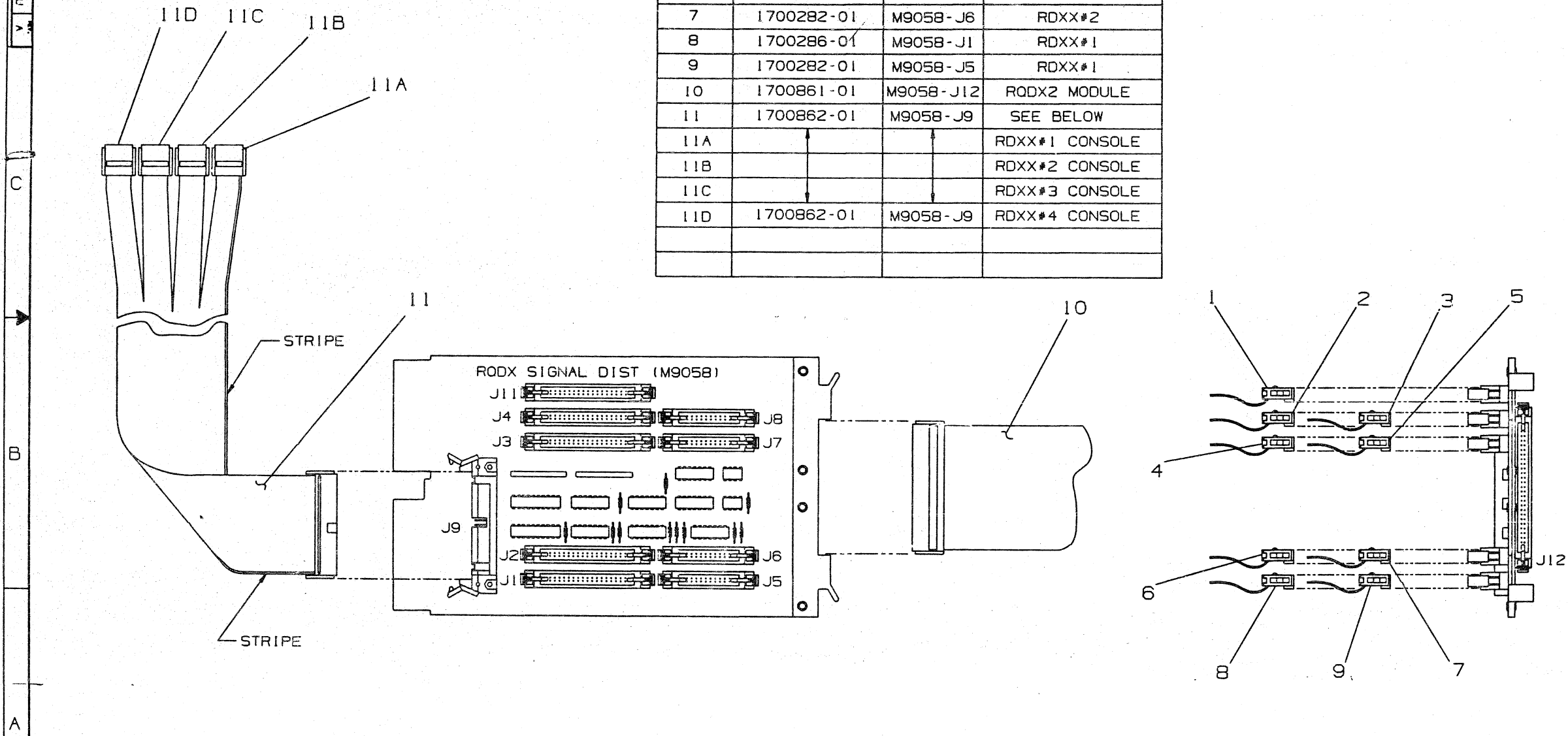


THIS DRAWING AND THE SPECIFICATIONS CONTAINED HEREIN ARE CONFIDENTIAL AND PROPRIETARY. THEY ARE THE PROPERTY OF DIGITAL EQUIPMENT CORPORATION AND SHALL NOT BE REPRODUCED OR COPIED OR USED IN WHOLE OR IN PART AS THE BASIS FOR THE MANUFACTURE OR SALE OF ITEMS WITHOUT WRITTEN PERMISSION. THIS IS AN UNPUBLISHED WORK PROTECTED UNDER THE FEDERAL COPYRIGHT LAWS. 1985

V 1700-0-08E2202 (BY) D

CABLE LEGEND			
ITEM	PART NO.	FROM	TO
1	1700867-01	M9058-J11	RX50
2	1700286-01	M9058-J4	RDXX#4
3	1700282-01	M9058-J8	RDXX#4
4	1700286-01	M9058-J3	RDXX#3
5	1700282-01	M9058-J7	RDXX#3
6	1700286-01	M9058-J2	RDXX#2
7	1700282-01	M9058-J6	RDXX#2
8	1700286-01	M9058-J1	RDXX#1
9	1700282-01	M9058-J5	RDXX#1
10	1700861-01	M9058-J12	RQDX2 MODULE
11	1700862-01	M9058-J9	SEE BELOW
11A			RDXX#1 CONSOLE
11B			RDXX#2 CONSOLE
11C			RDXX#3 CONSOLE
11D	1700862-01	M9058-J9	RDXX#4 CONSOLE

NOTES:  
1. ITEM #S SHOWN ARE FOR REF ONLY (FOR CABLE HOOK UP ONLY).



REVISIONS		
CHK	CHANGE NO	REV

PLOT AT 1.000

TITLE BA123-A SYSTEM ARRANGEMENT  
SCALE 1/1 SHEET 5 OF 6  
SIZE CODE D AR 7022380-0-DBU DIST  
NUMBER 7022380-0-DBU  
REV A

MLO1



LINE	ITEM	TOP DOCUMENT	PART NUMBER	MIN REV	DESCRIPTION	VARIATION REVISION LEVEL:	QTY PER VARIATION	REFERENCE DESIGNATOR
1	1	D-MD-5017506-0-0	5017506-01		ETCHED BOARD		1	
2	2		1214886-05		PCB HEADER 10POS(2X 5).100CC		1	J2
3	3		1215699-07		PCB,HEADER 18POS(1X18).156CC STR		2	J1,J3
4	4		1217535-05		SKT,IC 13PIN SIP TIN SOLD		4	XZ1-XZ4
5	5		7417041-00		288 PIN CONNECTOR		6	J4-J9
6	6		9000033-12		SPACER,THREADED HEX ALUM 8-3		6	
7	7		9006120-06		SCREW, FILL POZI 8-		14	
8	8		9006035-01		SCREW,MACH PAN PHIL 8-		6	
9	9		9009246-00		SPACER,THREADED HEX ALUM 8-3		8	
10	10		7411881-01		DECAL		1	
11	11		1323505-01		R NETWORK 180/390 2.0 % 13PIN		4	Z1-Z4
12	12		7417042-00		72 PIN CONNECTOR /		2	J10-J11
13	13		3623593-01		LABEL,BLANK,PAPER,PIN FEED		1	
14	14		9905016-03		CARTON,DIE CUT,SELF LOCK W/FOAM		1	

REVISION HISTORY		BASIC PART NO: 5417507		DRN: S.MANSOR	DATE: 07-JUN-84	D I G I T A L		
ENG!	ECO NUMBER	REV	SECTION A OF A	CHK'D: F.GAROFALO	DATE: 1-MAR-85	TITLE PARTS LIST 13 SLOT BACKPLANE		
---	INITIAL	A	SECTION VARIATION INDEX	DES.ENG: T.ORR	DATE: 1-MAR-85	DOCUMENT NUMBER		
			[A] 01	RESP.ENG.: T.ORR	DATE: 1-MAR-85	SIZE	CODE	NUMBER
			[B]	MFG.ENG.: R.BELIVEAU	DATE: 1-MAR-85	K	PL	5417507-0-DBP
			[C]	ASSEMBLY NUMBER:	TOP DOCUMENT NUMBER:	RELEASE DATE:		04-MAR-85
			[D]	E-UA-5417507-0-0	B-DD-5417507-0-0	FILE NAME:		TW261A.PLS
			[E]			EDIT #		4
			[F]					
			[G]					
			[H]					
			[I]					
			[J]					
			[K]					
			[L]					
			[M]					
			[N]					

"THIS DRAWING AND THE SPECIFICATIONS CONTAINED HEREIN ARE CONFIDENTIAL AND PROPRIETARY. THEY ARE THE PROPERTY OF DIGITAL EQUIPMENT CORPORATION AND SHALL NOT BE REPRODUCED OR COPIED OR USED IN WHOLE OR IN PART AS THE BASIS FOR THE MANUFACTURE OR SALE OF ITEMS WITHOUT WRITTEN PERMISSION. THIS IS AN UNPUBLISHED WORK PROTECTED UNDER THE FEDERAL COPYRIGHT LAWS."

THIS DRAWING IS THE PROPERTY OF THE U.S. AIR FORCE. IT IS TO BE KEPT IN THE ORIGINAL FILE AND NOT REPRODUCED OR TRANSMITTED IN ANY FORM OR BY ANY MEANS, ELECTRONIC OR MECHANICAL, INCLUDING PHOTOCOPYING, RECORDING, OR BY ANY INFORMATION STORAGE AND RETRIEVAL SYSTEM.

A B C D E F G H I J

0



10.43 REF.

13 SEE NOTE 4

SEE NOTE 2

SEE NOTE 2

13 SEE NOTE 4

A13A2  
A13A1

J10

J11

8

8

8

21

22

23

24

J8

J9

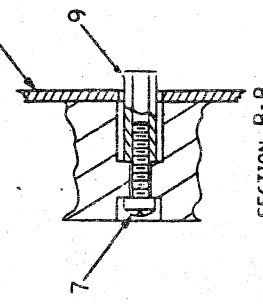
J6

J7

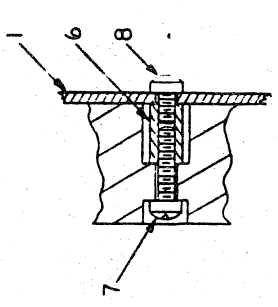
J4

J5

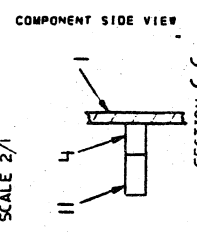
8.15  
REF.



SECTION B-B  
TYP. 8 PLACES (MARKED 'B')  
SCALE 2/1

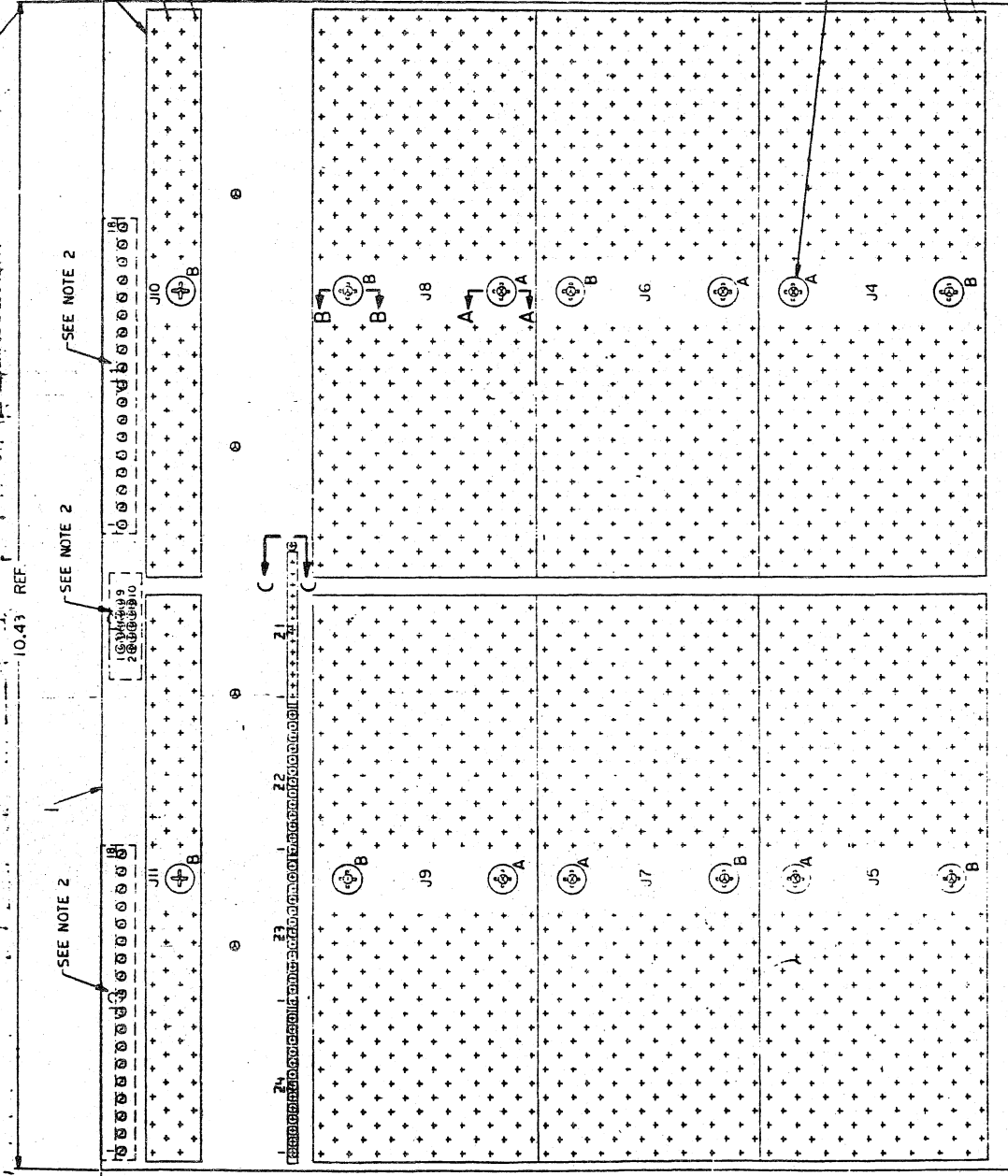


SECTION A-A  
TYP. 6 PLACES (MARKED 'A')  
SCALE 2/1



SECTION C-C  
TYP. 4 PLACES (MARKED 'C')  
NOT TO SCALE

COMPONENT SIDE VIEW



NOTES  
1. UNLESS NOTED OTHERWISE, ALL DIMENSIONS ARE IN INCHES.  
2. INSTALL J4, J5, J7, J9, J11 ON SIDE 2.  
3. REMOVE ITEMS 8 (SCREWS LABELLED 'A') AFTER WAVE SOLDER.  
4. SOLDER LEAVE 500 VDC.

CHANGE NO. REV.

SIGNATURES	DATE	digital
DESIGNED BY: [Signature]	7-1-54	
CHECKED BY: [Signature]	7-1-54	
PROJECT ENG. [Signature]	7/1/54	
PROD. R. BELIVEAU	7/1/54	
TITLE	BACKPLANE	
SIZE	BA123-A	
SCALE	1/1	
SHEET	1	
OF	1	
NEXT HIGH OR NEXT B	DD-5417507-3-0	
REF.	5417507-0-0	

11 12 13 14 15 16 17 18 19 20 21 22 23 24

DRAWING NO.	NO OF SHTS.	PART NO.	DESCRIPTION	REVISIONS															
				A1	A2														
		5416596-01	BA123-A FRONT PANEL	A1	A2														
D-UA-5416596-0-0	1		BA123-A FRONT PANEL	A	A														
D-CS-5416596-0-1	1		BA123-A FRONT PANEL	A	A														
K-PL-5416596-0-DBP	1		BA123-A FRONT PANEL	A	B														
K-PC-5416596-0-DBC			P.C. DESIGN DATA BASE	A	A														
		5016595-01	ETCHED CIRCUIT BOARD	B1	B1														
B-DD-5016595-0-0	1		DRAWING DIRECTORY	A	A														
K-SP-5416596-0-DBF	6		BA123-A FRONT PANEL	A	A														

**NOTES:**

REVISION HISTORY		DATE	ECO NO.	REV.
		6-84	INIT	A
		5-85	ML001	B

THIS DRAWING AND THE SPECIFICATIONS CONTAINED HEREIN ARE CONFIDENTIAL AND PROPRIETARY. THEY ARE THE PROPERTY OF DIGITAL EQUIPMENT CORPORATION AND SHALL NOT BE REPRODUCED OR COPIED OR USED IN WHOLE OR IN PART AS THE BASIS FOR THE MANUFACTURE OR SALE OF ITEMS WITHOUT WRITTEN PERMISSION. THIS IS AN UNPUBLISHED WORK PROTECTED UNDER THE FEDERAL COPYRIGHT LAWS. 1984



DRN. B. LENNON	DATE 27 JUN 84	TITLE BA123-A FRONT PANEL
CHK'D R. BARRIERE	DATE 27 JUN 84	
DES. ENG. J. PADGETT	DATE 27 JUN 84	
RESP. ENG. J. PADGETT	DATE 27 JUN 84	
MFG. ENG. R. BELLIVEAU	DATE 27 JUN 84	
DOCUMENT NUMBER		SIZE B DD
NUMBER 5416596-0-0		REV. B
SHEET 1 OF 1		

LINE	ITEM	TOP DOCUMENT	PART NUMBER	MIN REV	DESCRIPTION	QTY	PER VARIATION	REFERENCE DESIGNATOR
					VARIATION REVISION LEVEL:	A2		
1	1	D-MD-5016595-0-0	5016595-01		CIRCUIT DRILL AND ETCH	1		
2	2		1000021-00		220.0 MMF 100V 5%200PPM MICA	1		C1
3	3		1005636-00		22 MFD 6V 10% S.TANT	1		C2
4	4		1012784-00		.047 MFD 50V +80-20% CER	2		C3,C4
5	5		1012312-01		.47 MFD 50V +80-20% CER	1		C5
6	6		1017472-00		10 MFD 35V +75-10% AL EL	1		C6
7	7		1100114-00		PIV= 25 IO=135 MA	1		D1
8	8		1119827-01		LED,SUPERBRIGHT,RED T1 PKG	1		D2
9	9		1116622-02		LED 2.0MCD@25M	1		D3
10	10		1121248-01		GREEN LED T1 4MCD 1"LEADS	1		D4
11	11		1110864-00		LED 2MCD@10MA	2		D5,D6
12	12		1218945-03		SW,PB,LT 1PST NO-MOMENTARY .25A	1		S1
13	13		1218945-01		SW,PB,LT 1PST NO-MAINTAIN .25A	1		S2
14	14		1217310-07		SW,DIP 2POS/1PST 5VDC100MA S	1		S3
15	15		1216832-07		*** THIS ITEM IS NOT USED ***	-		
16	16		1219918-01		SKT,SWITCH 4PIN RT ANGLE	2		XS1,XS2
17	17		1300250-00		150.0 .25 W 5.0 % CF	1		R1
18	18		1311523-00		110.0 .25 W 5.0 % CF	1		R2
19	19		1300271-00		220.0 .25 W 5.0 % CF	1		R3
20	20		1302388-00		2.0 K .25 W 5.0 % CF	4		R4,R5,R6,R7
21	21		1300479-00		10.0 K .25 W 5.0 % CF	4		R10-R13
22	22		1302514-00		39.0 K .25 W 5.0 % CF	2		R14,R15
23	23		1302466-00		100.0 K .25 W 5.0 % CF	1		R16
24	24		1300391-00		1.50 K .25 W 5.0 % CF	2		R8,R9
25	25		1914987-00		8641-2 TRANSCEIVER,UNIBUS,QU	1		E1
26	26		1912858-00		LS221 ONE SHOT-DUAL,SCHMIT	1		E2
27	27		1914156-01		LM 393AN VOLT COMPARATOR,DUA	1		E3
28	28	D-MD-7430089-0-DBU	7430089-01		HOLDER,L.E.D.,SINGLE	1		
29	29		1209941-05		PCB,HEADER 10PIN(2X10).100CC 90D	1		J1
30	30		1209941-04		PCB,HEADER LATCH	1		

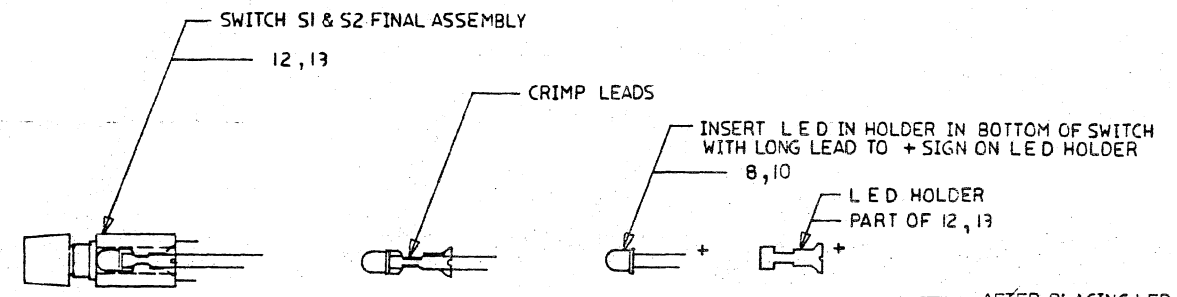
REVISION HISTORY		BASIC PART NO: 5416596		DRN:	M. FUNARO	DATE:	16-MAR-84	D I G I T A L			
ENG!	ECO NUMBER	REV	SECTION A OF A	CHK'D:	D. BARRIERE	DATE:	16-MAR-84	TITLE PARTS LIST			
JP	INITIAL	A	SECTION VARIATION INDEX					BA123-A FRONT PANEL			
JP	5416596-ML001	B	[A] 01					DOCUMENT NUMBER			
			[B]					SIZE	CODE	NUMBER	REV
			[C]	DES.ENG:	J. PADGETT	DATE:	16-MAR-84	K	PL	5416596-0-DBP	B
			[D]					RELEASE DATE: 01-MAY-85			
			[E]	RESP.ENG.:	J. PADGETT	DATE:	16-MAR-84				
			[F]								
			[H]	MFG.ENG.:	R. BELIVEAU	DATE:	18-MAY-84				
			[J]								
			[K]	ASSEMBLY NUMBER:		TOP DOCUMENT NUMBER:		FILE NAME:		EDIT #	
			[L]	D-UA-5416596-0-0		B-DD-5416596-0-0		Z9241B.PLS		15	
			[M]								
			[N]								

"THIS DRAWING AND THE SPECIFICATIONS CONTAINED HEREIN ARE CONFIDENTIAL AND PROPRIETARY. THEY ARE THE PROPERTY OF DIGITAL EQUIPMENT CORPORATION AND SHALL NOT BE REPRODUCED OR COPIED OR USED IN WHOLE OR IN PART AS THE BASIS FOR THE MANUFACTURE OR SALE OF ITEMS WITHOUT WRITTEN PERMISSION. THIS IS AN UNPUBLISHED WORK PROTECTED UNDER THE FEDERAL COPYRIGHT LAWS."

LINE ITEM	TOP DOCUMENT	PART NUMBER	MIN REV	DESCRIPTION	QTY PER VARIATION	REFERENCE DESIGNATOR
31	31	1209941-03		PCB,HEADER LATCH	01 A2 1	

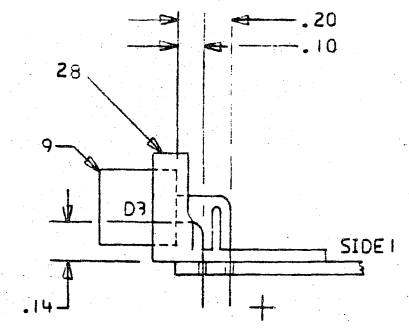
D I G I T A L	TITLE	BA123-A FRONT PANEL	SECTION A OF A	SIZE	CODE	DOCUMENT NUMBER	REV
				K	PL	5416596-0-DBP	B

THIS DRAWING AND SPECIFICATIONS, HEREIN, ARE THE PROPERTY OF DIGITAL EQUIPMENT CORPORATION AND SHALL NOT BE REPRODUCED OR COPIED OR USED IN WHOLE OR IN PART WITHOUT THE WRITTEN PERMISSION OF DIGITAL EQUIPMENT CORPORATION

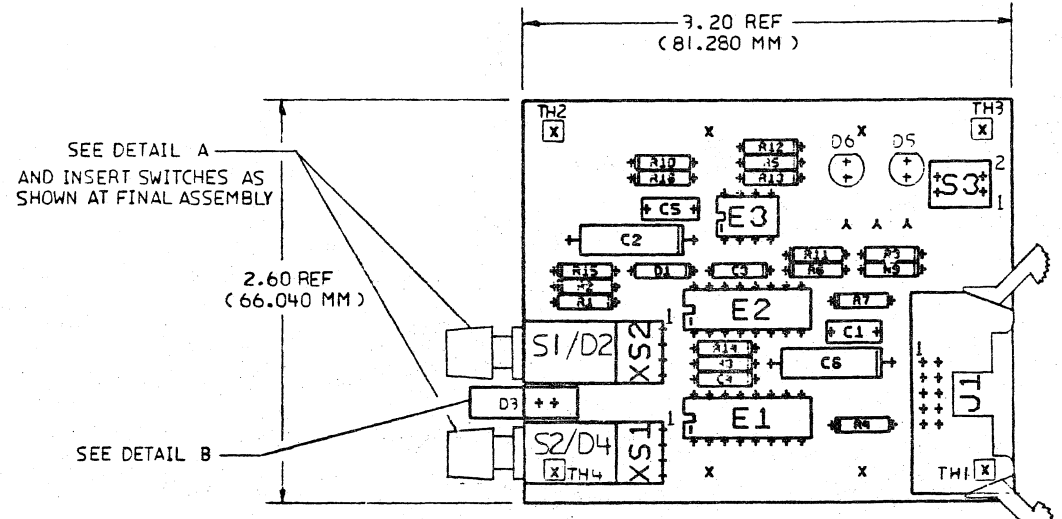


DETAIL A  
NOT TO SCALE

⊖ AFTER PLACING LED ASSY IN SWITCH ASSY AS SHOWN TURN CLOCKWISE 1/4 TURN  
⊕ REF S1, S2



DETAIL B  
NOT TO SCALE



NOTES: 1. THIS BOARD MEETS UL REQUIREMENT FOR L.P.A.R.  
2. COMPONENTS MOUNT ON SIDE 1.

STEP	↑ Y AXIS	STEP	TIMES
REPEAT	→ X AXIS	STEP	TIMES

CHK	CHANGE	NO	REV

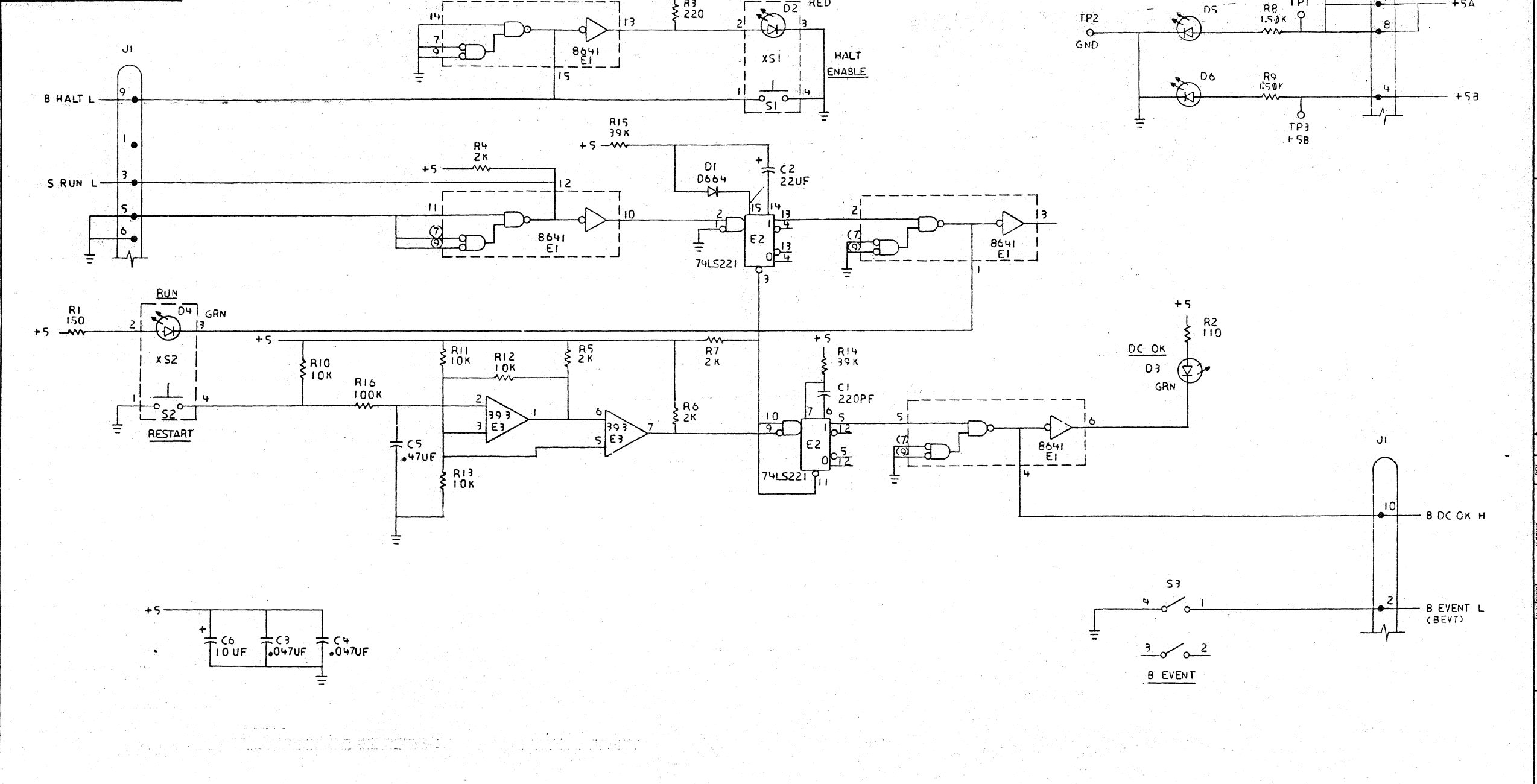
ETCH REV. B1
--------------

SIGNATURES		DATE	digital
DRN. S. S. S.	7/10/84		
CHK. D. S. S.	7/10/84		
MECH. ENG. James P. ...	7/12/84		TITLE BAI23-A
PROJ. ENG. ...	7/13/84		FRONT PANEL
PROD. ...	7/15/84		
SCALE 2:1		SIZE CODE	NUMBER
SHT. 1 OF 1		0	UA5416596-0-C A
TOP DCC NO. B-DD-5416596-0-0			REV

8 7 6 5 4 3 2 1

THIS DRAWING AND SPECIFICATIONS HEREIN ARE THE PROPERTY OF DIGITAL EQUIPMENT CORPORATION AND SHALL NOT BE REPRODUCED OR COPIED OR USED IN WHOLE OR IN PART AS THE BASIS FOR THE MANUFACTURE OR SALE OF ITEMS WITHOUT WRITTEN PERMISSION. COPYRIGHT © 1974 DIGITAL EQUIPMENT CORPORATION

REV. A  
DCS 5416596-0-1



REV.	DATE	ECO NUMBER

DRN: <i>S. D'Angelo</i>	DATE: 3-30-84	TITLE: digital
CHKD: <i>James P. Smith</i>	DATE: 7-7-84	BA123-A
DES. ENG: <i>James P. Smith</i>	DATE: 7-7-84	FRONT PANEL
RESP. ENG: <i>James P. Smith</i>	DATE: 7-9-84	DOCUMENT NUMBER
WFO. ENG: <i>James P. Smith</i>	DATE: 7-12-84	SIZE CODE NUMBER REV.
NET. FROM DOC: B-D0-5416596-0-0		DCS 5416596-0-1 A
		SCALE: SHEET 1 OF 1

8 7 6 5 4 3 2 1

D C B A





AUTOMATED BY PRTLST.5R(55)

PARTS LIST

SHEET A1 OF A1

LINE	ITEM	TOP DOCUMENT	PART NUMBER	MIN REV	DESCRIPTION	QTY PER VARIATION	REFERENCE DESIGNATOR
					VARIATION REVISION LEVEL:	A1	
1	1	D-MD-5016664-0-0	5016664-01		CIRCUIT DRILL & ETCH	1	
2	2		1324146-01		500.0 5.0 % THERM	1	R1
3	3		1223681-03		THERMOSTAT,NO C@ 50C	1	TS1
4	4		1211342-04		MATE-N-LOK 04PIN(1X04).200CC HDR	1	J1
5	5		1211342-02		MATE-N-LOK 02PIN(1X02).200CC HDR	1	J2
6	6		9007254-00		TRANSIPADS #10146	2	

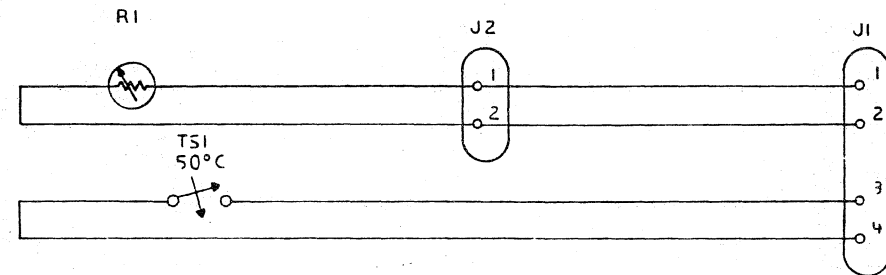
REVISION HISTORY			BASIC PART NO: 5416665			DRN: T. ORR			DATE: 25-OCT-84			D I G I T A L			
ENG	ECO NUMBER	REV	SECTION A OF A			CHK'D: D. BARRIERE			DATE: 25-OCT-84			TITLE PARTS LIST			
TO	INITIAL	A	SECTION VARIATION INDEX			DES.ENG: T. ORR			DATE: 25-OCT-84			DOCUMENT NUMBER			
			[A]	01		RESP.ENG.: T. ORR			DATE: 25-OCT-84			SIZE	CODE	NUMBER	REV
			[B]			MFG.ENG.: B. LAIDMAN			DATE: 25-OCT-84			K	PL	5416665-0-DBP	A
			[C]			ASSEMBLY NUMBER:			TOP DOCUMENT NUMBER:			FILE NAME:			
			[D]			D-UA-5416665-0-0			B-DD-5416665-0-0			ML247A.PLS			
			[E]									RELEASE DATE: 31-OCT-84			
			[F]												
			[H]												
			[J]												
			[K]												
			[L]												
			[M]												
			[N]												
												EDIT #			
												3			

"THIS DRAWING AND THE SPECIFICATIONS CONTAINED HEREIN ARE CONFIDENTIAL AND PROPRIETARY. THEY ARE THE PROPERTY OF DIGITAL EQUIPMENT CORPORATION AND SHALL NOT BE REPRODUCED OR COPIED OR USED IN WHOLE OR IN PART AS THE BASIS FOR THE MANUFACTURE OR SALE OF ITEMS WITHOUT WRITTEN PERMISSION. THIS IS AN UNPUBLISHED WORK PROTECTED UNDER THE FEDERAL COPYRIGHT LAWS."



THIS DRAWING AND SPECIFICATIONS HEREIN ARE THE PROPERTY OF DIGITAL EQUIPMENT CORPORATION AND SHALL NOT BE REPRODUCED OR COPIED OR USED IN WHOLE OR IN PART AS THE BASIS FOR THE MANUFACTURE OR SALE OF ITEMS WITHOUT WRITTEN PERMISSION.  
 COPYRIGHT © 1984  
 DIGITAL EQUIPMENT CORPORATION

1-0-5999145 DCS 5416665-0-1 A



REV.	ECO NUMBER	DATE

DRG. <i>L. S. Angeles</i>	DATE 29 OCT 84	TITLE	digital
CHKD. <i>D. Basine</i>	DATE 24 Oct 84	TEMP SENSOR BD	
DES. ENGR. <i>J. P. Platt</i>	DATE 13 OCT 84		
TEMP. ENGR. <i>J. Platt</i>	DATE 13 OCT 84	DOCUMENT NUMBER	
DATE <i>21-11-84</i>	DATE	SIZE	COOR. NUMBER
TOP DOC NO. B-DD-5416665-0	SCALE	SHEET	OF

1-0-5999145 DCS 5416665-0-1 A



